

PLEASE CHECK WWW.MOLEX.COM FOR LATEST PART INFORMATION

Part Number: [0358170274](#)
Status: **Active**
Description: 14.50mm (.570") Pitch MP-Lock™ Housing, 2 Circuits, for 4.75mm (.817") Tab, PBT Polyester, Blue

Documents:

[Drawing \(PDF\)](#)

[Product Specification PS-35817-001 \(PDF\)](#)

[RoHS Certificate of Compliance \(PDF\)](#)

General

Product Family	Crimp Housings
Series	35817
Product Name	MP-Lock™

Physical

Circuits (maximum)	2
Gender	Female
Glow-Wire Compliant	No
Lock to Mating Part	None
Number of Rows	1
Packaging Type	Bag
Panel Mount	No
Pitch - Mating Interface (in)	0.571 In
Pitch - Mating Interface (mm)	14.50 mm
Stackable	Yes
Temperature Range - Operating	-40°C to +120°C

Electrical

Current - Maximum per Contact	12A
-------------------------------	-----

Material Info

Reference - Drawing Numbers

Product Specification	PS-35817-001
Sales Drawing	SD-35817-002

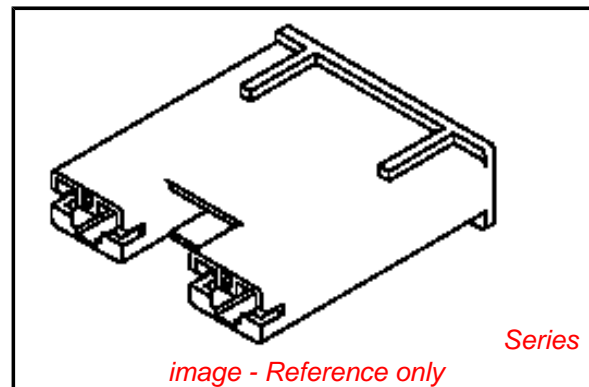


image - Reference only

EU RoHS

**ELV and RoHS
Compliant**

REACH SVHC

Not Reviewed

Halogen-Free

Status

Not Reviewed

China RoHS



**Need more information on product
environmental compliance?**

Email productcompliance@molex.com
 For a multiple part number RoHS Certificate of
 Compliance, [click here](#)

Please visit the [Contact Us](#) section for any
 non-product compliance questions.

Search Parts in this Series

[35817Series](#)

Mates With

Appliance Timer|Temperature Switch|
 Appliance Capacitor|Appliance Heater

Use With

[35068](#) Female Terminal

DO NOT SCALE DRAWING
DIMENSION IN METRIC

DWG. NO.
SD-35817-002

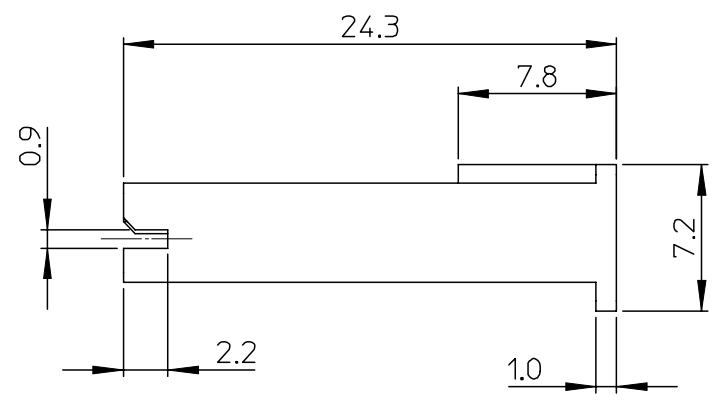
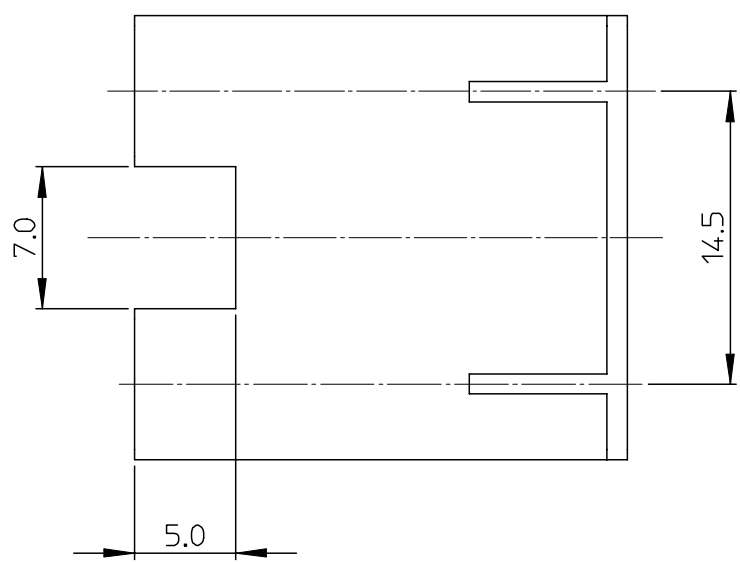
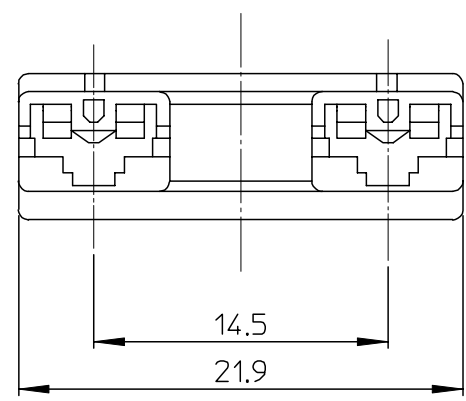
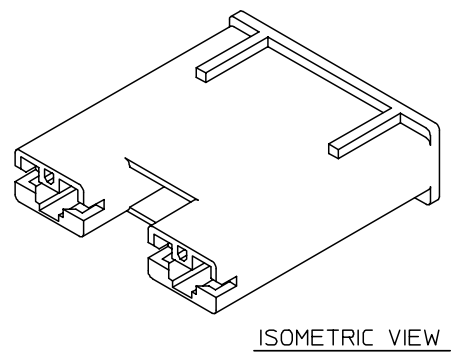
SIMILAR ITEM

PROJECT NO.

B

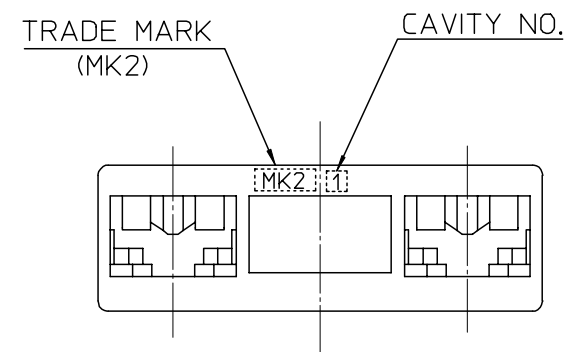
C

DO NOT SCALE DRAWING
DIMENSION IN METRIC



NOTES

- MATERIAL : POLYESTER(PBT)
NATURAL COLOR : 35817-0270
BLUE COLOR : 35817-0274
- APPLICABLE TERMINAL : 35068-9702/9802/9902



NEW RELEASED ECN NO. KR2003-0060 DRWN: C.B.CHIN 03/06/03 CHK: W.Y.YANG APPR: C.W.LEE	DESCRIPTION MAJOR △ = 0 CRITICAL ▽ = 0	GENERAL TOLERANCES: (UNLESS SPECIFIED)		SCALE 4:1	DESIGN UNITS <input checked="" type="checkbox"/> mm <input type="checkbox"/> INCH	<input checked="" type="checkbox"/> THIRD ANGLE <input type="checkbox"/> FIRST ANGLE PROJECTION	DIMENSIONS: <input type="checkbox"/> mm <input type="checkbox"/> INCH <input checked="" type="checkbox"/> mm ONLY		SHT	REV
		4 PLACES ±0.	±-	INCH	±-	DRAWN BY & DATE C.B.CHIN 03/03/31	TITLE: .187 MP-LOCK HOUSING-2P(14.5mm PITCH) (FOR CAPACITOR)			
A	REV	3 PLACES ±0.	±-	mm	±-	CHECKED BY & DATE W.Y.YANG 03/03/31	MOLEX INCORPORATED			
		2 PLACES ±0.30	±-	mm	±-	APPROVED BY & DATE C.W.LEE 03/03/31	MATERIAL NO. SEE NOTES		DRAWING NO. SD-35817-002	SHEET NO. 1 OF 1
		1 PLACE ±0.30	±-	mm	±-	CAD FILENAME S358170270.MI				
		ANGULAR: ± °								
		DRAFT WHERE APPLICABLE MUST REMAIN WITHIN DIMENSIONS								SIZE B