

PLEASE CHECK WWW.MOLEX.COM FOR LATEST PART INFORMATION

Part Number: [0490680710](#)
Status: **Active**
Description: 4.20mm (.165") Pitch & 6.50mm (.256") Pitch Hybrid Wire-to-Board Header 7 Pins

Documents:

[Drawing \(PDF\)](#) [RoHS Certificate of Compliance \(PDF\)](#)
[Product Specification PS-49068-001 \(PDF\)](#)

Agency Certification

UL E29179

General

Product Family PCB Headers
 Series [49014](#)
 Application Wire-to-Board
 Product Name N/A

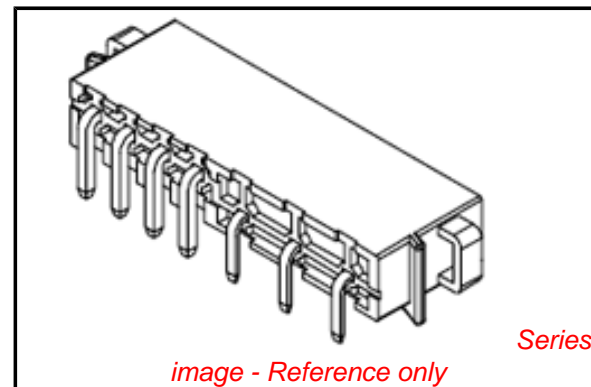
Physical

Breakaway No
 Circuits (Loaded) 7
 Circuits (maximum) 7
 Color - Resin Natural
 Durability (mating cycles max) 30
 First Mate / Last Break No
 Flammability 94V-0
 Glow-Wire Compliant No
 Guide to Mating Part No
 Keying to Mating Part None
 Lock to Mating Part Yes
 Material - Metal Brass
 Material - Plating Mating Tin
 Material - Plating Termination Tin
 Material - Resin Polyester Alloy
 Number of Rows 1
 Orientation Right Angle
 PC Tail Length (in) 0.134 In
 PC Tail Length (mm) 3.40 mm
 PCB Locator No
 PCB Retention None
 Packaging Type Bag
 Pitch - Mating Interface (in) 0.165 In, 0.220 In, 0.256 In
 Pitch - Mating Interface (mm) 4.20 mm, 5.60 mm, 6.50 mm
 Pitch - Term. Interface (in) 0.165 In, 0.220 In, 0.256 In
 Pitch - Term. Interface (mm) 4.20 mm, 5.60 mm, 6.50 mm
 Polarized to Mating Part Yes
 Polarized to PCB Yes
 Shrouded Fully
 Stackable No
 Surface Mount Compatible (SMC) No
 Temperature Range - Operating -40°C to +105°C
 Termination Interface: Style Through Hole

Electrical

Current - Maximum per Contact 7A
 Voltage - Maximum 300V AC (RMS)/DC

Material Info



EU RoHS

ELV and RoHS Compliant
REACH SVHC
 Not Reviewed
Halogen-Free Status

China RoHS



Not Reviewed
Need more information on product environmental compliance?

Email productcompliance@molex.com
 For a multiple part number RoHS Certificate of Compliance, [click here](#)

Please visit the [Contact Us](#) section for any non-product compliance questions.

Search Parts in this Series

[49014Series](#)

Mates With

[495060700 Hybrid Wire-to-Board Housing](#)

Reference - Drawing Numbers

Product Specification
Sales Drawing

PS-49068-001
SD-49068-001

This document was generated on 04/21/2010

PLEASE CHECK WWW.MOLEX.COM FOR LATEST PART INFORMATION

DWG. NO.
SD-49068-001

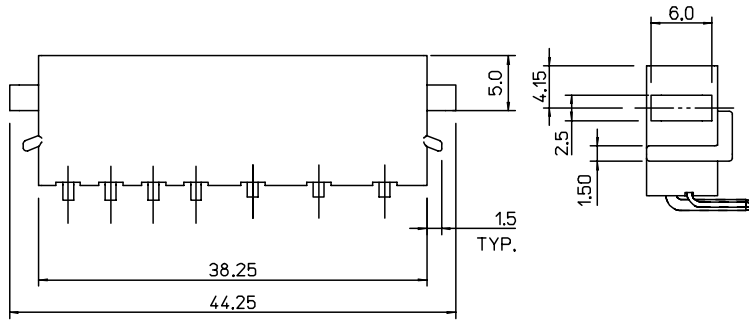
SIMILAR ITEM

PROJECT NO.

B

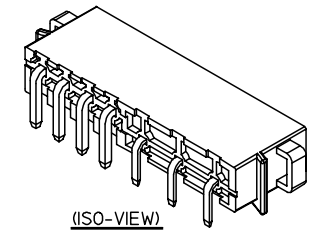
DO NOT SCALE DRAWING
DIMENSION IN METRIC

8 7 6 5 4 3 2 1



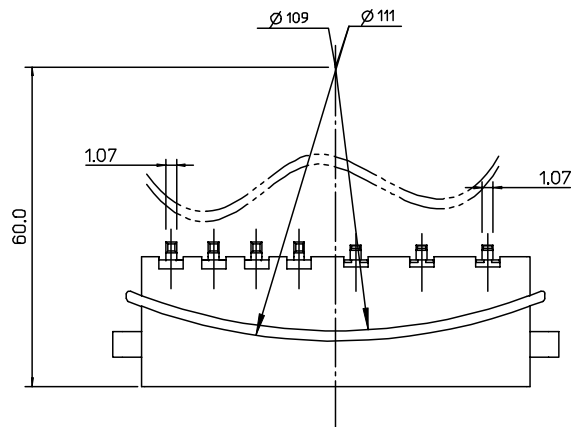
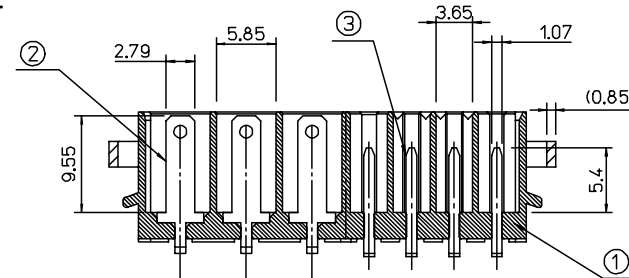
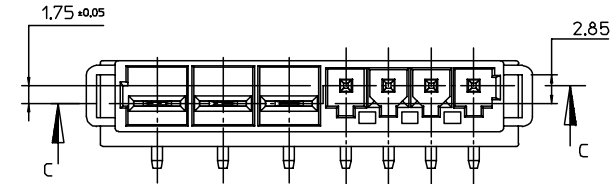
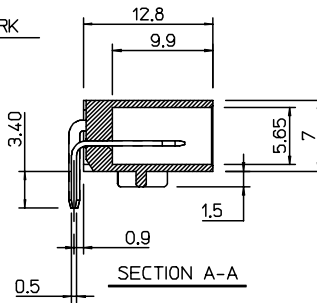
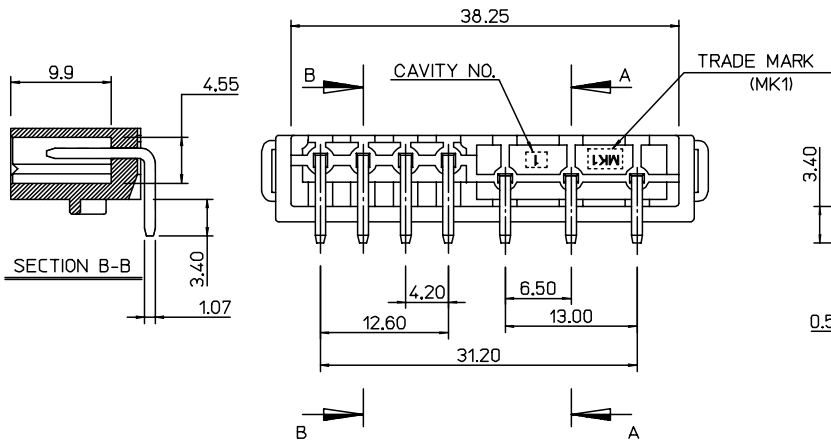
NOTES

1. MATERIAL & PART LIST : SEE [TABLE 1]
2. MATED HOUSING : 49506-0700



[TABLE 1]

HEADER ASS'Y PART		
NO.	DESCRIPTION	MATERIAL
①	WAFER BASE	POLYESTER, UL94V-0 (GWIT)
②	.110 TAB-PIN	BRASS, TIN PLATED
③	1.07 SQ PIN	BRASS, TIN PLATED



NEW RELEASE ECN NO. KOR2005-0057 DRWN: JB.JIN 04/09/15 CHK: W.Y.YANG APPR: CW.LEE	QUALITY SYMBOLS MAJOR $\nabla = 0$ CRITICAL $\nabla C = 0$	GENERAL TOLERANCES: (UNLESS SPECIFIED)		SCALE 1 : 1	DESIGN UNITS <input checked="" type="checkbox"/> mm <input type="checkbox"/> INCH	THIRD ANGLE PROJECTION	DIMENSIONS: <input type="checkbox"/> mm <input type="checkbox"/> INCH <input checked="" type="checkbox"/> mm ONLY		SHT REV	
		4 PLACES $\pm 0.$	$\pm -$	DRAWN BY & DATE C.B.CHIN 04/06/10		TITLE: HYBRID W/B CONN. HEADER ASS'Y-7P				
A	REV	3 PLACES $\pm 0.$	$\pm -$	CHECKED BY & DATE W.Y.YANG 04/06/10		MOLEX INCORPORATED				
		2 PLACES ± 0.25	$\pm -$	APPROVED BY & DATE C.W.LEE 04/06/10						
		1 PLACE ± 0.30	$\pm -$	CAD FILENAME S490680710.MI		MATERIAL NO. 490680710	DRAWING NO. SD-49068-001	SHEET NO. 1 OF 1		
DRAFT WHERE APPLICABLE MUST REMAIN WITHIN DIMENSIONS		THIS DRAWING CONTAINS INFORMATION THAT IS PROPRIETARY TO MOLEX INCORPORATED AND SHOULD NOT BE USED WITHOUT WRITTEN PERMISSION.								SIZE B

8 7 6 5 4 3 2 1 KOREA MX-A3