

**PLEASE CHECK WWW.MOLEX.COM FOR LATEST PART INFORMATION**

**Part Number:** [0494641418](#)  
**Status:** **Active**  
**Description:** 2.00mm (0.078") Drawer Connector Assembly, Dual Row, 14 Circuits, Black

**Documents:**

[Drawing \(PDF\)](#) [RoHS Certificate of Compliance \(PDF\)](#)  
[Product Specification PS-49464-001 \(PDF\)](#)

**General**

Product Family	Accessories
Series	49464
Comments	For Panel Mounting
Component Type	Adapter
Product Name	N/A

**Physical**

Circuits (Loaded)	14
Color - Resin	Black
Gender	N/A
Lock to Mating Part	No
Material - Metal	Phosphor Bronze
Material - Plating Mating	Gold
Material - Plating Termination	Tin
Material - Resin	Polyester
Number of Rows	2
Packaging Type	Bag
Temperature Range - Operating	-20°C to +105°C

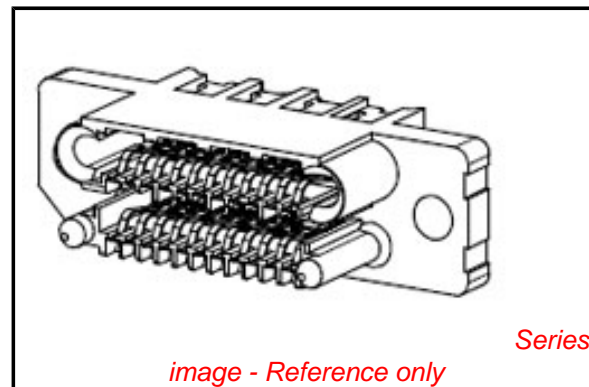
**Electrical**

Current - Maximum per Contact	2A
-------------------------------	----

**Material Info**

**Reference - Drawing Numbers**

Product Specification	PS-49464-001
Sales Drawing	SD-49464-001



*image - Reference only*

*Series*

**EU RoHS**

**ELV and RoHS  
Compliant**  
**REACH SVHC**  
 Not Reviewed  
**Halogen-Free  
Status**

**China RoHS**

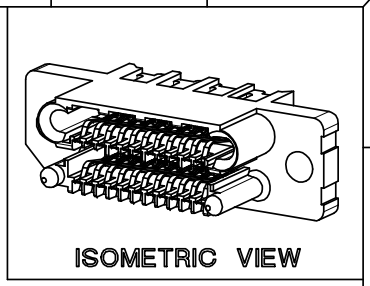
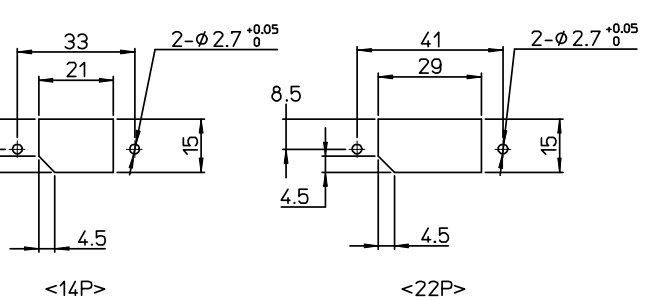
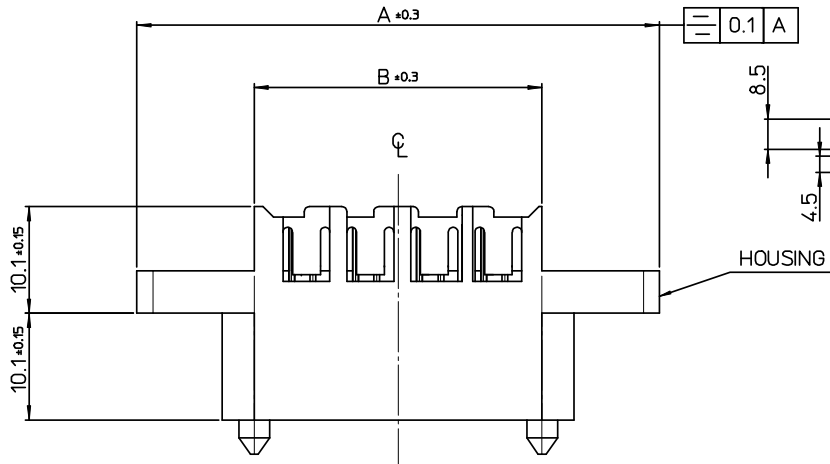


**Need more information on product  
environmental compliance?**

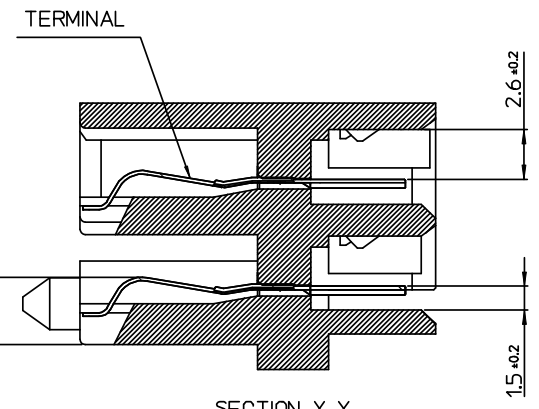
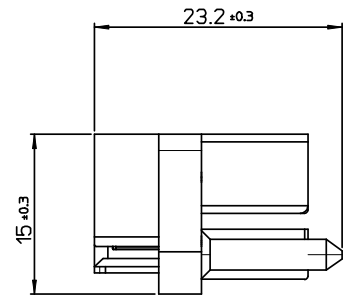
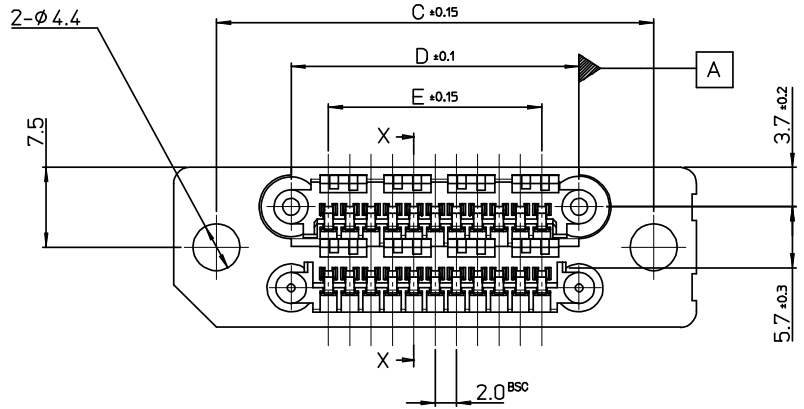
Email [productcompliance@molex.com](mailto:productcompliance@molex.com)  
 For a multiple part number RoHS Certificate of  
 Compliance, [click here](#)

Please visit the [Contact Us](#) section for any  
 non-product compliance questions.

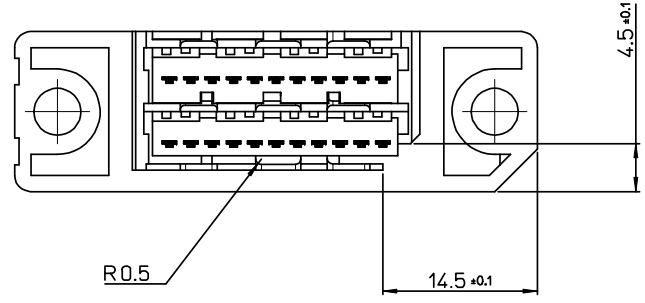
**Search Parts in this Series**  
[49464Series](#)



RECOMMENDED PANEL CUTOUT DIMENSIONS ±0.2  
CONNECTOR MATING SIDE



- NOTE
1. MATERIAL  
HOUSING PBT, BLACK  
TERMINAL : PHOSPHOR BRONZE
  2. CAMBER/BOW OF ALL SETIONS TO BE 0.2MAX.
  3. TERMINAL COPLANARITY TO BE 0.1MAX.
  4. FINISH : SELECTIVE Au 0.1 MICROMETER MIN. OVER Sn 2 MICROMETER MIN. OVER Ni 1-3 MICROMETER.



20	27	41	27	49	494642211	49464-2211	49464-2218	22
12	19	33	19	41	494641411	49464-1411	49464-1418	14
E	D	C	B	A	MATERIAL NO.	ENG. NO.	PACKAGING NO.	CKTS.

<b>NEW RELEASE</b> EC NO: KOR2009-0004 DRAWN: HJJEONG 2008/08/25 CHECKED: YS00K IM 2008/08/26 APPR: YUNSIKKIM 2008/08/26	QUALITY SYMBOLS	GENERAL TOLERANCES (UNLESS SPECIFIED)	DIMENSION STYLE	SCALE	DESIGN UNITS	TITLE <b>DRAWER CONNECOTR ASS'Y</b>
	$\nabla=0$ $\nabla=0$	mm INCH 4 PLACES ± --- ± --- 3 PLACES ± --- ± --- 2 PLACES ± 0.05 ± --- 1 PLACE ± 0.1 ± --- ANGULAR ± 1°	MM ONLY	10:1	METRIC	
	DESCRIPTION	DRAFT WHERE APPLICABLE MUST REMAIN WITHIN DIMENSIONS	DRAWN BY: YRK IM DATE: 2007/01/24 CHECKED BY: YS00K IM DATE: 2007/01/24 APPROVED BY: YS00K IM DATE: 2007/01/24	TITLE	THIRD ANGLE PROJECTION 	
	REV			MATERIAL NO.	DOCUMENT NO.	<b>MOLEX INCORPORATED</b> SD-49464-001