

PLEASE CHECK WWW.MOLEX.COM FOR LATEST PART INFORMATION

Part Number: [0546420439](#)
Status: **Active**
Description: 0.80mm (.031") Pitch IEEE 1394a-2000 Shielded I/O PCB Socket, Right Angle, Mini Type, Lead-free

Documents:

[3D Model](#) [Product Specification PS-54642-014 \(PDF\)](#)
[Drawing \(PDF\)](#) [RoHS Certificate of Compliance \(PDF\)](#)

General

Product Family	I/O Connectors
Series	54642
Application	Wire-to-Board
Component Type	Receptacle
Product Name	IEEE 1394
Type	N/A

Physical

Boot Color	N/A
Circuits (Loaded)	4
Circuits (maximum)	4
Color - Resin	Black
Gender	Male
Lock to Mating Part	Yes
Material - Metal	Phosphor Bronze
Material - Plating Mating	Gold, Tin
Material - Plating Termination	Tin
Material - Resin	High Temperature Thermoplastic
Number of Rows	2
Orientation	Right Angle
PC Tail Length (in)	0.079 In
PC Tail Length (mm)	2.00 mm
PCB Locator	Yes
PCB Retention	Yes
PCB Thickness Recommended (in)	0.031 In
PCB Thickness Recommended (mm)	0.80 mm
Packaging Type	Tray
Panel Mount	No
Pitch - Mating Interface (in)	0.031 In
Pitch - Mating Interface (mm)	0.80 mm
Pitch - Term. Interface (in)	0.031 In
Pitch - Term. Interface (mm)	0.80 mm
Plating min: Mating (µin)	30.4, 36
Plating min: Mating (µm)	0.76, 0.90
Plating min: Termination (µin)	120, 36
Plating min: Termination (µm)	0.90, 3
Polarized to Mating Part	Yes
Polarized to PCB	Yes
Ports	1
Surface Mount Compatible (SMC)	No
Temperature Range - Operating	-25°C to +85°C
Termination Interface: Style	Through Hole
Waterproof / Dustproof	No
Wire Size AWG	N/A

Electrical

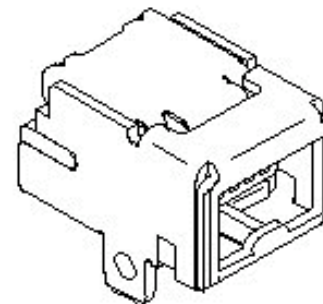


image - Reference only

Series

EU RoHS

**ELV and RoHS
Compliant**
REACH SVHC
 Not Reviewed
**Halogen-Free
Status**

China RoHS



Not Reviewed

**Need more information on product
environmental compliance?**

Email productcompliance@molex.com
 For a multiple part number RoHS Certificate of Compliance, [click here](#)

Please visit the [Contact Us](#) section for any non-product compliance questions.

Search Parts in this Series

[54642Series](#)

Mates With

[IEEE1394 4Pin Plug](#)

Current - Maximum per Contact
Shield Type
Shielded
Voltage - Maximum

0.5A
Full Shield
Yes
5V AC (RMS)/DC

Material Info

Reference - Drawing Numbers

Product Specification

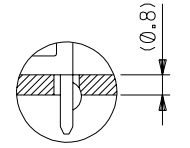
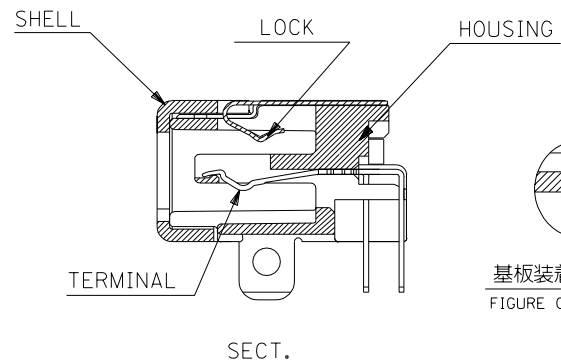
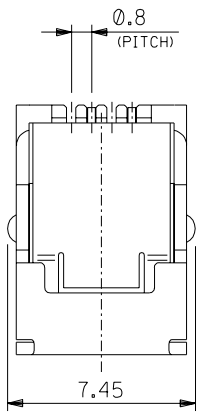
PS-54642-014, RPS-54030-038, RPS-54516-026,
RPS-54642-017

Sales Drawing

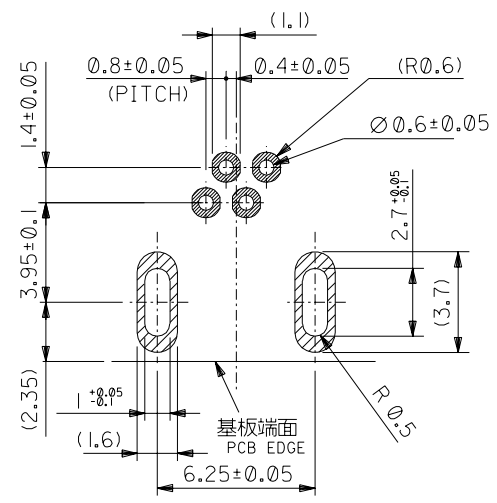
SD-54642-013

This document was generated on 04/16/2010

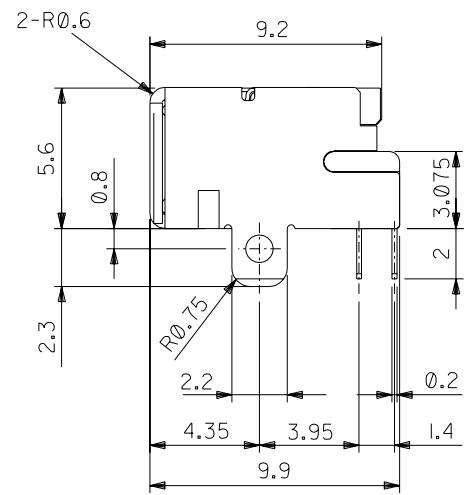
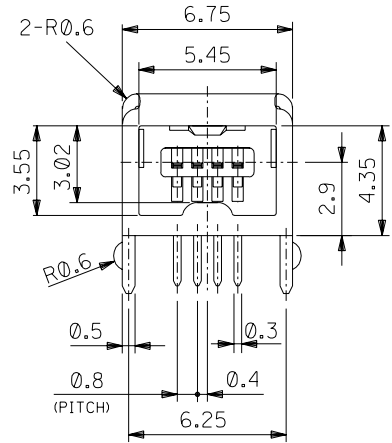
PLEASE CHECK WWW.MOLEX.COM FOR LATEST PART INFORMATION



基板装着参考図 (シェル)
FIGURE OF MOUNTING (SHELL)



推奨基板寸法 (実装面) (t = 0.8)
REFERENCE USE ONLY PCB PATTERN LAYOUT (t = 0.8)



注記
NOTES

- 材質
 - ハウジング: PA46、UL94V-0
HOUSING: PA46 UL94V-0
 - ターミナル: リン青銅 (t = 0.2)
TERMINAL: PHOSPHOR BRONZE
 - メッキ
PLATING 接点部: 金メッキ0.76 MICROMETER MIN.
CONTACT AREA: GOLD 0.76 MICROMETER MIN.
 - 半田付け部: 錫メッキ1 MICROMETER MIN.
SOLDER TAIL AREA: TIN-PLATING 1 MICROMETER MIN.
 - 下地メッキ: ニッケルメッキ2 MICROMETER MIN.
UNDER PLATING: NICKEL 2 MICROMETER MIN.
 - シェル: 鋼 (t = 0.5)
SHELL: STEEL
 - メッキ
PLATING 半田付け部: 錫メッキ1 MICROMETER MIN.
PLATING SOLDER TAIL AREA: TIN-PLATING 1 MICROMETER MIN.
 - 下地メッキ: ニッケルメッキ1.5 MICROMETER MIN.
UNDER PLATING: NICKEL 1.5 MICROMETER MIN.
 - ロック: リン青銅 (t = 0.15)
LOCK: PHOSPHOR BRONZE
 - メッキ
PLATING 錫メッキ0.9 MICROMETER MIN.
TIN-PLATING: 0.9 MICROMETER MIN.
2. 本製品は 54642-***31 の鉛フリー品である。
THIS PRODUCT IS LEAD FREE OF 54642-***31.

DO NOT SCALE DRAWING

図番 NO. DRAWN: CH'K: APPR:	図番 NO. DRAWN: CH'K: APPR:	図番 NO. DRAWN: CH'K: APPR:	図番 NO. DRAWN: CH'K: APPR:	図番 NO. DRAWN: CH'K: APPR:	図番 NO. J2004-2397 DRAWN: M.NINOMIYA CH'K: K.TOJO APPR: M.SASAO	MATERIAL 材料 SEE NOTES	GENERAL TOLERANCES: (UNLESS SPECIFIED) 一般公差 10 UNDER 未満 ±0.2 10 OVER 以上 30 UNDER 未満 ±0.25 30 OVER 以上 ±0.3	SCALE 5:1 DESIGN UNITS <input checked="" type="checkbox"/> mm <input type="checkbox"/> INCH PROJECTION 2D TITLE: 0.8 I/O CONN. SOCKET HOUSING ASSY FOR MINI -LEAD FREE-	MODEL NO. 54642-***39 DIMENSIONS: <input type="checkbox"/> mm <input type="checkbox"/> INCH <input checked="" type="checkbox"/> mm ONLY SHT REV 22 WISE ON CAD ONLY
FINISH 仕上げ SEE NOTES						WIRE RANGE 適用電線範囲 //	DRAWN BY & DATE M.NINOMIYA '04/02/12 CHECKED BY & DATE K.TOJO '04/02/12 APPROVED BY & DATE M.SASAO '04/02/12	MOLEX MOLEX INCORPORATED	CAD FILENAME SD-54642-013.S01 MATERIAL NO. SEE CHART DRAWING NO. SD-54642-013 SHEET NO. 1/1
REV 0 INS. RANGE 被覆外径 //						ANGLE 角度 ±3°	THIS DRAWING CONTAINS INFORMATION THAT IS PROPRIETARY TO MOLEX INCORPORATED AND SHOULD NOT BE USED WITHOUT WRITTEN PERMISSION.		