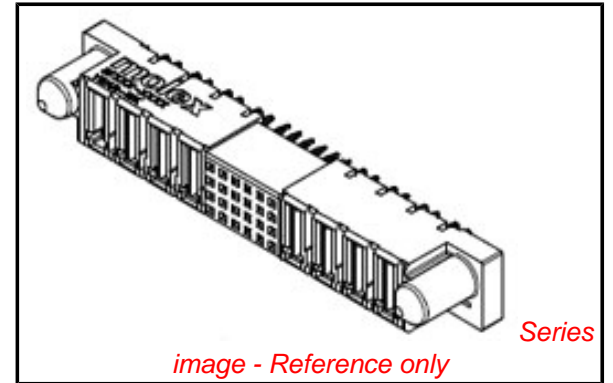


**PLEASE CHECK WWW.MOLEX.COM FOR LATEST PART INFORMATION**

**Part Number:** **0876331029**  
**Status:** **Active**  
**Overview:** extreme\_powerplus\_ssi  
**Description:** 6.35mm (.250") Pitch, Power, 2.54mm (.100") Pitch, Signal, EXTreme PowerPlus™ P-S-P Receptacle, Press-fit, Vertical, 22 Circuits, Power Beta 2, Signal 16, Power Alpha 4, No Recessed Power Circuit, without Beveled Metal Pins, Leadfree

**Documents:**

[3D Model](#) [Product Specification PS-87633-006 \(PDF\)](#)  
[Drawing \(PDF\)](#) [RoHS Certificate of Compliance \(PDF\)](#)



**General**

Product Family	PCB Receptacles
Series	87633
Application	Board-to-Board
Comments	<LI>No Recessed Power Circuits
Overview	<u>extreme_powerplus_ssi</u>
Product Name	EXTreme PowerPlus™

**Physical**

Circuits (Loaded)	22
Circuits Detail	Power Beta 2, Signal 16, Power Alpha 4
Color - Resin	Black
Durability (mating cycles max)	100
Glow-Wire Compliant	No
Guide to Mating Part	Yes
Keying to Mating Part	Yes
Material - Metal	Copper Alloy
Material - Plating Mating	Gold
Material - Plating Termination	Tin
Material - Resin	High Temperature Thermoplastic
Number of Rows	4
Orientation	Vertical
PC Tail Length (in)	0.135 In
PC Tail Length (mm)	3.43 mm
PCB Locator	No
PCB Retention	None
PCB Thickness Recommended (in)	0.093 In
PCB Thickness Recommended (mm)	2.40 mm
Packaging Type	Tray
Pitch - Mating Interface (in)	0.100 In, 0.250 In
Pitch - Mating Interface (mm)	2.54 mm, 6.35 mm
Plating min: Mating (µin)	30
Plating min: Mating (µm)	0.76
Plating min: Termination (µin)	100
Plating min: Termination (µm)	2.54
Polarized to Mating Part	Yes
Polarized to PCB	Yes
Temperature Range - Operating	-20°C to +105°C
Termination Interface: Style	Through Hole - Compliant Pin

**Electrical**

Current - Maximum per Contact	2.5A, 30A
Voltage - Maximum	50V DC

**Material Info**

**EU RoHS**

**ELV and RoHS Compliant**  
**REACH SVHC**  
 Not Reviewed  
**Halogen-Free Status**  
 Not Reviewed

**China RoHS**



**Need more information on product environmental compliance?**

Email [productcompliance@molex.com](mailto:productcompliance@molex.com)  
 For a multiple part number RoHS Certificate of Compliance, [click here](#)

Please visit the [Contact Us](#) section for any non-product compliance questions.

**Search Parts in this Series**

87633Series

**Mates With**

87631 EXTreme PowerPlus™ P-S-P Header

**Reference - Drawing Numbers**

Application Specification

Product Specification

Sales Drawing

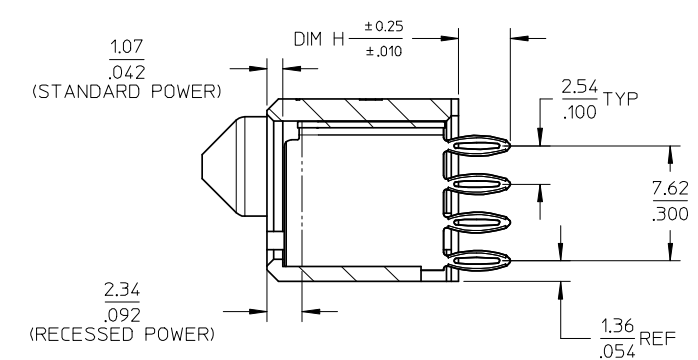
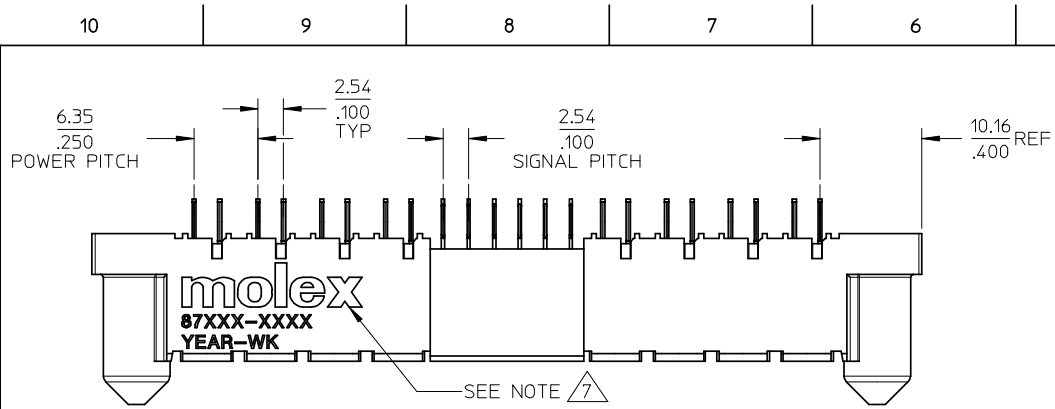
AS-87631-018, AS-87633-007

PS-87633-006

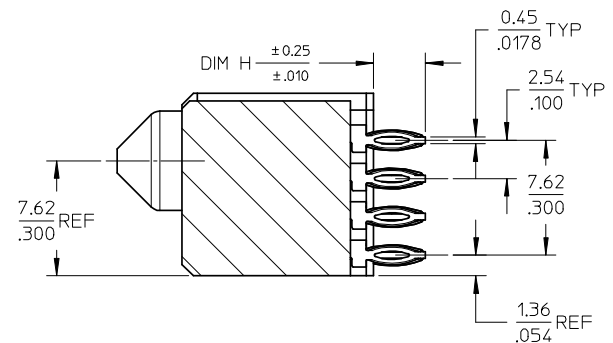
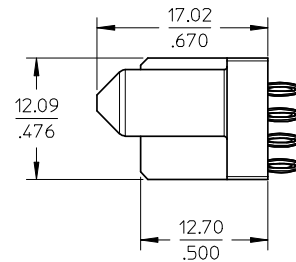
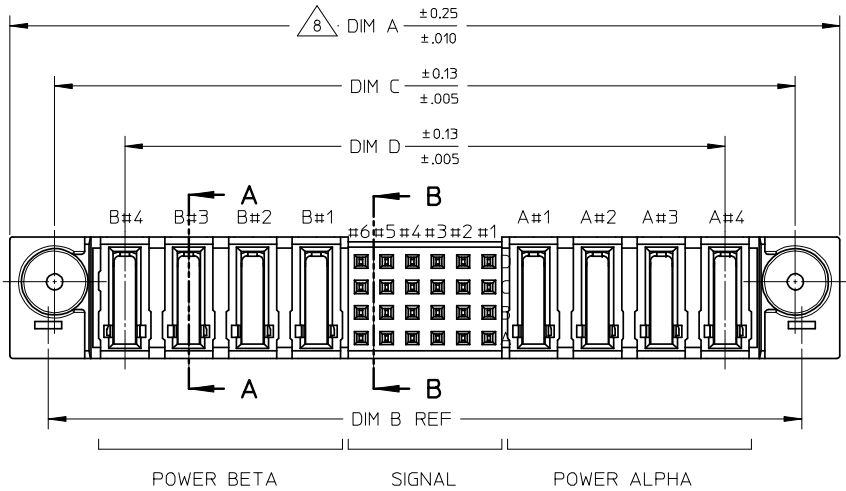
SD-87633-013

This document was generated on 05/21/2010

**PLEASE CHECK [WWW.MOLEX.COM](http://WWW.MOLEX.COM) FOR LATEST PART INFORMATION**



SECTION A-A



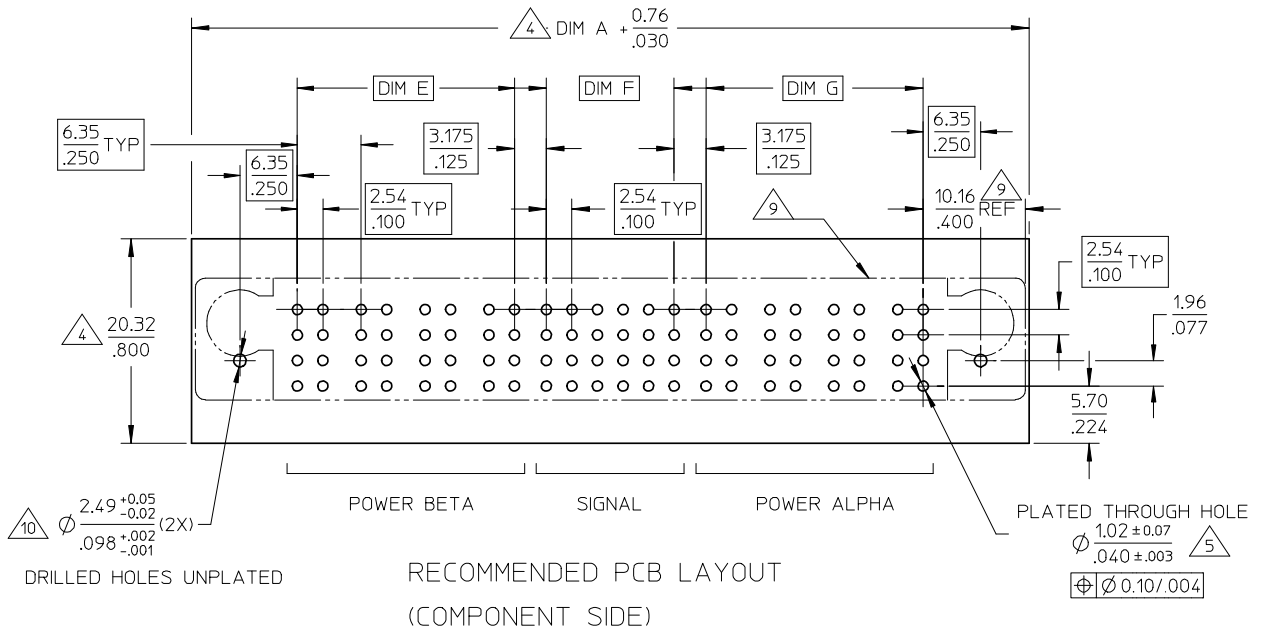
SECTION B-B

PDR#S00-1777-00-00 EC NO: S2008-0921 DRWN:SKANG CHKD:ATSEE APPR:MLONG	2008/04/15 2008/04/15 2008/04/15	DESCRIPTION C7	QUALITY SYMBOLS ▽=0 ◻=0	GENERAL TOLERANCES (UNLESS SPECIFIED) <table border="1"> <thead> <tr> <th></th> <th>mm</th> <th>INCH</th> </tr> </thead> <tbody> <tr> <td>4 PLACES</td> <td>± ---</td> <td>± ---</td> </tr> <tr> <td>3 PLACES</td> <td>± ---</td> <td>± .010</td> </tr> <tr> <td>2 PLACES</td> <td>± 0.25</td> <td>± ---</td> </tr> <tr> <td>1 PLACE</td> <td>± ---</td> <td>± ---</td> </tr> </tbody> </table>		mm	INCH	4 PLACES	± ---	± ---	3 PLACES	± ---	± .010	2 PLACES	± 0.25	± ---	1 PLACE	± ---	± ---	DIMENSION STYLE <b>MM/IN</b>	SCALE <b>NTS</b>	DESIGN UNITS <b>METRIC</b>	THIRD ANGLE PROJECTION
				mm	INCH																		
			4 PLACES	± ---	± ---																		
			3 PLACES	± ---	± .010																		
2 PLACES	± 0.25	± ---																					
1 PLACE	± ---	± ---																					
DRAWN BY KMG0H	DATE 2002/11/19	TITLE <b>POWER CONN. RECEPTACLE          P-S-P CONFIGURATION          VERT. PRESS-FIT,W/G POST</b>																					
CHECKED BY PTL IM	DATE 2002/11/21	<b>MOLEX INCORPORATED</b>																					
APPROVED BY SKTOH	DATE 2002/11/21	MATERIAL NO. <b>SEE TABLE</b>	DOCUMENT NO. <b>SD-87633-013</b>	SHEET NO. <b>1 OF 4</b>																			

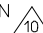
DRAFT WHERE APPLICABLE  
MUST REMAIN  
WITHIN DIMENSIONS

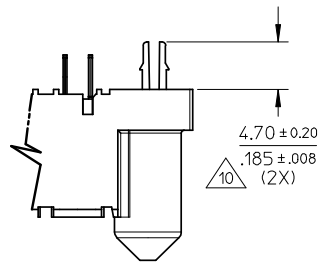
THIS DRAWING CONTAINS INFORMATION THAT IS PROPRIETARY TO MOLEX INCORPORATED AND SHOULD NOT BE USED WITHOUT WRITTEN PERMISSION

- NOTES
- 1 MATERIALS :-  
HOUSING - LCP, GLASS FILLED, UL94V-0,  
COLOR: BLACK.  
SIGNAL TERMINAL - COPPER ALLOY  
POWER TERMINAL - COPPER ALLOY
  - 2 FINISH :-  
SIGNAL & POWER CONTACTS  
0.76 MICROMETER MINIMUM GOLD (Au) AT CONTACT AREA  
AND 2.54 MICROMETER MINIMUM TIN/LEAD OR TIN AT SOLDER TAIL  
AREA OVER 1.27um MINIMUM NICKEL (Ni) UNDERPLATE.
  - 3 SPECIFICATIONS :-  
PRODUCT SPECIFICATION : PS-87633-006  
APPLICATION SPECIFICATION : AS-87633-007
  - 4 COMPONENT STAY AWAY ZONE FROM CONNECTOR.
  - 5 PCB NOTE FOR DIAMETER 1.02/.040 PLATED HOLE.  
- DRILLED HOLE SIZE IS 1.151/.0453  
- PLATED WITH 0.007/.0003 MINIMUM TIN/LEAD OR TIN OVER  
0.03/.001 TO 0.08/.003 COPPER PLATING TO ACHIEVE  
1.02±0.08/.040±.003 HOLE.
  - 6 ALL TERMINAL TIPS ARE DESIGNED WITH EXPOSED BASE COPPER.  
THIS IS CREATED BY FINAL CUTTING PROCESS AFTER PLATING.
  - 7 MANUFACTURER LOGO, PART NUMBER AND YEAR-WEEK CODE.
  - 8 4Pa-24S-4Pb CONFIGURATION IS SHOWN FOR ILLUSTRATION ONLY.  
P-S-P CONFIGURATION IS AVAILABLE UP TO 203MM/8INCH.  
PLEASE CONTACT MOLEX SALES PERSONNEL FOR OTHER  
CONFIGURATION AND OPTION NEEDED.
  - 9 IMAGINARY LINE AND DIMENSION TO POSITION AND PROVIDE  
CONNECTOR ORIENTATION WITH RESPECT TO PCB LAYOUT.
  - 10 OPTIONAL BOARDLOCK FEATURE FOR SYMETRICAL POWER CONFIG  
FULL PROOFING UPON CUSTOMER REQUEST.

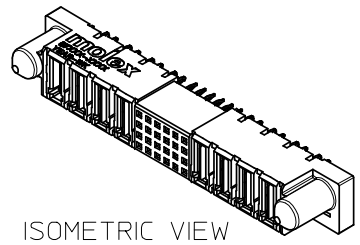


PDR# S00-1777-00-00 EC NO: S2008-0921 DRWN: SKANG 2008/04/15 CHKD: ATSEE 2008/04/15 APPR: WLONG 2008/04/15 REV C7	QUALITY SYMBOLS ▽=0 ▽=0	GENERAL TOLERANCES (UNLESS SPECIFIED)		DIMENSION STYLE MM/IN		SCALE NTS	DESIGN UNITS METRIC	THIRD ANGLE PROJECTION		
			mm	INCH	DRAWN BY KMG0H	DATE 2002/11/19	TITLE POWER CONN. RECEPTACLE P-S-P CONFIGURATION VERT. PRESS-FIT, W/G POST			
		4 PLACES	± ---	± ---	CHECKED BY PTL IM	DATE 2002/11/21	MOLEX INCORPORATED			
		3 PLACES	± ---	± .010	APPROVED BY SKTOH	DATE 2002/11/21	MATERIAL NO. SEE TABLE	DOCUMENT NO. SD-87633-013	SHEET NO. 2 OF 4	
2 PLACES ± 0.25 ± --- 1 PLACE ± --- ± ---		ANGULAR ± 3 °		DRAFT WHERE APPLICABLE MUST REMAIN WITHIN DIMENSIONS						


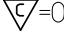
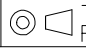
PART NUMBER	P-S-P CONFIGURATION			RECESSED POWER CIRCUIT#	DIMENSIONS								BOARDLOCK OPTION 	PACKAGING	PLATING OPTION	
	POWER BETA	SIGNAL	POWER ALPHA		A	B	C	D	E	F	G	H				
87633-8000	5	24	3	NIL	82.54 3.250	74.93 2.950	73.65 2.900	59.69 2.350	27.94 1.100	12.70 .500	15.24 .600	3.43 .135	NIL	TRAY	TIN/LEAD	
87633-8002	4	24	4	NIL	82.54 3.250	74.93 2.950	73.65 2.900	59.69 2.350	21.59 .850	12.70 .500	21.59 .850	3.43 .135				
87633-8003	3	24	3	NIL	69.84 2.750	62.23 2.450	60.95 2.400	46.99 1.850	15.24 .600	12.70 .500	15.24 .600	3.43 .135				
87633-8004	2	24	4	NIL	69.84 2.750	62.23 2.450	60.95 2.400	46.99 1.850	8.89 .350	12.70 .500	21.59 .850	3.43 .135				
87633-8005	2	48	2	A2, B2	72.38 2.850	64.77 2.550	63.49 2.500	49.53 1.950	8.89 .350	27.94 1.100	8.89 .350	3.43 .135				YES
87633-8011	7	32	6	NIL	119.38 4.700	111.76 4.400	110.48 4.350	96.52 3.800	40.64 1.600	17.78 .700	34.29 1.350	3.43 .135				NIL
87633-8013	1	12	1	NIL	36.83 1.450	29.21 1.150	27.94 1.100	13.97 .550	2.54 .100	5.08 .200	2.54 .100	3.43 .135				NIL
87633-8021	6	32	7	A1,A2,A3,A4 B1,B2,B5,B6	119.38 4.700	111.76 4.400	110.48 4.350	96.52 3.800	34.29 1.350	17.78 .700	40.64 1.600	3.43 .135				YES
87633-8022	4	4	4	NIL	69.85 2.750	62.23 2.450	60.96 2.400	46.99 1.850	21.59 .850	00.00 0.000	21.59 .850	3.43 .135				YES
87633-8014	2	16	4	A3,A4,B2	64.77 2.550	57.15 2.250	55.88 2.200	41.91 1.650	8.89 .350	7.62 .300	21.59 .850	3.43 .135				NIL

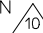


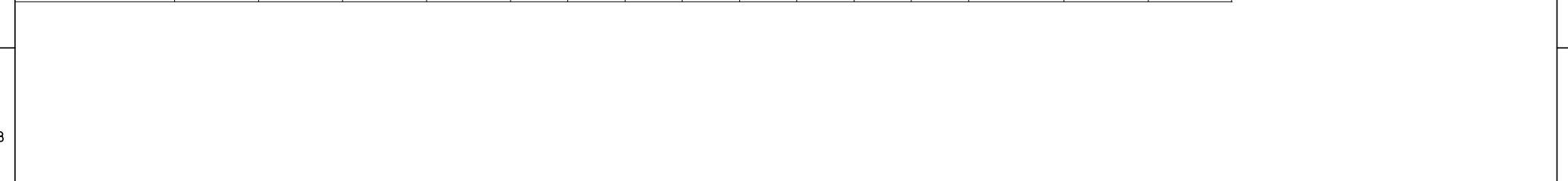
BOARDLOCK OPTION


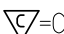




ISOMETRIC VIEW

<b>PDR#S00-1777-00-00</b> EC NO: S2008-0921 DRWN:SKANG 2008/04/15 CH'KD:ATSEE 2008/04/15 APPR:MLONG 2008/04/15	QUALITY SYMBOLS  = 0  = 0	GENERAL TOLERANCES (UNLESS SPECIFIED)		DIMENSION STYLE <b>MM/IN</b>		SCALE <b>NTS</b>	DESIGN UNITS <b>METRIC</b>	 <b>THIRD ANGLE PROJECTION</b>	
		4 PLACES ± --- ± --- 3 PLACES ± --- ± .010 2 PLACES ± 0.25 ± --- 1 PLACE ± --- ± ---	mm INCH ± --- ± --- ± 0.25 ± --- ± --- ± ---	DRAWN BY KMG0H	DATE 2002/11/19	TITLE <b>POWER CONN. RECEPTACLE          P-S-P CONFIGURATION          VERT. PRESS-FIT,W/G POST</b>			
		ANGULAR ± 3 °		CHECKED BY PTLIM	DATE 2002/11/21	MOLEX INCORPORATED			
		DRAFT WHERE APPLICABLE MUST REMAIN WITHIN DIMENSIONS		APPROVED BY SKTOH	DATE 2002/11/21	MATERIAL NO. <b>SEE TABLE</b>	DOCUMENT NO. <b>SD-87633-013</b>	SHEET NO. <b>3 OF 4</b>	

PART NUMBER	P-S-P CONFIGURATION			RECESSED POWER CIRCUIT#	DIMENSIONS								BOARDLOCK OPTION 	PACKAGING	PLATING OPTION	
	POWER BETA	SIGNAL	POWER ALPHA		A	B	C	D	E	F	G	H				
87633-1000	5	24	3	NIL	82.54 3.250	74.93 2.950	73.65 2.900	59.69 2.350	27.94 1.100	12.70 .500	15.24 .600	3.43 .135	NIL	TRAY	TIN	
87633-1002	4	24	4	NIL	82.54 3.250	74.93 2.950	73.65 2.900	59.69 2.350	21.59 .850	12.70 .500	21.59 .850	3.43 .135				
87633-1003	3	24	3	NIL	69.84 2.750	62.23 2.450	60.95 2.400	46.99 1.850	15.24 .600	12.70 .500	15.24 .600	3.43 .135				
87633-1004	2	24	4	NIL	69.84 2.750	62.23 2.450	60.95 2.400	46.99 1.850	8.89 .350	12.70 .500	21.59 .850	3.43 .135				
87633-1005	2	48	2	A2, B2	72.38 2.850	64.77 2.550	63.49 2.500	49.53 1.950	8.89 .350	27.94 1.100	8.89 .350	3.43 .135				YES
87633-1011	7	32	6	NIL	119.38 4.700	111.76 4.400	110.48 4.350	96.52 3.800	40.64 1.600	17.78 .700	34.29 1.350	3.43 .135				NIL
87633-1013	1	12	1	NIL	36.83 1.450	29.21 1.150	27.94 1.100	13.97 .550	2.54 .100	5.08 .200	2.54 .100	3.43 .135				
87633-1021	6	32	7	A1,A2,A3,A4 B1,B2,B5,B6	119.38 4.700	111.76 4.400	110.48 4.350	96.52 3.800	34.29 1.350	17.78 .700	40.64 1.600	3.43 .135				
87633-1022	4	4	4	NIL	69.85 2.750	62.23 2.450	60.96 2.400	46.99 1.850	21.59 .850	00.00 0.000	21.59 .850	3.43 .135				YES
87633-1014	2	16	4	A3,A4,B2	64.77 2.550	57.15 2.250	55.88 2.200	41.91 1.650	8.89 .350	7.62 .300	21.59 .850	3.43 .135				NIL
87633-1024	2	24	2	A2, B2	57.15 2.250	49.53 1.950	48.26 1.900	34.29 1.350	8.89 .350	12.70 .5000	8.89 .350	3.43 .135	YES			
87633-1028													NIL			
87633-1026	4	48	4	NIL	97.79 3.850	90.17 3.550	88.90 3.500	74.93 2.950	21.59 0.850	27.94 1.100	21.59 0.850	3.43 .135	YES			
87633-1029	2	16	4	NIL	64.77 2.550	57.15 2.250	55.88 2.200	41.91 1.650	8.89 .350	7.62 .300	21.59 .850	3.43 .135	NIL			



<b>PDR#S00-1777-00-00</b> EC NO: S2008-0921 DRWN:SKANG 2008/04/15 CHKD:ATSEE 2008/04/15 APPR:MLONG 2008/04/15	QUALITY SYMBOLS  = 0  = 0	GENERAL TOLERANCES (UNLESS SPECIFIED) mm      INCH 4 PLACES ± --- ± --- 3 PLACES ± --- ± .010 2 PLACES ± 0.25 ± --- 1 PLACE ± --- ± --- ANGULAR ± 3 °	DIMENSION STYLE <b>MM/IN</b> DRAWN BY: KMG0H      DATE: 2002/11/19 CHECKED BY: PTL IM      DATE: 2002/11/21 APPROVED BY: SKTOH      DATE: 2002/11/21	SCALE <b>NTS</b> DESIGN UNITS <b>METRIC</b>  THIRD ANGLE PROJECTION	TITLE <b>POWER CONN. RECEPTACLE          P-S-P CONFIGURATION          VERT. PRESS-FIT,W/G POST</b>	 <b>MOLEX INCORPORATED</b>	MATERIAL NO. <b>SEE TABLE</b>	DOCUMENT NO. <b>SD-87633-013</b>	SHEET NO. <b>4 OF 4</b>		
		DRAFT WHERE APPLICABLE MUST REMAIN WITHIN DIMENSIONS	THIS DRAWING CONTAINS INFORMATION THAT IS PROPRIETARY TO MOLEX INCORPORATED AND SHOULD NOT BE USED WITHOUT WRITTEN PERMISSION								
		<b>C7</b>	<b>A3</b>								