

PLEASE CHECK WWW.MOLEX.COM FOR LATEST PART INFORMATION

Part Number: [0885234506](#)
Status: **Active**
Overview: [fiber optic product families](#)
Description: SC/APC-to-SC/APC, Singlemode, 9/125µm/G652, Simplex, 3.00mm (.118"), Standard Fiber Optic Cable Assembly, 7.0m (22.97'))

Documents:

[Drawing \(PDF\)](#) [RoHS Certificate of Compliance \(PDF\)](#)

General

| | |
|------------------------|--|
| Product Family | Fiber Optic Assemblies |
| Series | 88523 |
| Connector to Connector | SC/APC-to-SC/APC |
| Mode | Singlemode |
| Overview | fiber optic product families |
| Product Name | SC |

Physical

| | |
|-----------------------|----------------|
| Cable Length | 7.0m (22.97') |
| Cable Size | 3.00mm (.118") |
| Fiber (Core/Cladding) | 9/125µm/G652 |
| Single Ended | No |
| Wire/Cable Type | Simplex |

Material Info

| | |
|-----------------|-------------|
| Old Part Number | 885-2345-07 |
|-----------------|-------------|

Reference - Drawing Numbers

| | |
|---------------|--------------|
| Sales Drawing | SD-88523-058 |
|---------------|--------------|

EU RoHS

**ELV and RoHS
Compliant**

REACH SVHC

Not Reviewed

Halogen-Free

Status

Not Reviewed

China RoHS



**Need more information on product
environmental compliance?**

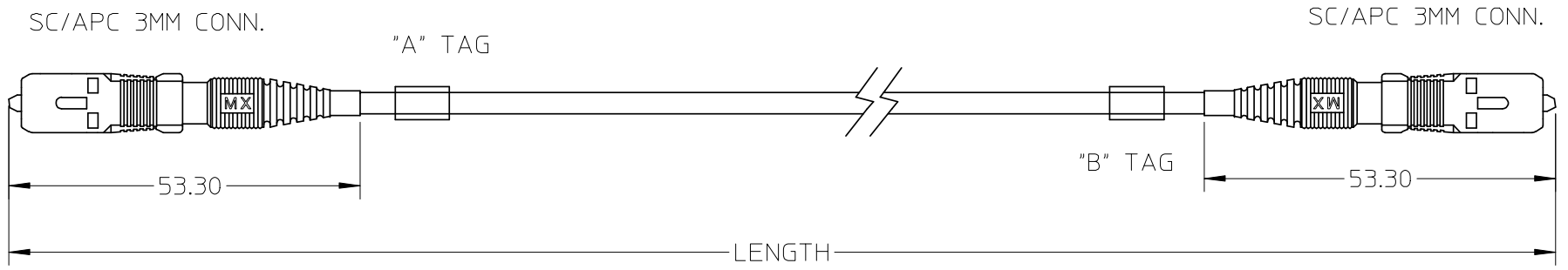
Email productcompliance@molex.com
For a multiple part number RoHS Certificate of
Compliance, [click here](#)

Please visit the [Contact Us](#) section for any
non-product compliance questions.

Search Parts in this Series

[88523Series](#)

E



D

C

B

A

NOTES:
 1. DUST CAPS ARE NOT SHOWN
 2. PER CHANNEL @ 1310nm
 IL<=0.4dB, RL>60dB

| | | |
|---|------------|-------------|
| ENTER DESCRIPTION EC NO: DG2008-0155 DRWN:XPCHEN CHKD: APPR: JOWANG | 2008/06/13 | DESCRIPTION |
| | 2008/06/13 | |
| | 2008/06/16 | |
| | REV | |

| |
|-----------------|
| QUALITY SYMBOLS |
| ▽=0 |
| ▽=0 |

| | | |
|--|-----------------|-------------|
| GENERAL TOLERANCES (UNLESS SPECIFIED) | DIMENSION STYLE | |
| | MM ONLY | |
| | mm | INCH |
| | 4 PLACES | ± --- ± --- |
| | 3 PLACES | ± --- ± --- |
| | 2 PLACES | ± --- ± --- |
| | 1 PLACE | ± --- ± --- |
| | ANGULAR ± --- ° | |
| DRAFT WHERE APPLICABLE MUST REMAIN WITHIN DIMENSIONS | | |

| | | |
|-----------|-------------------------------|----------------|
| 885234598 | SC/APC-SC/APC SIM SM 3MM 1.5M | 1500(+150/-0) |
| 885234514 | SC/APC-SC/APC SIM SM 3MM 15M | 15000(+200/-0) |
| 885234511 | SC/APC-SC/APC SIM SM 3MM 12M | 12000(+200/-0) |
| 885234509 | SC/APC-SC/APC SIM SM 3MM 10M | 10000(+200/-0) |
| 885234507 | SC/APC-SC/APC SIM SM 3MM 8M | 8000(+200/-0) |
| 885234506 | SC/APC-SC/APC SIM SM 3MM 7M | 7000(+200/-0) |
| 885234504 | SC/APC-SC/APC SIM SM 3MM 5M | 5000(+200/-0) |
| 885234503 | SC/APC-SC/APC SIM SM 3MM 6M | 6000(+200/-0) |
| 885234502 | SC/APC-SC/APC SIM SM 3MM 3M | 3000(+200/-0) |
| 885234501 | SC/APC-SC/APC SIM SM 3MM 2M | 2000(+200/-0) |
| 885234500 | SC/APC-SC/APC SIM SM 3MM 1M | 1000(+100/-0) |
| MX P/N | DESCRIPTION | LENGTH |

| | | |
|---|------------------------------|-----------------------------------|
| DRAWN BY XP | DATE 2008/06/11 | TITLE SC/APC-SC/APC SIM SM 3MM |
| CHECKED BY LISA | DATE 2008/06/11 | MOLEX INCORPORATED |
| APPROVED BY JOHNNY | DATE 2008/06/11 | |
| MATERIAL NO. SEE TABLE | DOCUMENT NO. SD-88523-058 | SHEET NO. 1 OF 1 |
| THIS DRAWING CONTAINS INFORMATION THAT IS PROPRIETARY TO MOLEX INCORPORATED AND SHOULD NOT BE USED WITHOUT WRITTEN PERMISSION | | |