



**RoHS Compliant**  
2002/95/EC  
**HSF**

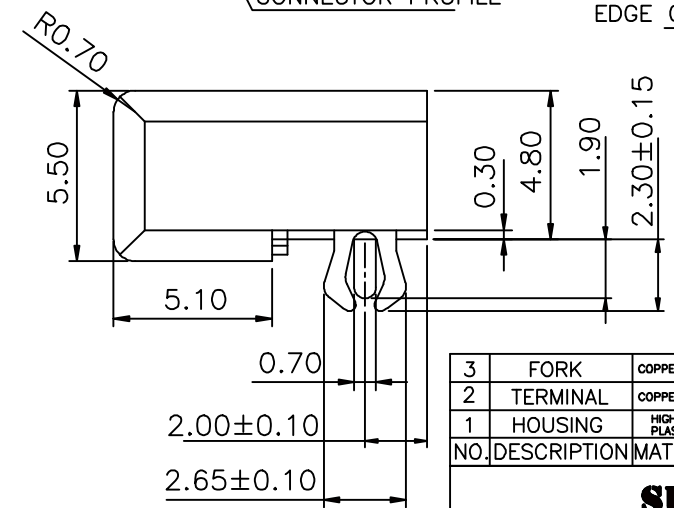
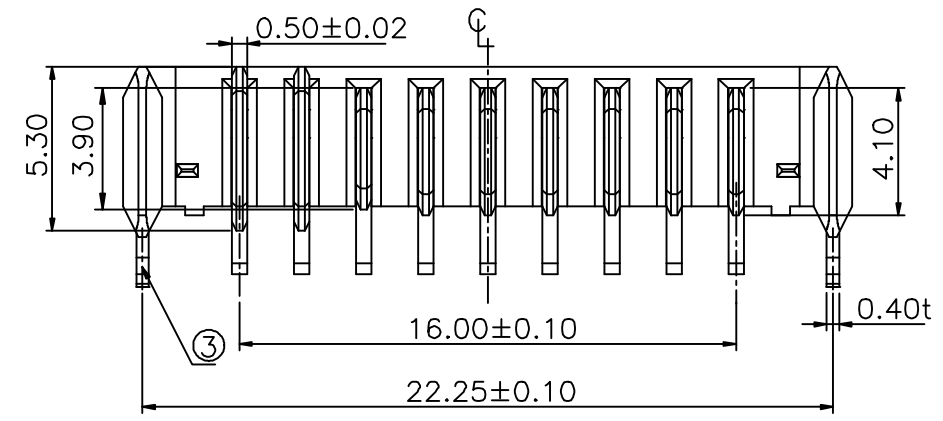
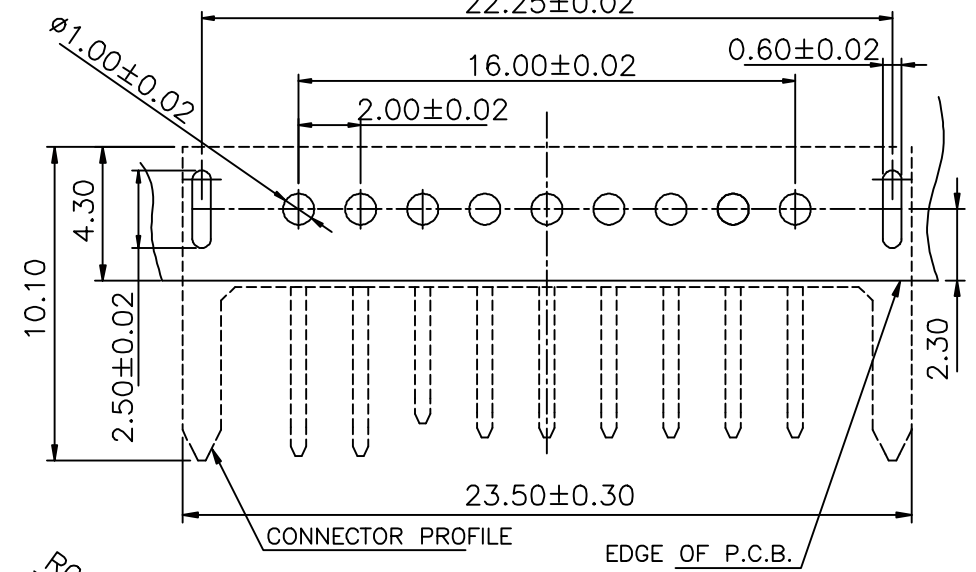
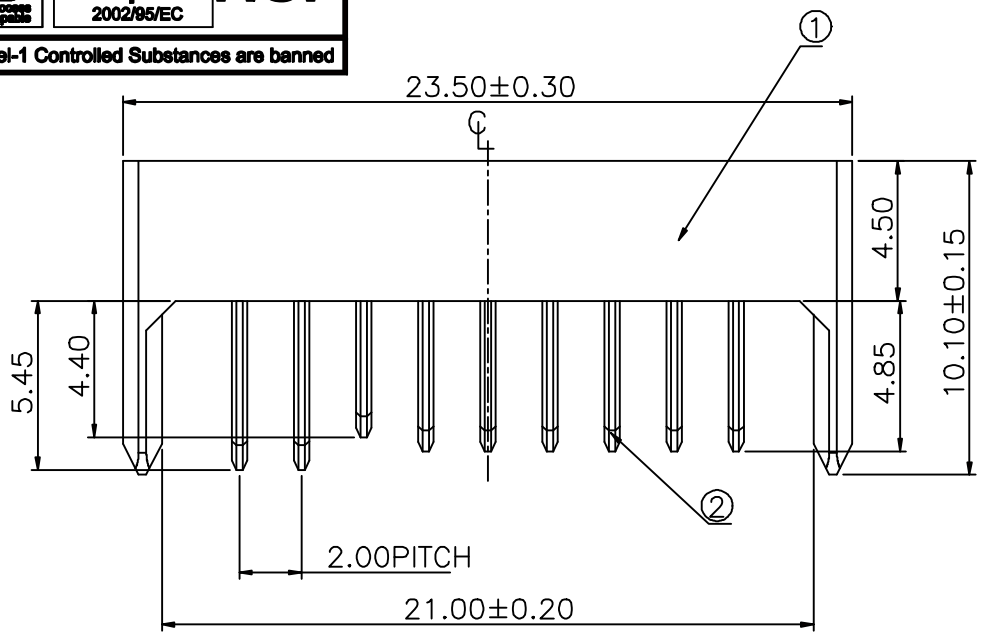
Level-1 Controlled Substances are banned

RECOMMENDED P.C.B LAYOUT (COMPONENT SIDE)

P.C.B THICKNESS=1.2mm

WITH LOCKING FUNCTION

22.25±0.02



NO.	DESCRIPTION	MATERIAL	COLOR	REMARK
3	FORK	COPPER ALLOY	—	TIN PLATED
2	TERMINAL	COPPER ALLOY	—	GOLD PLATED
1	HOUSING	HIGH TEMP PLASTIC	BLACK	UL94V-0

**SUYIN**  
CONNECTOR

CUSTOMER COPY TITLE: 2.00mm BATT.CONN.R/A HEADER

PART NO.	200045MR009G173ZR
PRODUCT SPEC.	200045MR
FILE NAME.	DING 200045MR009G173ZR-C
SCALE	4:1
UNIT:mm	A4
SHEET: 1 of 2	

ECN(DCN) NO.	REV	DATE	DESCRIPTION	CHANGE	APPRO.	GENERAL TOLERANCE UNLESS OTHERWISE NOTED	Angle	±2'	DRAW		
	0		NEW RELEASE	王 鵬 張裕奇			30 ~	±0.50	王 鵬	08'/06/18	
			NEW	賀南方 許俊賢			10 ~ 30	±0.30	王 鵬	08'/06/18	
	PO	07'/06/29					~ 10	±0.15	程夢麗	08'/06/18	
									張裕奇	08'/06/18	