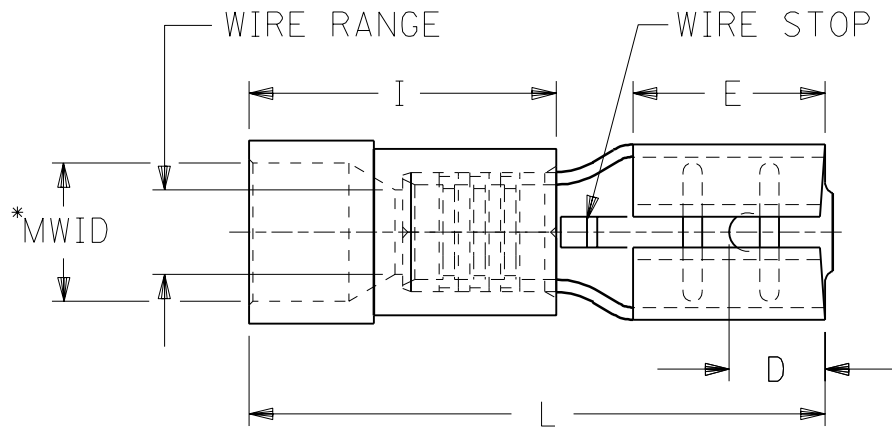
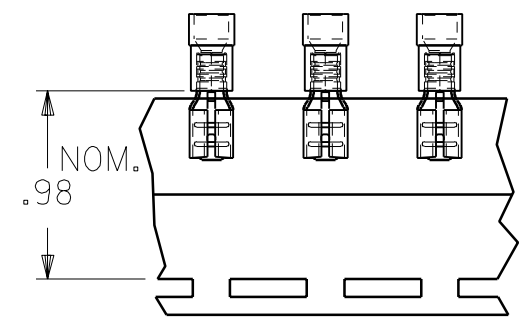


This document was generated on 04/13/2010

PLEASE CHECK WWW.MOLEX.COM FOR LATEST PART INFORMATION



DRWG. NO. CD-2901



PARTS ON TAPE

PART NUMBERS ARE FOR LOOSE PIECE, TO ORDER PARTS ON TAPE ADD A "T" TO END OF PART NUMBER.

MATERIAL: BRASS
 FINISH: ELECTRO-TIN PLATING
 INSULATION: PVC

* MWID=MAXIMUM WIRE INSULATION DIAMETER

PART NUMBER	INS. COLOR	WIRE RANGE AWG	MM ²	FITS MALE TAB SIZE	STOCK THICK.	"L" MAX.	"I" MAX.	"W" MAX.	"D" ±.01	"H" ±.01	"E" NOM.	MWID
AA-2140	RED	22-18	0.25-1.3	.250x.032	.016	.88	.41	.30	.156	.103	.31	.13
BB-2141	BLUE	16-14	1.0-2.6	.250x.032	.016	.88	.41	.30	.156	.103	.31	.14
P-2142	YELLOW	14-12	1.65-4.2	.250x.032	.016	.88	.41	.30	.156	.103	.31	.17
C-2143	YELLOW	12-10	2.6-6.6	.250x.032	.018	1.00	.56	.30	.156	.110	.31	.22
AA-2190-032	RED	22-18	0.25-1.3	.205x.032	.016	.78	.41	.251	.125	.103	.25	.13
BB-2191-032	BLUE	16-14	1.0-2.6	.205x.032	.016	.78	.41	.251	.125	.103	.25	.14
AA-2190	RED	22-18	0.25-1.3	.205x.020	.016	.78	.41	.251	.125	.086	.25	.13
BB-2191	BLUE	16-14	1.0-2.6	.205x.020	.016	.78	.41	.251	.125	.086	.25	.14
AA-2137-032	RED	22-18	0.25-1.3	.187x.032	.016	.78	.41	.24	.125	.103	.25	.13
BB-2138-032	BLUE	16-14	1.0-2.6	.187x.032	.016	.78	.41	.24	.125	.103	.25	.14
P-2139-032	YELLOW	14-12	1.65-4.2	.187x.032	.016	.78	.41	.24	.125	.103	.25	.17
AA-2137	RED	22-18	0.25-1.3	.187x.020	.016	.78	.41	.24	.125	.086	.25	.13
BB-2138	BLUE	16-14	1.0-2.6	.187x.020	.016	.78	.41	.24	.125	.086	.25	.14
P-2136	YELLOW	14-12	1.65-4.2	.187x.020	.016	.78	.41	.24	.125	.086	.25	.17

A
 ECN-P5012
 95/06/09 EMF
 ADDED .205 P/W'S
 LTR REVISIONS

REVISE ONLY ON CAD SYSTEM

TITLE
 INSULKRIMP
 QUICK DISCONNECT

CUSTOMER
 DRAWING

DRWG. BY RCM
 CHK'D. BY
 APP'D. BY
 SCALE NO:NE

moLEX ETC INC.
 PINELLAS PARK, FLA. 34665 U.S.A.
 PART NO. SEE TABLE
 FILE NAME CD2901

SHEET NO.
 DATE 11/26/90
 DRWG. NO. CD-2901
 THIS DRAWING CONTAINS INFORMATION THAT IS PROPRIETARY TO MOLEX-ETC INC. AND SHOULD NOT BE USED WITHOUT WRITTEN PERMISSION.
 DIV. SIZE A