

PLEASE CHECK WWW.MOLEX.COM FOR LATEST PART INFORMATION

Part Number: **0039000295**
Status: **Active**
Overview: [standard_093](#)
Description: 2.36mm (.093") Diameter, Standard .093" Pin and Socket Crimp Terminal, Series 1189, Female, with Gold (Au) over Nickel Plated Brass Contact, 14-20 AWG, Bag

Documents:

[Drawing \(PDF\)](#) [Product Specification PS-1189-002 \(PDF\)](#)
[Product Specification PS-1189-001 \(PDF\)](#) [RoHS Certificate of Compliance \(PDF\)](#)

General

Product Family Crimp Terminals
 Series [1189](#)
 Crimp Quality Equipment Yes
 Overview [standard_093](#)
 Product Name Standard .093"

Physical

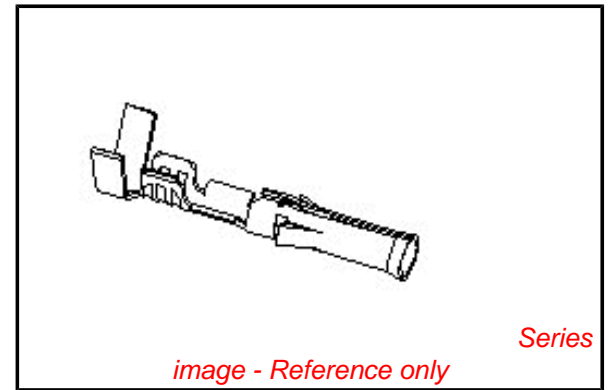
Gender Female
 Material - Metal Brass
 Material - Plating Mating Gold
 Material - Plating Termination Gold
 Packaging Type Bag
 Termination Interface: Style Crimp or Compression
 Wire Insulation Diameter 1.60-4.10mm (.063-.161")
 Wire Size AWG 14, 16, 18, 20
 Wire Size mm² N/A

Material Info

Old Part Number 1189AGL

Reference - Drawing Numbers

Product Specification PS-1189-001, PS-1189-002
 Sales Drawing SD-1189*



EU RoHS

**ELV and RoHS
Compliant**
REACH SVHC
 Not Reviewed
**Halogen-Free
Status**

China RoHS



Not Reviewed

**Need more information on product
environmental compliance?**

Email productcompliance@molex.com
 For a multiple part number RoHS Certificate of Compliance, [click here](#)

Please visit the [Contact Us](#) section for any non-product compliance questions.

Search Parts in this Series

[1189Series](#)

Use With

[3191r](#)

Application Tooling | FAQ

Tooling specifications and manuals are found by selecting the products below. Crimp Height Specifications are then contained in the Application Tooling Specification document.

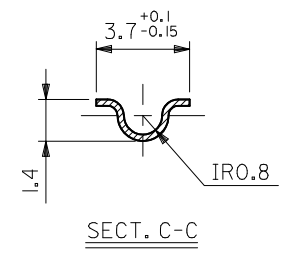
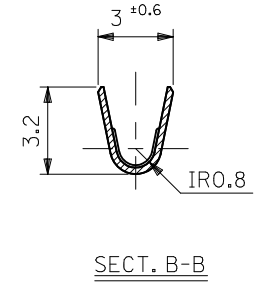
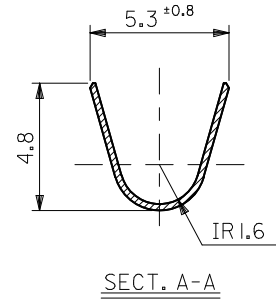
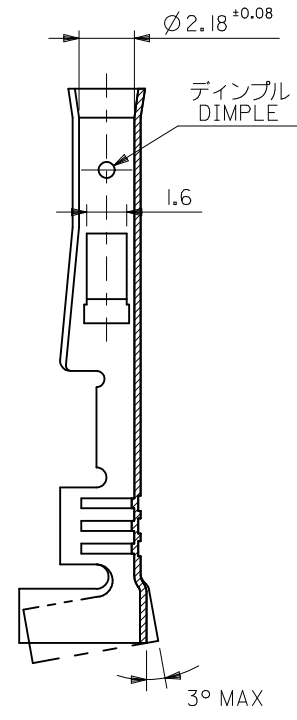
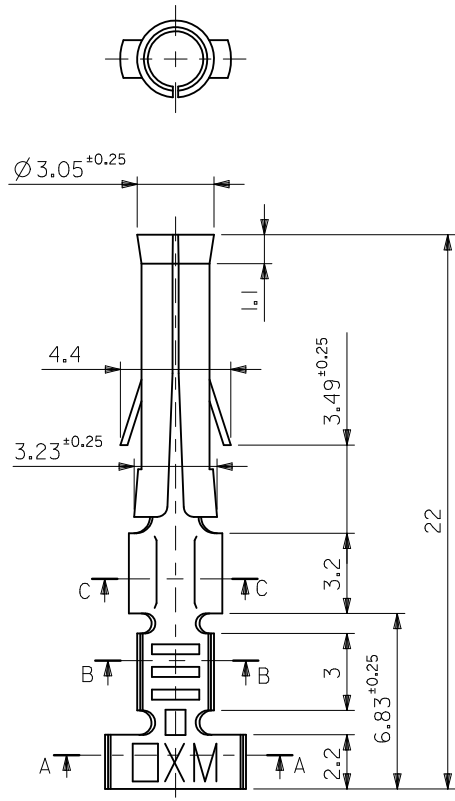
Global

Description	Product #
Hand Crimp Tool	0638191100
Extraction Tool	0011030006

Japan

Description	Product #
Hand Crimp Tool	0011260006
JHTR1031C	
Hand Extraction Tool	0011260029

PLEASE CHECK WWW.MOLEX.COM FOR LATEST PART INFORMATION



注記 NOTES:
 1. 一般公差 : ±0.4
 GENERAL TOLERANCES: ±0.4

材料 MATERIAL	黄銅 BRASS	0.264t
適用電線範囲 WIRE RANGE	AWG# 14-#20	
被覆外径 INS. RANGE	∅ 1.6~4.1	

REVISED	DESCRIPTION
EC NO: J2010-2186	
DRW:RTSURIJOKA 2010/05/17	
CHK:D:THARUYAMA 2010/05/17	
APP:R:HHIRATA 2010/05/21	
J	REV

GENERAL TOLERANCES (UNLESS SPECIFIED)	
10 UNDER	± ---
10 OVER 30 UNDER	± ---
30 OVER	± ---
ANGULAR	± --- °
DRAFT WHERE APPLICABLE MUST REMAIN WITHIN DIMENSIONS	

DIMENSION STYLE	
MM ONLY	
DRAWN BY	DATE
HHASEGAWA	1993/07/06
CHECKED BY	DATE
HHIRAMOTO	1993/07/06
APPROVED BY	DATE
MFUKUSHIMA	1993/07/06
MATERIAL NO.	
SEE TABLE	
SIZE	A3

SCALE	5:1
DESIGN UNITS	METRIC
THIRD ANGLE PROJECTION	☉
TITLE	.093 DIA.FEMALE TERM.
DOCUMENT NO.	SD-1189-002
SHEET NO.	1 OF 1

メッキ PLATING	デンプル有無 WITH DIMPLE	EDP.NO.	ENG.NO.	形状 FORM
ニッケル (2 μm MIN.) 下地 金 (0.35 μm MIN.) GOLD (0.35 μm MIN.) OVER NICKEL (2 μm MIN.)	無 NO	39-00-0295	1189AGL	バラ端子 LOOSE
		39-00-0293	1189AG	連鎖状端子 CHAIN
銅 (0.5 μm MIN.) 下地 錫 (0.9 μm MIN.) TIN (0.9 μm MIN.) OVER COPPER (0.5 μm MIN.)	有 YES	39-00-0294	1189GL	バラ端子 LOOSE
		39-00-0289	1189ATL	バラ端子 LOOSE
		39-00-0281	1189AT	連鎖状端子 CHAIN
		39-00-0288	1189TL	バラ端子 LOOSE
		39-00-0282	1189T	連鎖状端子 CHAIN