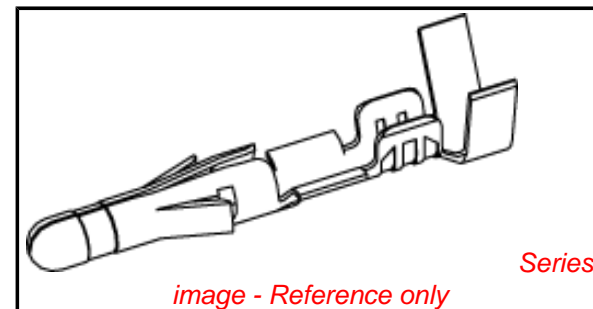


PLEASE CHECK WWW.MOLEX.COM FOR LATEST PART INFORMATION

Part Number: [0039000297](#)
Status: **Active**
Overview: [standard_093](#)
Description: 2.36mm (.093") Diameter, Standard .093" Pin and Socket Crimp Terminal, Series 1190, Male, with Tin (Sn) over Copper Plated Brass Contact, 14-20 AWG, Bag

Documents:

[Drawing \(PDF\)](#) [RoHS Certificate of Compliance \(PDF\)](#)
[Product Specification PS-1190-005 \(PDF\)](#)



General

Product Family	Crimp Terminals
Series	1190
Crimp Quality Equipment	Yes
Overview	standard_093
Product Name	Standard .093"
Physical	
Gender	Male
Material - Metal	Brass
Material - Plating Mating	Tin
Material - Plating Termination	Tin
Packaging Type	Bag
Plating min: Mating (µin)	35
Plating min: Mating (µm)	0.88
Plating min: Termination (µin)	35
Plating min: Termination (µm)	0.88
Termination Interface: Style	Crimp or Compression
Wire Insulation Diameter	1.60-4.10mm (.063-.161")
Wire Size AWG	14, 16, 18, 20
Wire Size mm ²	N/A

Material Info

Old Part Number 1190TL

Reference - Drawing Numbers

Product Specification [PS-1190-005](#), [RPS-1190-001](#)
 Sales Drawing [SD-1190-001](#)

EU RoHS

ELV and RoHS Compliant
REACH SVHC Contains SVHC: No
Halogen-Free Status

China RoHS



Need more information on product environmental compliance?

Email productcompliance@molex.com
 For a multiple part number RoHS Certificate of Compliance, [click here](#)

Please visit the [Contact Us](#) section for any non-product compliance questions.

Search Parts in this Series

[1190Series](#)

Use With

[3191p](#)

Application Tooling | FAQ

Tooling specifications and manuals are found by selecting the products below. Crimp Height Specifications are then contained in the Application Tooling Specification document.

Global

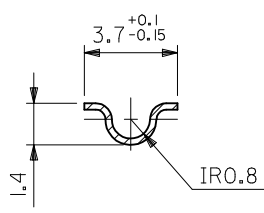
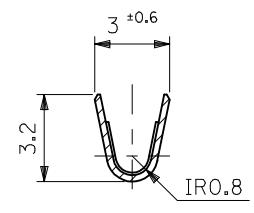
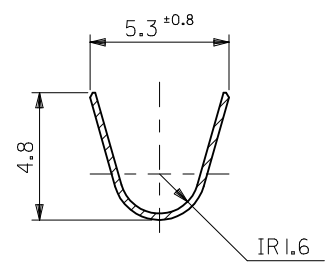
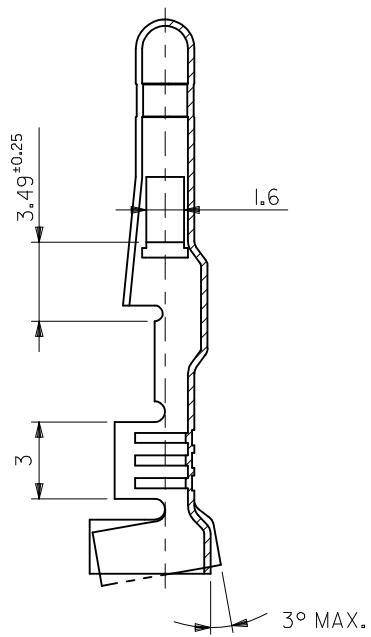
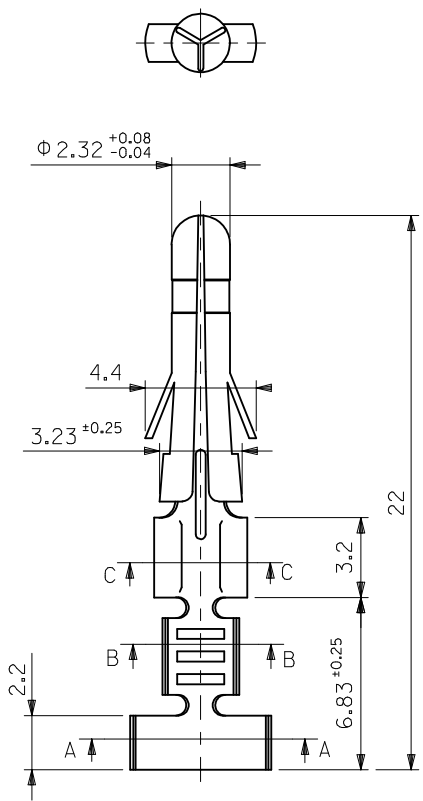
Description	Product #
Hand Crimp Tool	0638191100
Extraction Tool	0011030006

Japan

Description	Product #
Hand Crimp Tool	0011260006
JHTR1031C	
Applicator for M211A	0011260069
Bench Press, 14-28 AWG, for 8980-6C, 8980-6C1, 1189, 1190, 1380, 1381,	

This document was generated on 05/19/2010

PLEASE CHECK WWW.MOLEX.COM FOR LATEST PART INFORMATION



ニッケル (2 μm MIN.) 下地 金 (0.35 μm MIN.) GOLD (0.35 μm MIN.) OVER NICKEL (2 μm MIN.)	39-00-0300	1190G	連鎖状端子 CHAIN
銅 (0.5 μm MIN.) 下地 錫 (0.9 μm MIN.) TIN (0.9 μm MIN.) OVER COPPER (0.5 μm MIN.)	39-00-0297	1190TL	バラ端子 LOOSE
メッキ PLATING	EDP.NO.	ENG.NO.	形状 FORM

REVISED EC NO: J2009-1285 DRWN: YOSHIDAM 2008/12/19 CHKD: THARUYAMA 2008/12/19 APPR: NUKITA 2009/01/15 K	DESCRIPTION	GENERAL TOLERANCES (UNLESS SPECIFIED)	DIMENSION STYLE MM ONLY	SCALE 5:1	DESIGN UNITS METRIC	THIRD ANGLE PROJECTION
	REV	10 UNDER ± ---	DRAWN BY H. HASEGAWA	DATE '93/06/18	TITLE .093 DIA. MALE TERM.	
		10 OVER 30 UNDER ± ---	CHECKED BY H. HIRAMOTO	DATE '93/06/18	MOLEX INCORPORATED	
		30 OVER ± ---	APPROVED BY M. FUKUSHIMA	DATE '93/06/18	DOCUMENT NO. SD-1190-001	SHEET NO. 1 OF 1
	ANGULAR ± --- °	DRAFT WHERE APPLICABLE MUST REMAIN WITHIN DIMENSIONS	SIZE A3	THIS DRAWING CONTAINS INFORMATION THAT IS PROPRIETARY TO MOLEX INCORPORATED AND SHOULD NOT BE USED WITHOUT WRITTEN PERMISSION		