

**PLEASE CHECK WWW.MOLEX.COM FOR LATEST PART INFORMATION**

**Part Number:** **0513361310**  
**Status:** **Active**  
**Description:** 1.25mm (.049") Pitch Mini Mi II™ System Wire-to-Board IDT Housing, Single Row, 13 Circuits

**Documents:**

[3D Model](#) [Product Specification PS-51336-010 \(PDF\)](#)  
[Drawing \(PDF\)](#) [RoHS Certificate of Compliance \(PDF\)](#)

**General**

Product Family IDT and Solder Connectors  
 Series [51336](#)  
 Crimp Quality Equipment Yes  
 Product Name Mini Mi II™

**Physical**

Circuits (Loaded) 13  
 Color - Resin Natural  
 Durability (mating cycles max) 30  
 Gender Female  
 Glow-Wire Compliant No  
 Lock to Mating Part Yes  
 Material - Metal Phosphor Bronze  
 Material - Plating Mating Tin  
 Material - Plating Termination Tin  
 Material - Resin Polyester  
 Number of Rows 1  
 Packaging Type Bag  
 Panel Mount No  
 Pitch - Mating Interface (in) 0.049 In  
 Pitch - Mating Interface (mm) 1.25 mm  
 Plating min: Mating (µin) 36  
 Plating min: Mating (µm) 0.90  
 Plating min: Termination (µin) 36  
 Plating min: Termination (µm) 0.90  
 Polarized to Mating Part Yes  
 Stackable No  
 Temperature Range - Operating -40°C to +105°C  
 Termination Interface: Style IDT or Pierce  
 Wire Insulation Diameter 0.80-0.90mm (.031-.035")  
 Wire Size AWG 26, 28

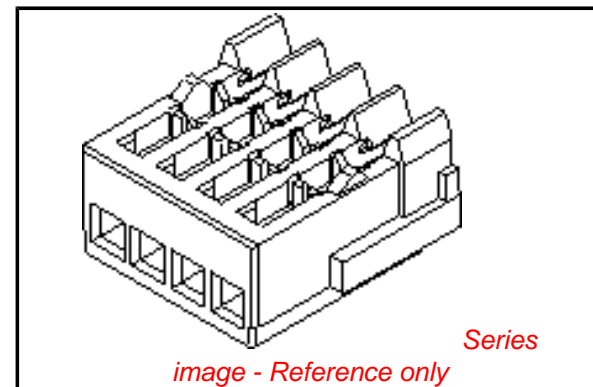
**Electrical**

Current - Maximum per Contact 1.5A  
 Voltage - Maximum 100V

**Material Info**

**Reference - Drawing Numbers**

Product Specification PS-51336-010, RPS-51336-004, RPS-51336-005,  
 RPS-51336-006, RPS-51336-009  
 Sales Drawing SD-51336-001



**EU RoHS**

**ELV and RoHS  
 Compliant**  
**REACH SVHC  
 Contains SVHC: No**  
**Halogen-Free  
 Status  
 Not Reviewed**

**China RoHS**



**Need more information on product  
 environmental compliance?**

Email [productcompliance@molex.com](mailto:productcompliance@molex.com)  
 For a multiple part number RoHS Certificate of  
 Compliance, [click here](#)

Please visit the [Contact Us](#) section for any  
 non-product compliance questions.

**Search Parts in this Series**

[51336Series](#)

**Mates With**

[55447](#) Vertical Header, [55454](#) Right Angle  
 Header

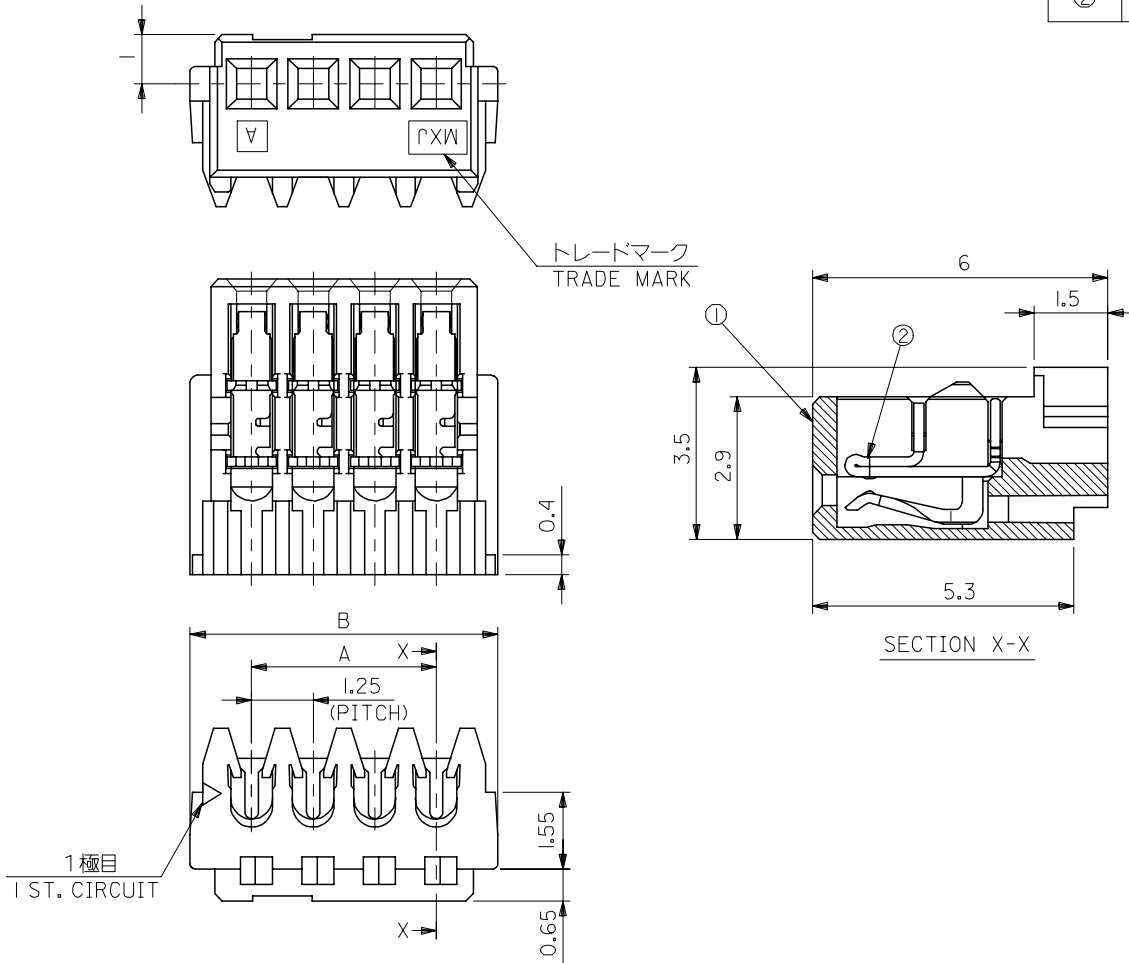
| 番号 NO. | 名称 NAME        | 原料 MATERIAL                          | 数量 QTY | 仕上げ FINISH                 |
|--------|----------------|--------------------------------------|--------|----------------------------|
| ①      | ハウジング HOUSING  | PBT<br>PBT                           | 1      | ガラス30%, UL94V-0<br>G.F.30% |
| ②      | ターミナル TERMINAL | りん青銅 (+0.2)<br>PHOSPHOR BRONZE(+0.2) | N      | 全体錫メッキ<br>PRE-TINNED       |

注) NOTES

1. 原料および仕上げ: 表参照  
MATERIAL AND FINISH : SEE CHART

△製品番号  
MATERIAL NO.  
51336-\*\*\*

極数 CIRCUIT SIZE(O2 ~ 20)  
色 COLOR 10: 白色 WHITE



| 極数    | CIRCUIT SIZE | MATERIAL NO. | MODEL NO.                    |
|-------|--------------|--------------|------------------------------|
| 26.25 | 23.75        | 20           | 51336-201*                   |
| 25    | 22.5         | 19           | 51336-191*                   |
| 23.75 | 21.25        | 18           | 51336-181*                   |
| 22.5  | 20           | 17           | 51336-171*                   |
| 21.25 | 18.75        | 16           | 51336-161*                   |
| 20    | 17.5         | 15           | 51336-151*                   |
| 18.75 | 16.25        | 14           | 51336-141*                   |
| 17.5  | 15           | 13           | 51336-131*                   |
| 16.25 | 13.75        | 12           | 51336-121*                   |
| 15    | 12.5         | 11           | 51336-111*                   |
| 13.75 | 11.25        | 10           | 51336-101*                   |
| 12.5  | 10           | 9            | 51336-091*                   |
| 11.25 | 8.75         | 8            | 51336-081*                   |
| 10    | 7.5          | 7            | 51336-071*                   |
| 8.75  | 6.25         | 6            | 51336-061*                   |
| 7.5   | 5            | 5            | 51336-051*                   |
| 6.25  | 3.75         | 4            | 51336-041*                   |
| 5     | 2.5          | 3            | 51336-031*                   |
| 3.75  | 1.25         | 2            | 51336-021*                   |
| B     | A            | 極数           | △製品番号 MATERIAL NO. MODEL NO. |

|                   |              |
|-------------------|--------------|
| 材料 MATERIAL       | SEE CHART    |
| 仕上げ FINISH        | SEE CHART    |
| 適用電線範囲 WIRE RANGE | AWG #26, #28 |
| 被覆外径 INS. RANGE   | φ0.8 - φ0.9  |

|                   |            |
|-------------------|------------|
| RELEASED          | 2005/11/25 |
| EC NO: J2006-1346 | 2005/11/28 |
| DRW: M. NABE I    | 2005/11/28 |
| CHK: K. TOYODA    | 2005/11/30 |
| APP: N. UKITA     |            |
| REV               | 0          |

|  |       |
|--|-------|
| GENERAL TOLERANCES (UNLESS SPECIFIED)                |       |
| 10 UNDER   | ±0.2  |
| 10 OVER 30 UNDER                                     | ±0.25 |
| 30 OVER  | ±0.3  |
| ANGULAR  | ±3 °  |
| DRAFT WHERE APPLICABLE MUST REMAIN WITHIN DIMENSIONS |       |

|                 |           |                         |              |                        |
|-----------------|-----------|-------------------------|--------------|------------------------|
| DIMENSION STYLE |           | SCALE                   | DESIGN UNITS | THIRD ANGLE PROJECTION |
| MM ONLY         |           | 10:1                    | METRIC       |                        |
| DRAWN BY        | DATE      | TITLE                   |              |                        |
| M. NABE I       | '05/10/24 | MINI M12 REC. ASSY (SN) |              |                        |
| CHECKED BY      | DATE      | MATERIAL NO.            |              |                        |
| K. TOYODA       | '05/10/24 | SEE CHART               |              |                        |
| APPROVED BY     | DATE      | DOCUMENT NO.            |              |                        |
| N. UKITA        | '05/10/24 | SD-51336-001            |              |                        |
| SIZE            |           | SHEET NO.               |              |                        |
| A3              |           | 1 OF 1                  |              |                        |

|   |  |              |  |           |
|---|--|--------------|--|-----------|
| MATERIAL NO.  |  | DOCUMENT NO. |  | SHEET NO. |
| SEE CHART   |  | SD-51336-001 |  | 1 OF 1    |
| THIS DRAWING CONTAINS INFORMATION THAT IS PROPRIETARY TO MOLEX INCORPORATED AND SHOULD NOT BE USED WITHOUT WRITTEN PERMISSION |  |              |  |           |