

**PLEASE CHECK WWW.MOLEX.COM FOR LATEST PART INFORMATION**

**Part Number:** [1300980205](#)  
**Status:** **Active**  
**Overview:** [brad wire mesh grips](#)  
**Description:** MAX-LOC® Multi-Hole Strain Relief, 1/2" NPT, Straight Female with O-Ring, Cable Diameter 4.75mm (.187")

**Documents:**

[Drawing \(PDF\)](#) [RoHS Certificate of Compliance \(PDF\)](#)

**Agency Certification**

CSA LR32159  
 UL E76954

**General**

Product Family Cable Grips  
 Series [130098](#)  
 Comments Indicates that one or more grommet hole is covered by a thin membrane which can easily be "Poked" open if required.  
 Eye Type N/A  
 Insulated No  
 O-Ring Yes  
 Overview [brad wire mesh grips](#)  
 Product Name MAX-LOC®  
 Type Strain Relief Grips  
 Woodhead Yes

**Physical**

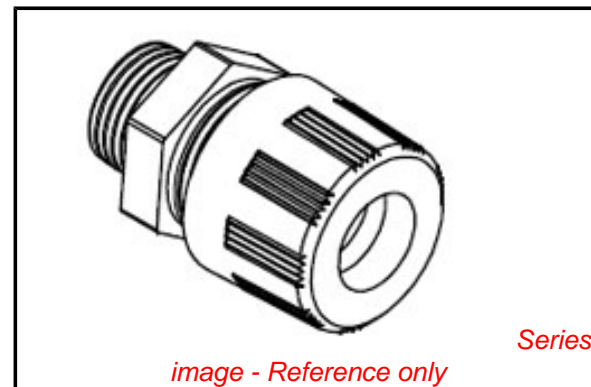
Approximate Break Strength N/A  
 Bale Length N/A  
 Body Style Straight  
 Cable Diameter 4.75mm (.187")  
 Color - Grommet Yellow  
 Gender Female  
 Material - Body Nylon  
 Material - Grip N/A  
 Mesh Length N/A  
 Number of Holes 2, 3, 4, 5, 6, or 7  
 Strain Relief Force 35 lbs  
 Thread Size 1/2" NPT

**Material Info**

Old Part Number 5594-008W

**Reference - Drawing Numbers**

Sales Drawing SD-130098-196



*image - Reference only*

*Series*

**EU RoHS**

**ELV and RoHS Compliant**  
**REACH SVHC Not Reviewed**  
**Halogen-Free Status Not Reviewed**

**China RoHS**

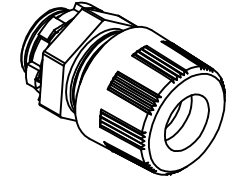
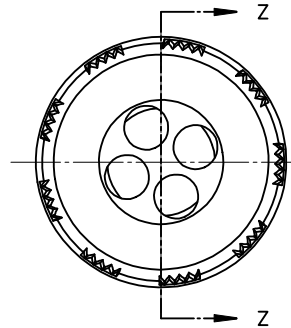
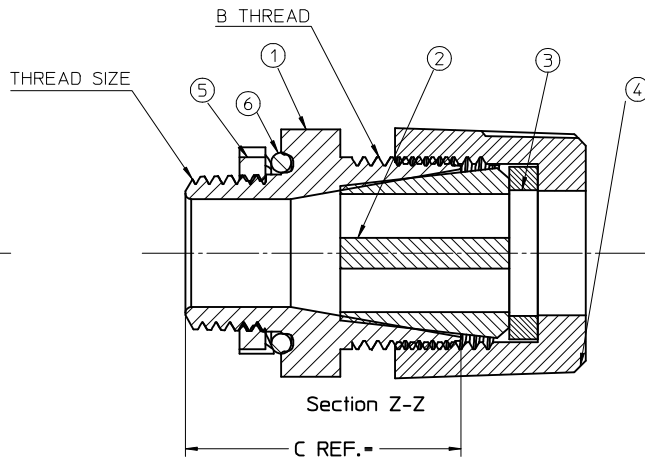
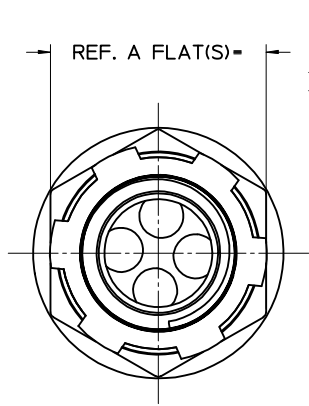


**Need more information on product environmental compliance?**

Email [productcompliance@molex.com](mailto:productcompliance@molex.com)  
 For a multiple part number RoHS Certificate of Compliance, [click here](#)

Please visit the [Contact Us](#) section for any non-product compliance questions.

**Search Parts in this Series**  
[130098Series](#)



MATERIAL NO.	OLD PART NO.	THREAD SIZE	CABLE (HOLE) DIA.	NUMBER OF HOLES	A	B	C	ITEM 1 COLOR	ITEM 2 MATERIAL	ITEM 2 COLOR	ITEM 3 MATERIAL	ITEM 4 MATERIAL	ITEM 4 COLOR
1300980196	5594-004W	1/2" NPT	.225/5.72	4	1.13/28.7	1"-14	1.44/36.6	Gray	Nitrile	Black	HDPE	Nylon	Gray
1300980198	5594-005W	1/2" NPT	.250/6.35	3	1.13/28.7	1"-14	1.44/36.6	Gray	Nitrile	Gray	HDPE	Nylon	Gray
1300980200	5594-006W	1/2" NPT	.290/7.37	2	1.13/28.7	1"-14	1.44/36.6	Gray	Nitrile	Black	HDPE	Nylon	Gray
1300980203	5594-007W	1/2" NPT	.156/3.96	4	1.13/28.7	1"-14	1.44/36.6	Gray	Nitrile	Orange	HDPE	Nylon	Gray
1300980205	5594-008W	1/2" NPT	.187/4.75	7	1.13/28.7	1"-14	1.44/36.6	Gray	Nitrile	Yellow	HDPE	Nylon	Gray

- NOTES:  
 1. MATERIAL: SEE TABLE  
 2. FINISHES: SEE TABLE  
 3. NEMA RATING: NEMA 6P  
 4. RoHS COMPLIANT: YES

6	1	O-RING	NEOPRENE	BLACK
5	1	LOCK NUT	STEEL	ZINC PLATED
4	1	COMPRESSION NUT	SEE CHART	SEE CHART
3	1	COMPRESSION RING	SEE CHART	NATURAL (WHITE)
2	1	GROMMET	SEE CHART	SEE CHART
1	1	STRAIGHT MALE BODY	NYLON	SEE CHART
ITEM	QTY.	DESCRIPTION	MATERIAL	FINISH

2009/06/10 ENTER DESCRIPTION EC NO: WNA2009-0746 DRAWN: NKUMAR01 2009/05/18 CHKD: APPR: JFMURPHY	QUALITY SYMBOLS ▽=0 ▽=0	GENERAL TOLERANCES (UNLESS SPECIFIED) mm INCH 4 PLACES ± --- ± --- 3 PLACES ± --- ± --- 2 PLACES ± --- ± .010 1 PLACE ± 0.3 ± --- ANGULAR ± 1/2°	DIMENSION STYLE IN/MM DRAWN BY DATE NKUMAR01 2009/05/18 CHECKED BY DATE BWOODMAN 2009/05/18 APPROVED BY DATE JFMURPHY 2009/05/18	SCALE 2:1 DESIGN UNITS INCH	THIRD ANGLE PROJECTION
	DRAFT WHERE APPLICABLE MUST REMAIN WITHIN DIMENSIONS		SEE CHART	MOLEX INCORPORATED SD-130098-196	SHEET NO. 1 OF 1
THIS DRAWING CONTAINS INFORMATION THAT IS PROPRIETARY TO MOLEX INCORPORATED AND SHOULD NOT BE USED WITHOUT WRITTEN PERMISSION					