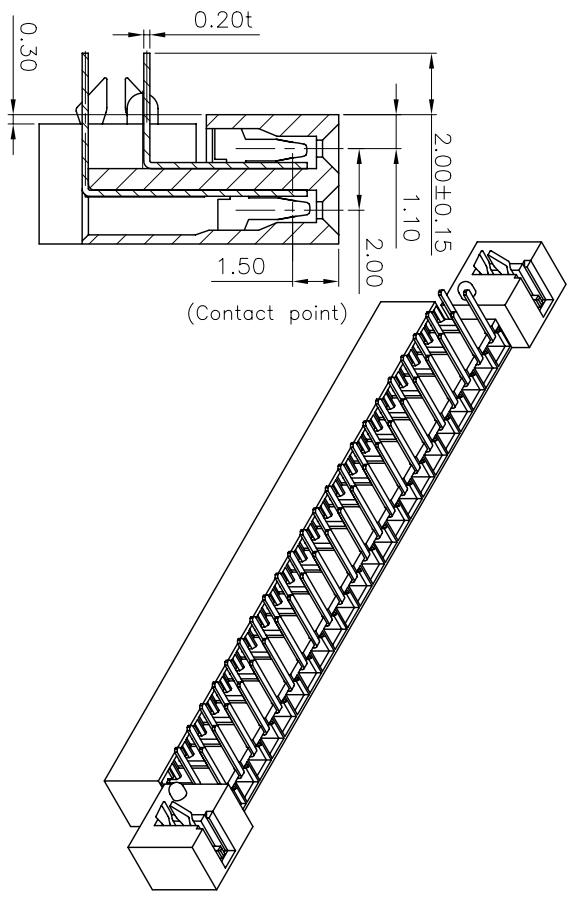


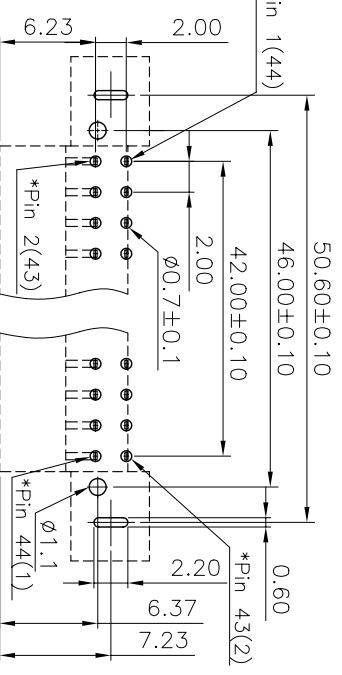
SECTION A-A' (4:1)



Recommended P.C.B Layout (Component side)
P.C.B THICKNESS=1.20mm

- NOTE:
200043FR044G□03ZU
1. Selective Plating
 - G1-05u" Gold over Nickel
 - G2-Indicate Gold over Nickel
 - G3-10u" Gold over Nickel
 - G4-15u" Gold over Nickel
 - G5-30u" Gold over Nickel

2.*Pin 1: Normal
3.*Pin(44): Number in "()" indicate the pin position when "Reverse" used.



3	Fork	Copper	—	—	—	Tin plated over Nickel
2	Terminal	Pho. Bronze	—	—	—	Gold plated over Nickel
1	Plastic	High Temp.	Black	—	—	UL94V-0
NO. DESCRIPTION		MATERIAL	COLOR	REMARK		

SUWIN
CONNECTOR

CUSTOMER TITLE: 2.00mm HDD Connector
COPY

PART NO. 200043FR044GX03ZU

PART NO. (OLD)

DRAWING NO. D 200043FR044GX03ZU

SCALE 2:1 UNIT mm A4

ECN (DCN) NO.	REV	DATE	DESCRIPTION	CHANGE APPRO.	GENERAL TOLERANCE UNLESS OTHERWISE NOTED	Angle	±2°	30 ~	±0.50	10 ~ 30	±0.30	~ 10	±0.15
	0		NEW										