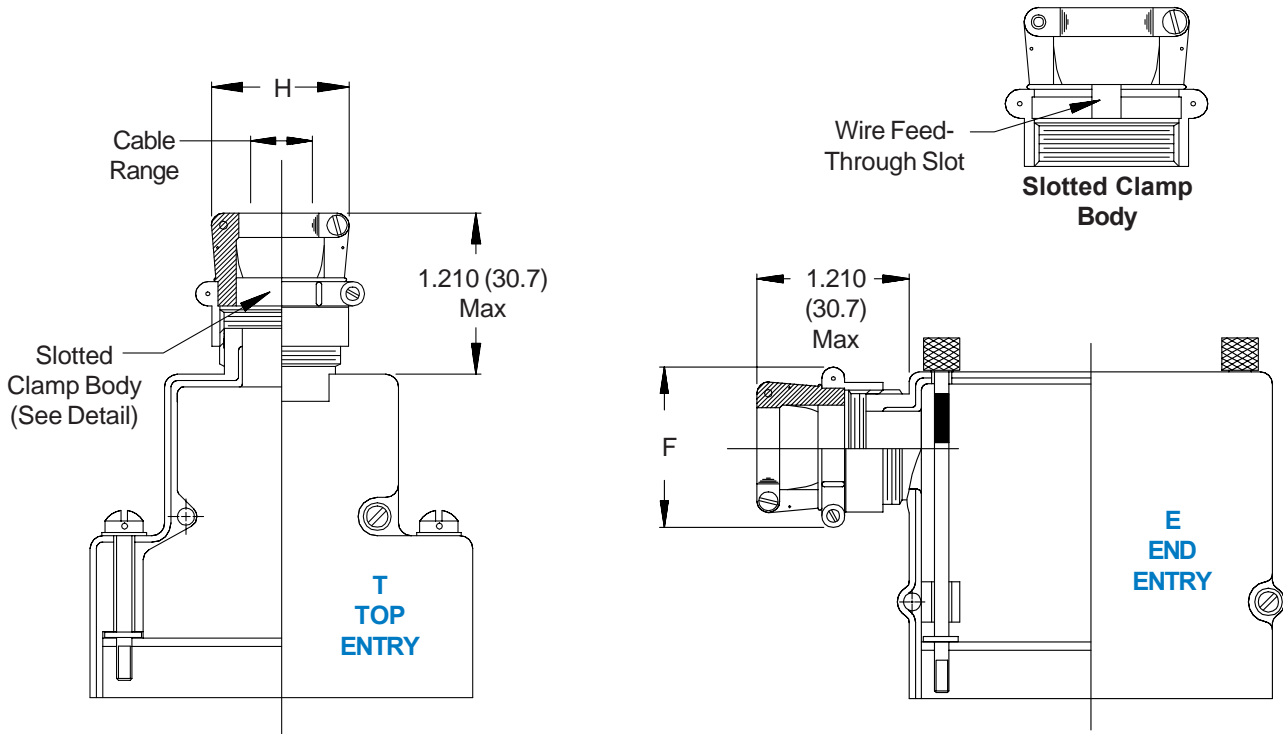
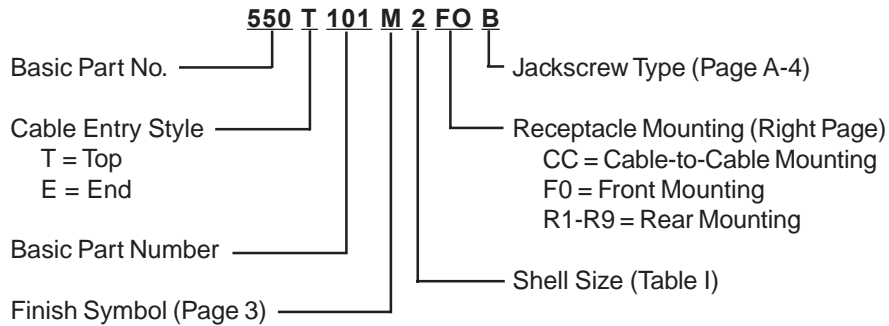




# 550-101 D-Subminiature Retro-Fit Non-EMI Strain-Relief Split Backshell



**TABLE I: SHELL SIZE, CABLE ENTRY AND STYLE**

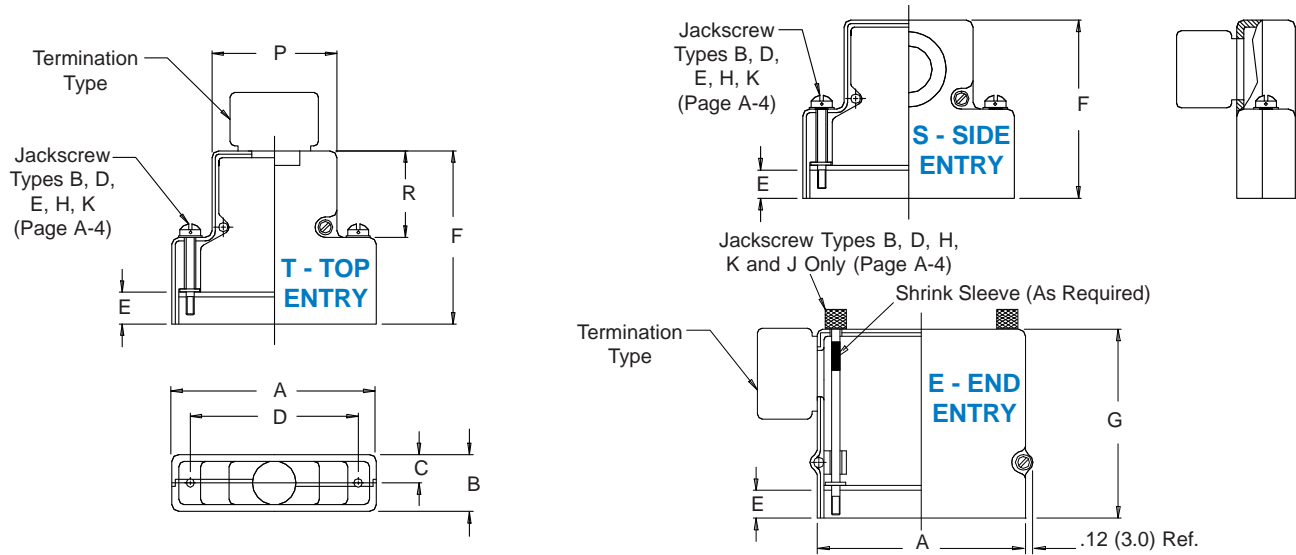
| Shell Size | Com'l Shell Size Ref | F Max        | H Max        | Entry Style T Cable Range |             | Entry Style E Cable Range |             |
|------------|----------------------|--------------|--------------|---------------------------|-------------|---------------------------|-------------|
|            |                      |              |              | Min                       | Max         | Min                       | Max         |
| 1          | E/09                 | 1.190 (30.2) | 1.062 (27.0) | .125 (3.2)                | .250 (6.4)  | .250 (6.4)                | .375 (9.5)  |
| 2          | A/15                 | 1.320 (33.5) | 1.062 (27.0) | .250 (6.4)                | .375 (9.5)  | .250 (6.4)                | .375 (9.5)  |
| 3          | B/25                 | 1.440 (36.6) | 1.156 (29.4) | .312 (7.9)                | .475 (12.1) | .312 (7.9)                | .475 (12.1) |
| 4          | C/37                 | 1.440 (36.6) | 1.156 (29.4) | .312 (7.9)                | .475 (12.1) | .312 (7.9)                | .475 (12.1) |
| 5          | D/50                 | 1.560 (39.6) | 1.335 (33.9) | .437 (11.1)               | .575 (14.6) | .437 (11.1)               | .575 (14.6) |

1. Metric dimensions (mm) are indicated in parentheses.
2. **DO NOT USE CONNECTORS WITH FLOAT MOUNTINGS.**

# D-Subminiature Split Backshells Standard Dimensions



MIL-C-24308  
D-Subminiature



## COMMON BACKSHELL DIMENSIONS

| Shell Size | Com'l Shell Size Ref | A Max        | B Max       | C Ref.      | D            |              | P            | R Ref |
|------------|----------------------|--------------|-------------|-------------|--------------|--------------|--------------|-------|
|            |                      |              |             |             | ±.005        | (.1)         |              |       |
| 1          | E/09                 | 1.393 (35.4) | .624 (15.8) | .312 (7.9)  | .984 (25.0)  | .730 (18.5)  | .719 (18.3)  |       |
| 2          | A/15                 | 1.706 (43.3) | .624 (15.8) | .312 (7.9)  | 1.312 (33.3) | 1.050 (26.7) | .719 (18.3)  |       |
| 3          | B/25                 | 2.265 (57.5) | .624 (15.8) | .312 (7.9)  | 1.852 (47.0) | 1.594 (40.5) | .938 (23.8)  |       |
| 4          | C/37                 | 2.900 (73.7) | .624 (15.8) | .312 (7.9)  | 2.500 (63.5) | 2.240 (56.9) | .938 (23.8)  |       |
| 5          | D/50                 | 2.800 (71.1) | .750 (19.1) | .375 (9.5)  | 2.406 (61.1) | 2.140 (54.4) | .938 (23.8)  |       |
| 6          | F/104                | 2.900 (73.7) | .844 (21.4) | .422 (10.7) | 2.500 (63.5) | 2.240 (56.9) | 1.094 (27.8) |       |

## CABLE MOUNTING DIMENSIONS

| Dash No. | Panel Thickness | E          | F ± .031 (0.79) |              |              | G ± .031 (0.79) |              |
|----------|-----------------|------------|-----------------|--------------|--------------|-----------------|--------------|
|          |                 |            | Sizes 1 & 2     | Sizes 3 - 5  | Size 6       | Sizes 1 & 2     | Sizes 3 - 5  |
| CC       | n/a             | .174 (4.4) | 1.451 (36.9)    | 1.671 (42.4) | 1.820 (46.2) | 1.583 (40.2)    | 1.831 (46.5) |
| F0       | n/a             | .343 (8.7) | 1.625 (41.3)    | 1.844 (46.8) | 2.000 (50.8) | 1.750 (44.5)    | 2.000 (50.8) |
| R1       | .031 (.8)       | .247 (6.3) | 1.525 (38.7)    | 1.745 (44.3) | 1.890 (48.0) | 1.656 (42.1)    | 1.904 (48.4) |
| R2       | .047 (1.2)      | .231 (5.9) | 1.509 (38.3)    | 1.728 (43.9) | 1.875 (47.6) | 1.640 (41.7)    | 1.888 (48.0) |
| R3       | .062 (1.6)      | .216 (5.5) | 1.500 (38.1)    | 1.720 (43.7) | 1.860 (47.2) | 1.625 (41.3)    | 1.873 (47.6) |
| R4       | .093 (2.4)      | .185 (4.7) | 1.470 (37.3)    | 1.690 (42.9) | 1.829 (46.5) | 1.594 (40.5)    | 1.842 (46.8) |
| R5       | .104 (2.6)      | .174 (4.4) | 1.451 (36.9)    | 1.671 (42.4) | 1.820 (46.2) | 1.583 (40.2)    | 1.831 (46.5) |
| R6       | .125 (3.2)      | .153 (3.9) | 1.430 (36.3)    | 1.650 (41.9) | 1.798 (45.7) | 1.563 (39.7)    | 1.811 (46.0) |
| R7       | .156 (4.0)      | .125 (3.2) | 1.400 (35.6)    | 1.620 (41.1) | 1.767 (44.9) | 1.531 (38.9)    | 1.781 (45.2) |
| R8       | .135 (3.4)      | .140 (3.6) | 1.417 (36.0)    | 1.637 (41.6) | 1.805 (45.8) | 1.550 (39.4)    | 1.798 (45.7) |
| R9       | .188 (4.8)      | .094 (2.4) | 1.368 (34.7)    | 1.590 (40.4) | 1.740 (44.2) | 1.500 (38.1)    | 1.750 (44.5) |

1. Metric dimensions (mm) are indicated in parentheses.