



Frontier Electronics Corp.

667 E. COCHRAN STREET, SIMI VALLEY, CA 93065

TEL: (805) 522-9998 FAX: (805) 522-9989

E-mail: frontiersales@frontierusa.com

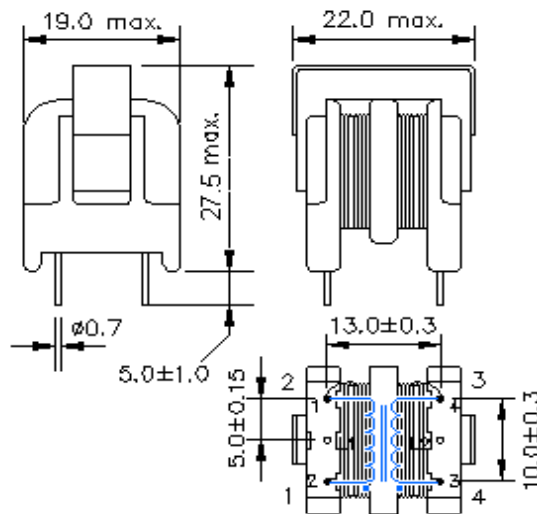
Web: frontierusa.com

Common Mode Line Filters—CFU1602 series

A. Specifications:

Part Number	Inductance (mH)	/ L1-L2/ (uH) Max.	DCR (OHMS) Max.	Rated Current (A) RMS.
CFU1602-01	2 x 10	100	0.5	1.0
CFU1602-02	2 x 8	75	0.4	1.2
CFU1602-03	2 x 8	75	0.3	1.5
CFU1602-04	2 x 25	200	1.2	0.5

B. Mechanical Dimensions:



C. General information:

1. Test Condition: 1.0KHz / 1V.
2. Electrical specifications at 25°C.
3. Temperature Rise: 40°C.
4. Operating temperature: -20°C TO +105°C.
5. Insulation Resistance: 100M OHMS at 500VDC.
6. Rated Voltage: 100V to 270V / 50-60 Hz.
7. Hi-Pot Voltage: 1500VAC for one minute.

★ Custom specifications are available.

Note: **RoHS** compliant; for the **ROHS** parts, we add “-LFR” at the end of the P/N.