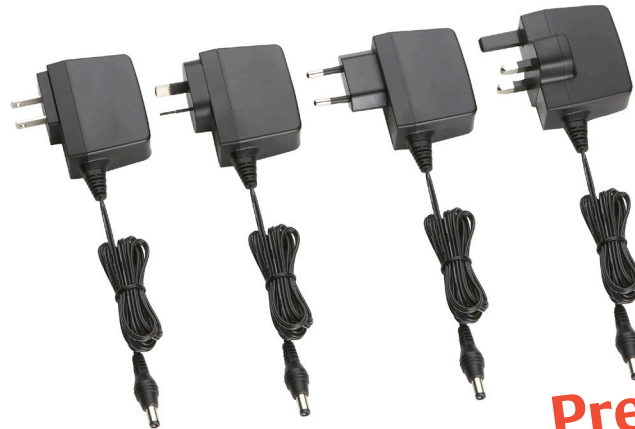


## DA12-M Series

12 Watts

**Total Power:** 12 Watts  
**Input Voltage:** 90-264 Vac  
**# of Outputs:** Single



**Preliminary**



### Special Features

- Medical and ITE Safeties
- Switching wallmount power supply
- Available in multiple ac plug configurations
- CE Mark EMC & LVD
- Universal AC input
- Fully regulated output
- Overload and short circuit protection
- Thermal protection
- Energy Star and CeC approvals
- Constant voltage
- High efficiency
- High MTBF
- Built in EMI filter (CISPR 22 Class B)

### Safety

**UL** 60950, 60601-1  
**cUL** 60950, 60601-1  
**TUV** 60950-1, 60601-1  
**AS/NZS** 60950-1, 60601-1  
**CB** Certificate and report  
**CE** EMC & LVD

### Electrical Specifications

Input	
Input range:	90-264 Vac (wide range)
Frequency:	47-63 Hz
Inrush current:	28 A @ 264 Vac
Input current:	0.25 A rms @ 120 Vac; 0.15 A @ 240 Vac
Efficiency:	75% @ full load typical, @120 Vac
EMI/RFI:	FCC Part 15, Subpart B Class B & EN55022 (CISPR 22) Class B
Safety ground leakage current:	100 $\mu$ A @ 50/60 Hz, 264 Vac input
Output	
Voltage (Vo):	12.0 V
Voltage regulation:	$\pm$ 5% @ constant voltage mode
Maximum Power (Po):	12 W
Hold-up time:	10 ms. typical at full load @ 230 Vac
Overvoltage protection:	Non-latching type
Overload protection:	Output shortcircuit protection auto recover Overload protected @ 150% above maximum rating
Overtemperature protection:	Auto recovery
Output cable/connector barrel polarity:	DC cable with 2.5 mm x5.5mm barrel plug DC plug center +v DC plug outer -v



## Environmental Specifications

Operating temperature:	0 ° to +40 °C ambient	
Storage temperature:	-40 °C to +85 °C	
Electromagnetic susceptibility:	Designed to meet EN55024	
Humidity:	Operating; non-condensing 5% to 95% RH	
Vibration:	Frequency/PSD: 5 - 350 Hz	0.0001 g <sup>2</sup> /Hz
	350 - 500 Hz - 6dB/Oct.	
	500 Hz	0.00005g <sup>2</sup> /Hz
	Acceleration:	0.21 gRMS
	Duration:	20 min per second

## AC Plug Configuration

U.S. 2-prong	US
Europe 2-prong	EU
United Kingdom 3-prong	UK
Australia 2-prong	AU

Rev. 08.19.08\_j105  
DA12-M Series  
2 of 4

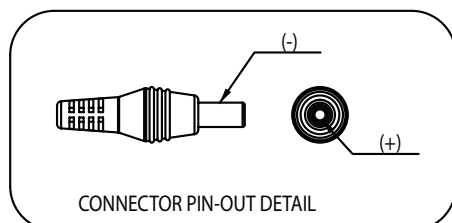
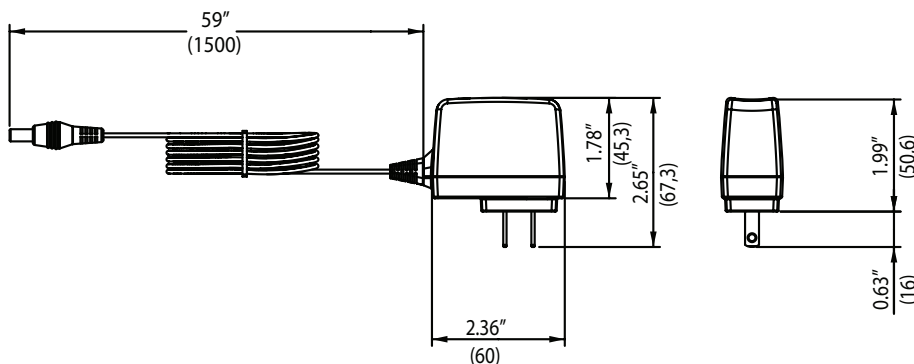
## Ordering Information

Model Number	Maximum Power	Output Voltage	Minimum Load	Maximum Load	Regulation <sup>2</sup>	Ripple P/P (PARD) <sup>3</sup>
DA12-120US-M	12 W	12.0 V	0.2 A	1.0	± 3%	200 mV
DA12-120EU-M	12 W	12.0 V	0.2 A	1.0	± 3%	200 mV
DA12-120UK-M	12 W	12.0 V	0.2 A	1.0	± 3%	200 mV
DA12-120AU-M	12 W	12.0 V	0.2 A	1.0	± 3%	200 mV

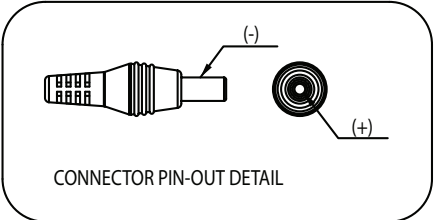
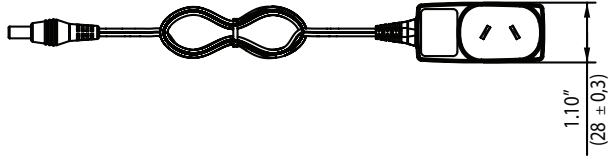
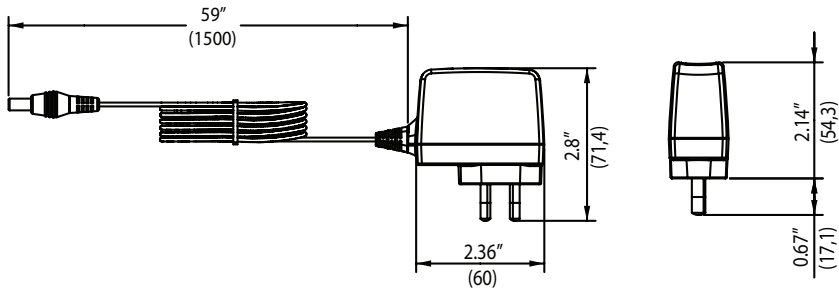
1. Peak current lasting <30 seconds with a maximum 10% duty cycle.
2. At 25 °C including initial tolerance, line voltage, load currents and output voltages adjusted to factory settings.
3. Peak-to-peak with 20 mHz bandwidth and 10 µF in parallel with a 0.1 µF capacitor at rated line voltage and load ranges.
4. Minimum loads are required.

## Mechanical Drawings

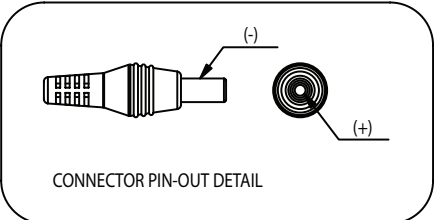
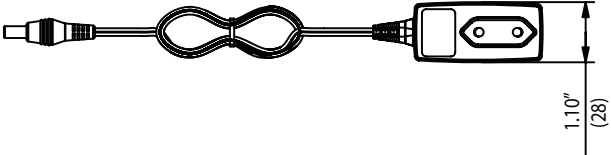
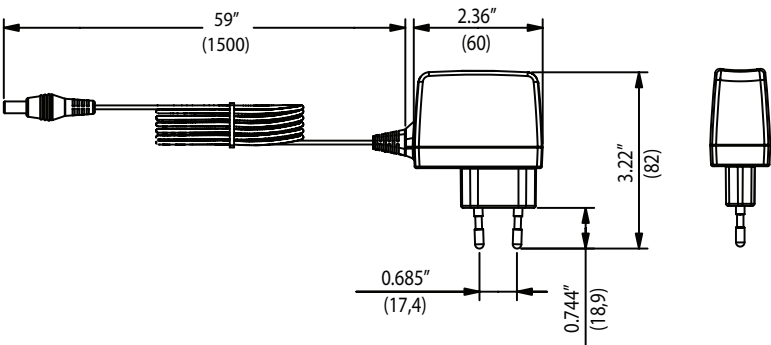
### DA1212-XXXUS-M



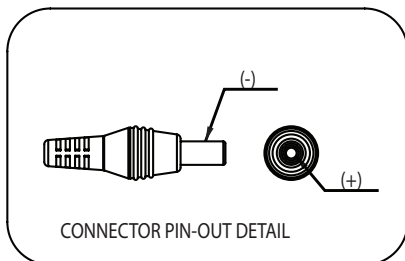
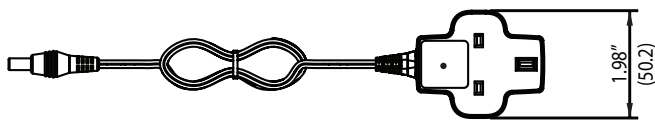
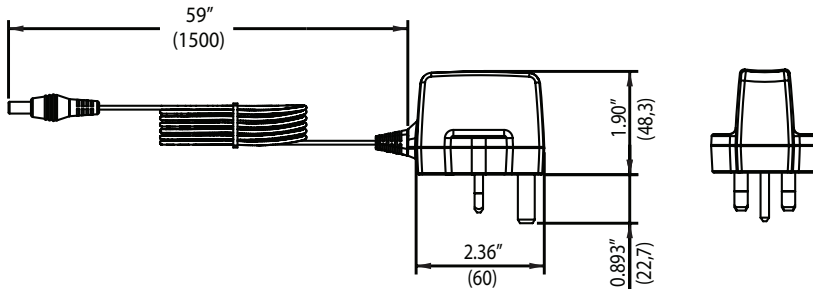
DA12-XXXAU-M



DA12-XXX-EU-M



DA12-XXX-UK-M



**Notes:**

1. Specifications subject to change without notice.
2. All dimensions in inches (mm), tolerance is  $\pm .02$ ".
3. Warranty: 2 years

**Americas**

5810 Van Allen Way  
Carlsbad, CA 92008  
USA  
Telephone: +1 (760) 930 4600  
Facsimile: +1 (760) 930 0698

**Europe (UK)**

Waterfront Business Park  
Merry Hill, Dudley  
West Midlands, DY5 1LX  
United Kingdom  
Telephone: +44 (0) 1384 842 211  
Facsimile: +44 (0) 1384 843 355

**Asia (HK)**

14/F, Lu Plaza  
2 Wing Yip Street  
Kwun Tong, Kowloon  
Hong Kong  
Telephone: +852 2176 3333  
Facsimile: +852 2176 3888

For global contact, visit:

[www.powerconversion.com](http://www.powerconversion.com)  
[techsupport.embeddedpower@emerson.com](mailto:techsupport.embeddedpower@emerson.com)

While every precaution has been taken to ensure accuracy and completeness in this literature, Emerson Network Power assumes no responsibility, and disclaims all liability for damages resulting from use of this information or for any errors or omissions.

**Emerson Network Power.**

The global leader in enabling business-critical continuity.

- AC Power
- Connectivity
- DC Power
- Embedded Computing
- **Embedded Power**
- Monitoring
- Outside Plant
- Power Switching & Controls
- Precision Cooling
- Racks & Integrated Cabinets
- Services
- Surge Protection

**EmersonNetworkPower.com**

Emerson Network Power and the Emerson Network Power logo are trademarks and service marks of Emerson Electric Co.  
©2008 Emerson Electric Co.