



SMD INDUCTOR DR356-4 SERIES

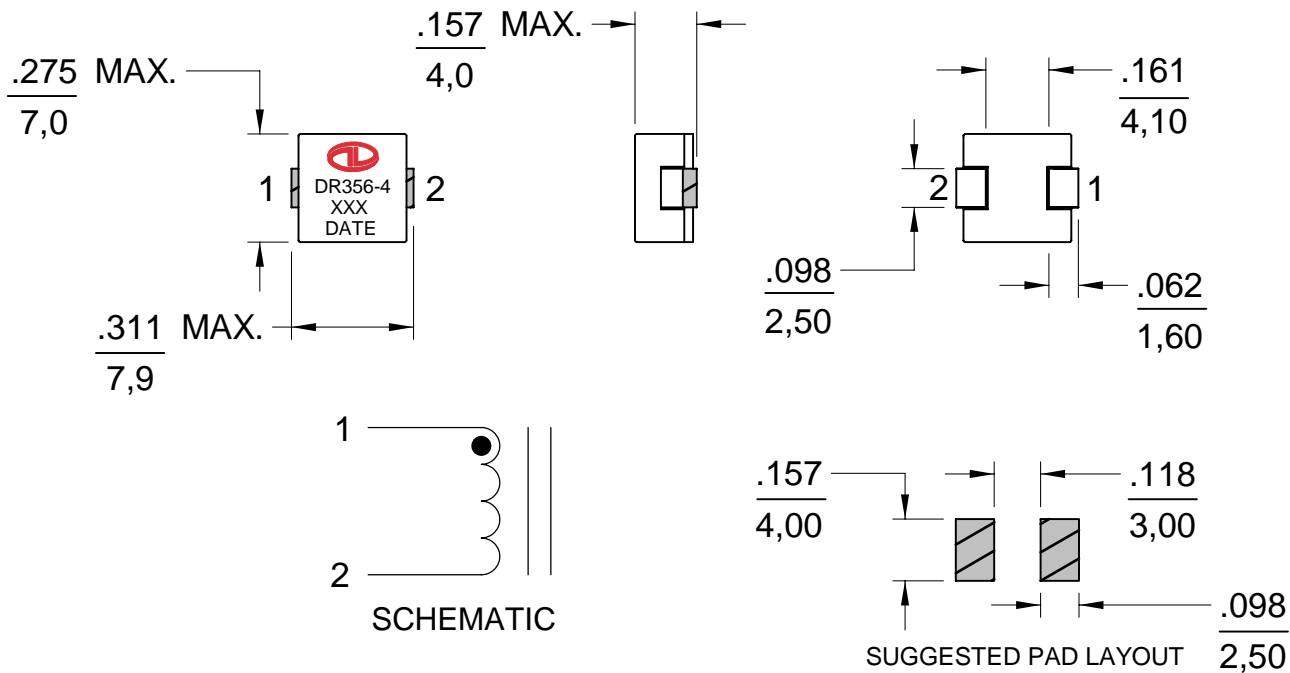
Features

- Height: 4.0mm Max
- Frequency Range: 10kHz to 2MHz
- Operating Temperature: -40°C to +155°C
- Inductance Range: 0.22µH & 0.47µH
- Tinned Leads with Leaded Solder is Available (note 4)

Electrical Specifications @ 25°C

PART NUMBER	INDUCTANCE (µH) 0.1V @ 100kHz	DCR (mΩ) Max.	Isat (A) Typ. L Drop 10%	Isat (A) Typ. L Drop 15%	Irms (A) Max. See Note 2
DR356-4-221	0.22 ± 20%	1.8	16	24	15
DR356-4-471	0.47 ± 20%	2.5	11	16	13

MECHANICAL SPECIFICATIONS



NOTES:

1. Dimensions are shown in inches/millimeters
Unless otherwise specified, tolerance = Inches: ±0.010
= Millimeters: ±0,25
2. Temperature rise of 40°C @ I_{rms}
3. Tape & Reel Packaging, 1000 pieces per reel.
4. For non-RoHS parts replace DR prefix with 42- (e.g. DR356-4 becomes 42-356-4)
5. Terminal finish is compliant to RoHS requirements. Solder in accordance with J-STD-020C