

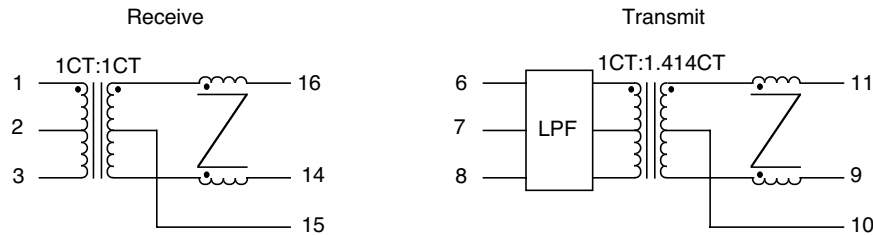
- Optimized for Level One's LX901/7/14 Transceiver Chips
- Complies with or exceeds IEEE 802.3, 10Base-T Standards
- Available in SMD and DIP Packages
- 1500 Vrms Isolation

Electrical Parameters @ 25° C

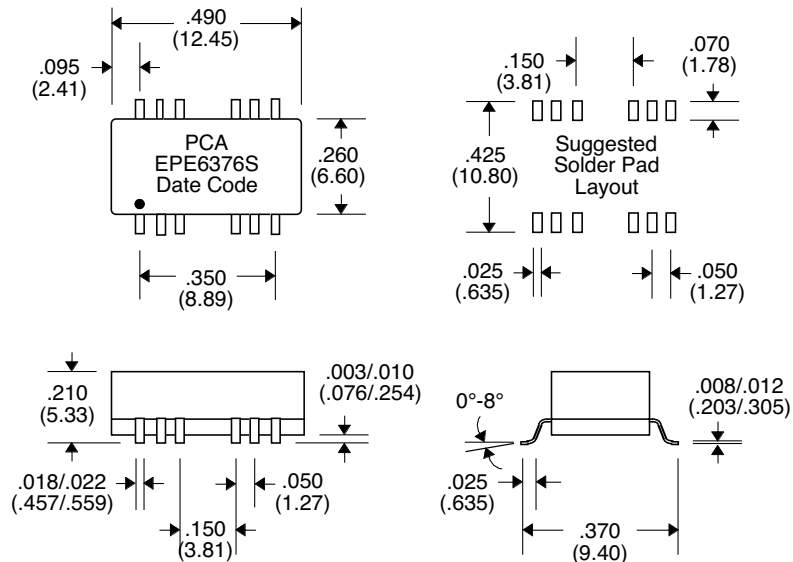
OCL (μ H Min.)	Cut-Off Frequency (MHz Typ.)	Insertion Loss (dB Max.)	Return Loss (dB Min.)	Attenuation (dB Min.)			Common Mode Rejection (dB Min.)		Crosstalk (dB Min.)
				@ 25 MHz	@ 30 MHz	@ 40 MHz	1-30 MHz	30-100 MHz	
@ 100 KHz, 0.1 Vrms		1-10 MHz	5-10 MHz						
	Xmit/Rcv	Xmit/Rcv	Xmit/Rcv	Xmit	Xmit	Xmit	Xmit/Rcv	Xmit/Rcv	
110	-17/-17	-1/-1	-15/-15	-5	-10	-16	-40/-40	-30/-30	-40

• Cable Side Impedance : 100 Ω •

Schematic



Package



Unless Otherwise Specified Dimensions are in Inches /mm \pm .010 / .25