

EPJ4032-S9 & EPJ4032-S9-LF

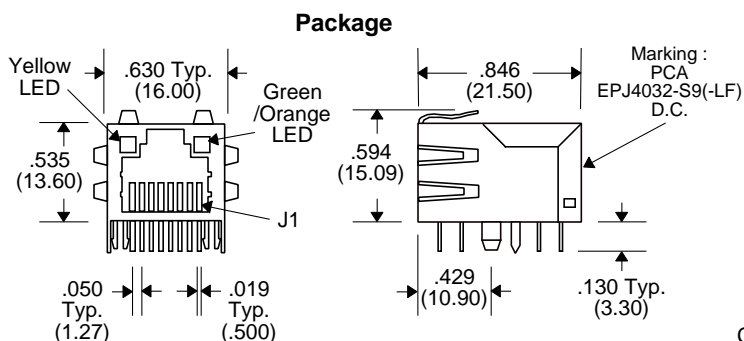


- Designed for Gigabit Ethernet and 10/100Base-TX Transceiver ICs
- Nylon GF (FR50) UL94V-0 Rated Connector Housing
- Complete Bob Smith Termination Included
- Add "-LF" after part number for Lead-Free
- Metal Shield : Nickel Plated Brass C2680
- Complies with IEEE 802.3ab Standards
- Storage Temperature : -40°C to +125°C
- Operating Temperature : 0°C to +70°C
- Contact Pin : 6 u-inch Gold Plated
- Space Saving RJ-45 Connector

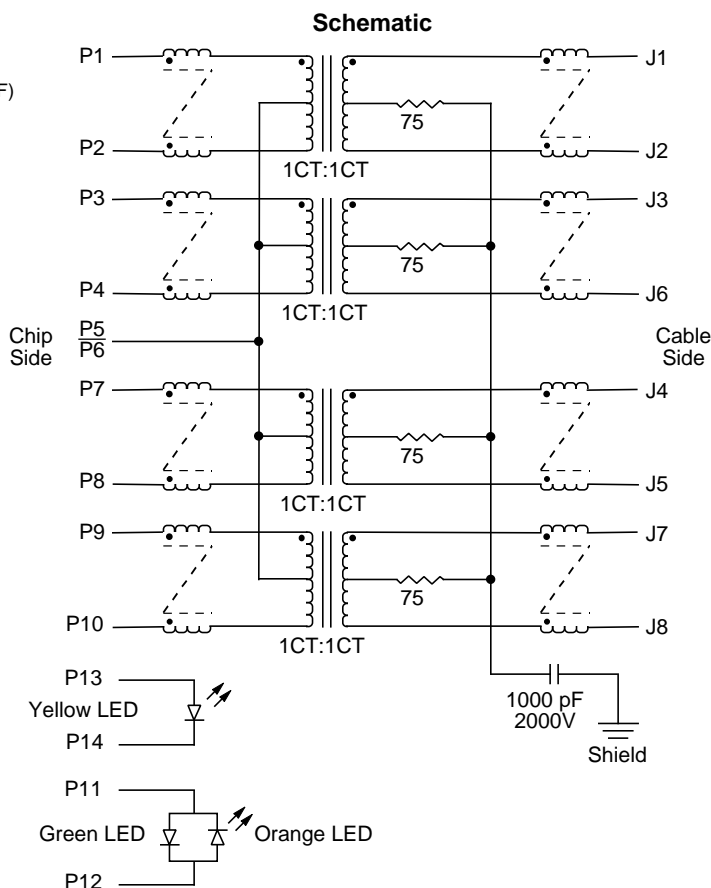
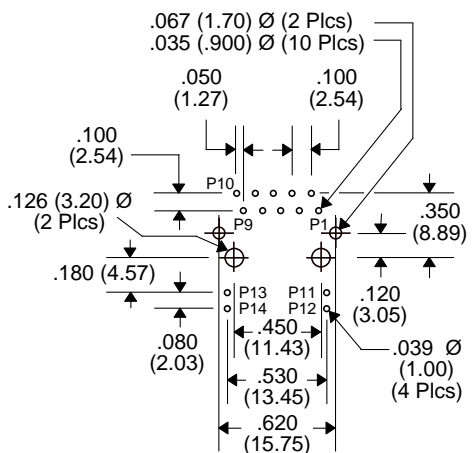
Electrical Parameters @ 25° C

| Turns Ratio | OCL* (uH Min.) | DCR (Max.) | Insertion Loss (dB Max.) | | Return Loss (dB Min.) | | CMRR (dB Typ.) | CDMR (dB Min.) | Crosstalk (dB Typ.) |
|-------------|----------------|-------------|--------------------------|-------------|-----------------------|-----------|----------------|----------------|---------------------|
| Xmit/Rcv | 100 KHZ/0.1V | --- | 1-100 MHz | 100-125 MHz | 0.3-40 MHz | @ 100 MHz | 0.3-100 MHz | 0.3-100 MHz | 1-100 MHz |
| 1:1/1:1 | 350 | 0.9 | -1.0 | -1.2 | -18 | -12 | -35 | -30 | -33 |

• *OCL : @ 8 mA DC Bias • Isolation : 1500 Vrms •



Recommended PCB Layout (Component Side)



| Notes : | EPJ4032-S9 | EPJ4032-S9-LF |
|--|-----------------------------|-----------------------------|
| 1. Assembly Process (Solder Composition) | SnPb | Hot Dipped Sn or SnCu |
| 2. Peak Temperature Rating | 225°C (10 +2/-0) Seconds | 260°C (10 +2/-0) Seconds |
| 3. Weight | 7.56 grams | 7.56 grams |
| 4. Packaging Information (Tray) | 60 pcs / tray | 60 pcs / tray |

Unless Otherwise Specified Dimensions are in Inches /mm ± .010 / .25