

Common Mode Inductor

Designed for Switching Power Supply Applications.

Built with Spacers designed by Rhombus Industries to provide 3mm Creepage and Clearance for International Safety Compliance.

Parameter	Min.	Typ.	Max.	Units
Inductance	16			mH
DCR			180	mΩ
Current			2.6	A _{RMS}
Leakage Inductance			180	μH

Rated Voltage 250 VAC

Hipot (Isolation) 1250 VAC

Insulation Resistance 100MΩ

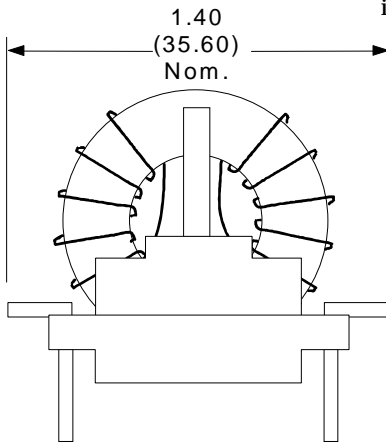
Temperature Rise 60°C Max.

Operating Temperature Range -25°C to +85°C

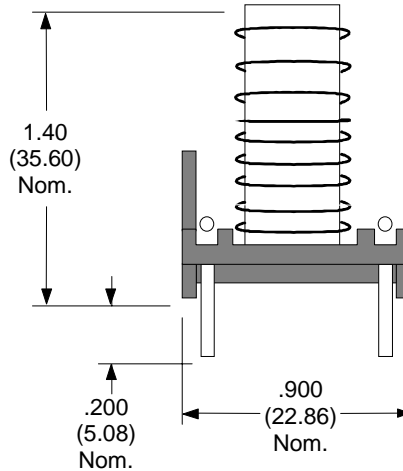
Materials used in construction of this component meet or exceed UL Class B (130°C)

Flammability: Toroid Mount and Creepage Spacer used in the production of these units meet requirements of UL94-VO and IEC 695-2-2 needle flame test.

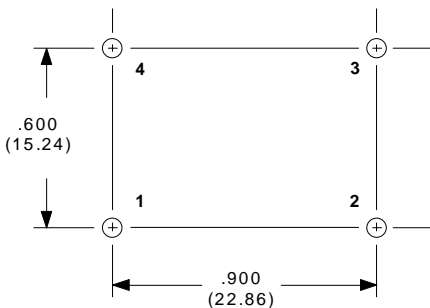
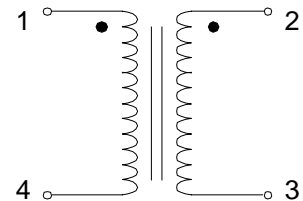
Physical Dimensions inches (mm)



LEAD DIA. : .050(1.27)



Schematic Diagram



RHOMBUS P/N: **L-14117**

CUST P/N:

NAME:

DATE: **08/17/01**

SHEET: 1 OF 1