

PLEASE CHECK WWW.MOLEX.COM FOR LATEST PART INFORMATION

Part Number: [0351500410](#)
Status: **Active**
Overview: [versablade](#)
Description: 6.20mm (.244") Pitch Wire-to-Wire VersaBlade™ Hybrid Plug Housing, with Mounting Ears, 4 Circuits, Polyester UL94V-0, Natural

Documents:

[3D Model](#) [RoHS Certificate of Compliance \(PDF\)](#)
[Drawing \(PDF\)](#)

Agency Certification

CSA	LR19980
TUV	R72090206
UL	E29179

General

Product Family	Crimp Housings
Series	35150
Comments	Polarized to Mating Part, Positive Lock
Overview	versablade
Product Name	VersaBlade™

Physical

Circuits (maximum)	4
Color - Resin	Natural
Flammability	94V-0
Gender	Female
Glow-Wire Compliant	No
Keying to Mating Part	None
Lock to Mating Part	Yes
Material - Resin	Polyester
Number of Rows	2
Packaging Type	Bag
Panel Mount	Yes
Pitch - Mating Interface (in)	0.287 In
Pitch - Mating Interface (mm)	7.30 mm
Polarized to Mating Part	Yes
Stackable	No
Temperature Range - Operating	-40°C to +120°C

Material Info

Reference - Drawing Numbers

Sales Drawing	SD-35150-0410
---------------	---------------

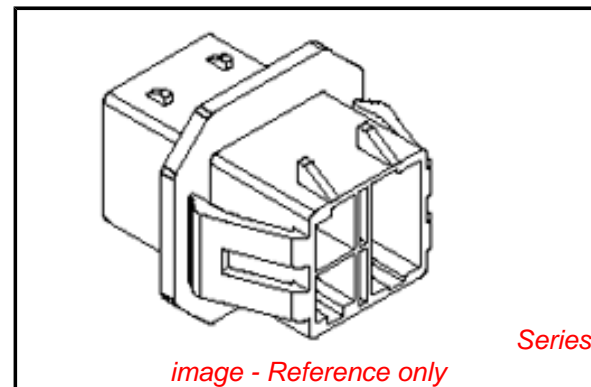


image - Reference only

EU RoHS

ELV and RoHS Compliant

REACH SVHC

Not Reviewed

Halogen-Free

Status

Not Reviewed

China RoHS



Need more information on product environmental compliance?

Email productcompliance@molex.com
 For a multiple part number RoHS Certificate of Compliance, [click here](#)

Please visit the [Contact Us](#) section for any non-product compliance questions.

Search Parts in this Series

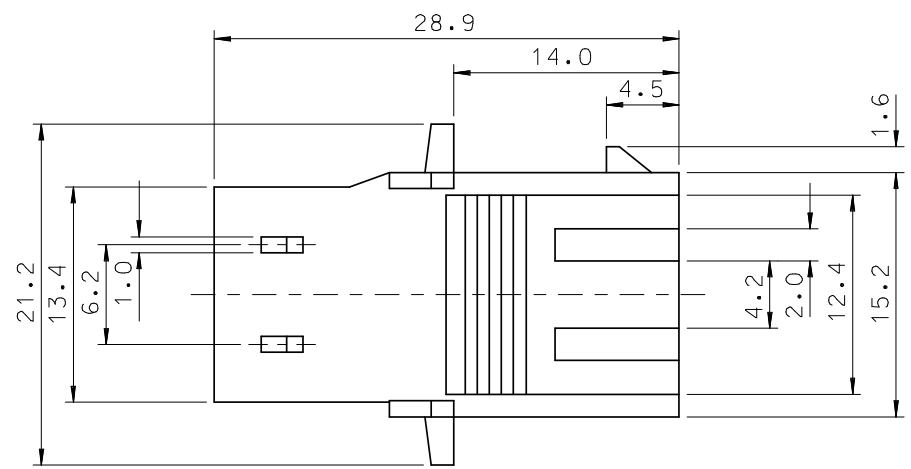
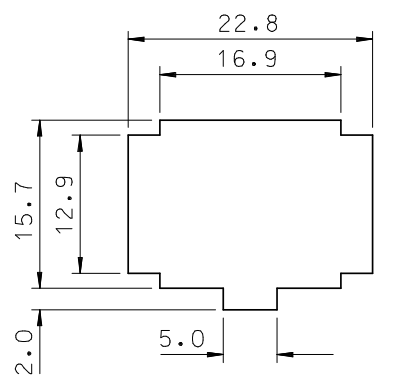
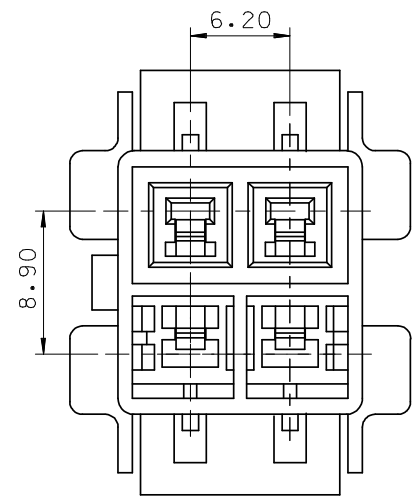
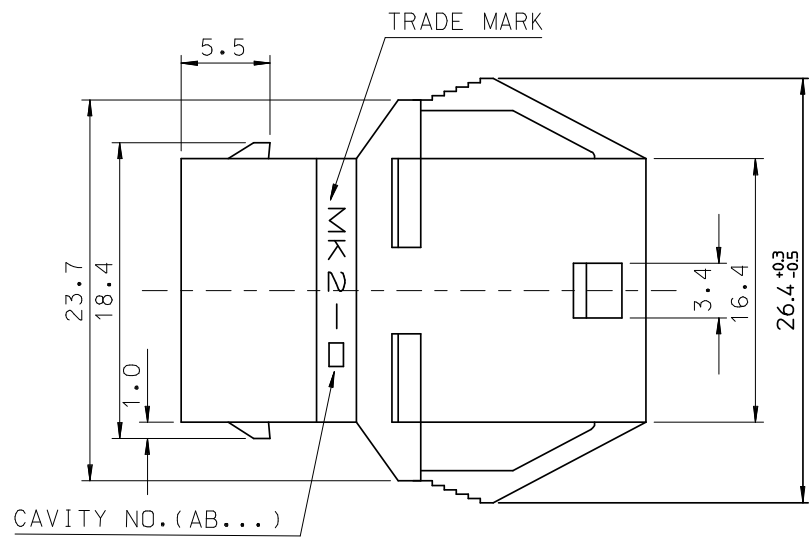
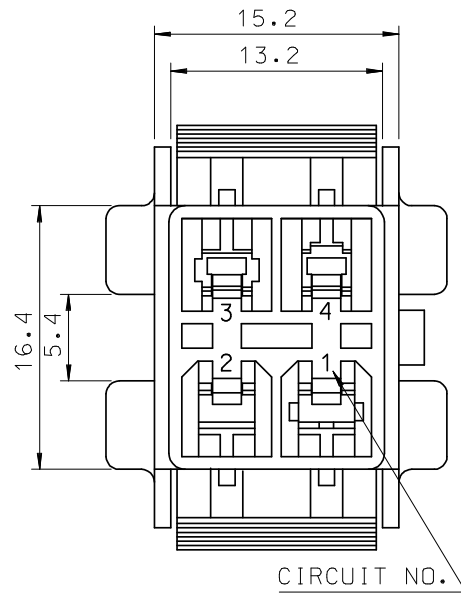
[35150Series](#)

Mates With

[35151-041*](#) Plug Housings

Use With

VersaBlade™ Crimp Terminals, [35745](#) , [35747](#) , [35746](#) , [35748](#) . [351500290](#) TPA™



- NOTES
1. MATERIAL : SEE TABLE
 2. MATED HOUSING: 35151-041*
 3. APPLICABLE TERMINAL : 35745-**** (1CKT)
35746-**** (3CKT)
35747-**** (2CKT)
35748-**** (4CKT)
 4. APPLICABLE T.P.A: 35150-0290

NO	PRODUCT		MATERIAL	
	PART NO	MATERIAL NO	COLOR	DESCRIPTION
1	35150-0410	351500410	NATURAL	PBT (UL94V-0)
2	35150-0412	351500412	RED	
3	35150-0414	351500414	BLUE	
4	35150-0419	351500419	NATURAL	PBT/PC (UL94V-0)
5	35150-3419	351503419	YELLOW	
6	35150-4419	351504419	BLUE	

REVISED
 EC NO: KOR2008-0179
 DRWN: SKHAN01 2008/04/29
 CHKD: WY. YANG 2008/04/29
 APPR: YUNS IKK IM 2008/04/29

QUALITY SYMBOLS
 ▽=0
 ▽=0

GENERAL TOLERANCES (UNLESS SPECIFIED)

	mm	INCH
4 PLACES	± ---	± ---
3 PLACES	± ---	± ---
2 PLACES	± 0.3	± ---
1 PLACE	± 0.3	± ---

ANGULAR ± 1°

DRAFT WHERE APPLICABLE
 MUST REMAIN
 WITHIN DIMENSIONS

DIMENSION STYLE
 MM ONLY

SCALE
 2:1

DESIGN UNITS
 METRIC

THIRD ANGLE PROJECTION

TITLE
 6.2 PITCH W/W MALE HOUSING-4P (EAR)

APPROVED BY
 CW. LEE 1993/08/19

MATERIAL NO.
 SEE TABLE

DOCUMENT NO.
 SD-35150-0410

SHEET NO.
 1 OF 01

THIS DRAWING CONTAINS INFORMATION THAT IS PROPRIETARY TO MOLEX INCORPORATED AND SHOULD NOT BE USED WITHOUT WRITTEN PERMISSION

MOLEX INCORPORATED