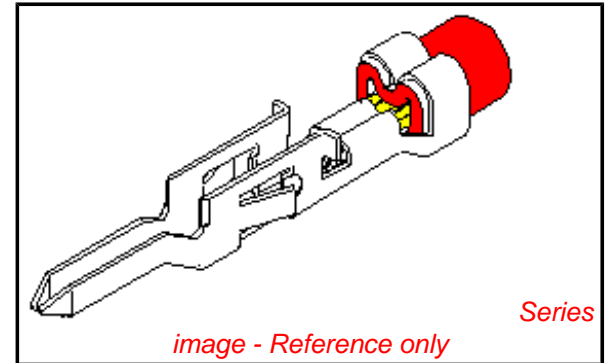


**PLEASE CHECK WWW.MOLEX.COM FOR LATEST PART INFORMATION**

**Part Number:** [0039000220](#)  
**Status:** **Active**  
**Overview:** [minifit\\_jr](#)  
**Description:** 4.20mm (.165") Pitch Mini-Fit™ Crimp Terminal, Male, Phosphor Bronze, Gold (Au), 18-24 AWG, Bag

**Documents:**

|   |   |
|---|---|
| <a href="#">Test Summary (PDF)</a>                      | <a href="#">Product Specification PS-5556-002 (PDF)</a> |
| <a href="#">Drawing (PDF)</a>                           | <a href="#">Product Specification PS-5556-003 (PDF)</a> |
| <a href="#">Product Specification PS-5556-001 (PDF)</a> | <a href="#">RoHS Certificate of Compliance (PDF)</a>    |



**General**

|                         |                            |
|-------------------------|----------------------------|
| Product Family          | Crimp Terminals            |
| Series                  | <a href="#">5558</a>       |
| Crimp Quality Equipment | Yes                        |
| Overview                | <a href="#">minifit_jr</a> |
| Product Name            | Mini-Fit®                  |

**Physical**

|                                |                          |
|--------------------------------|--------------------------|
| Durability (mating cycles max) | 30                       |
| Gender                         | Male                     |
| Material - Metal               | Phosphor Bronze          |
| Material - Plating Mating      | Gold                     |
| Material - Plating Termination | Tin                      |
| Packaging Type                 | Bag                      |
| Termination Interface: Style   | Crimp or Compression     |
| Wire Insulation Diameter       | 1.30-3.10mm (.051-.122") |
| Wire Size AWG                  | 18, 20, 22, 24           |
| Wire Size mm²                  | N/A                      |

**Electrical**

|                               |      |
|-------------------------------|------|
| Current - Maximum per Contact | 9A   |
| Voltage - Maximum             | 600V |

**Material Info**

|                 |           |
|-----------------|-----------|
| Old Part Number | 5558PBGSL |
|-----------------|-----------|

**Reference - Drawing Numbers**

|                         |                                       |
|-------------------------|---------------------------------------|
| Packaging Specification | PK-5556-003                           |
| Product Specification   | PS-5556-001, PS-5556-002, PS-5556-003 |
| Sales Drawing           | SD-5558-002                           |
| Test Summary            | TS-5556-002                           |

|   |  |
|---|--|
| <b>EU RoHS</b><br><b>ELV and RoHS</b><br><b>Compliant</b><br><b>REACH SVHC</b><br><b>Contains SVHC: No</b><br><b>Halogen-Free</b><br><b>Status</b><br><b>Halogen-Free</b> | <b>China RoHS</b><br> |
|---|--|

**Need more information on product environmental compliance?**

Email [productcompliance@molex.com](mailto:productcompliance@molex.com)  
 For a multiple part number RoHS Certificate of Compliance, [click here](#)

Please visit the [Contact Us](#) section for any non-product compliance questions.

**Search Parts in this Series**

[5558Series](#)

**Mates With**

[5556](#) Mini-Fit™ Crimp Terminal

**Use With**

[5559](#) Mini-Fit Jr.™ Plug Housing, [30068](#) Mini-Fit TPA™ Plug Housing, [42475](#) Mini-Fit BMI™ Plug Housing

**Application Tooling | FAQ**

*Tooling specifications and manuals are found by selecting the products below. Crimp Height Specifications are then contained in the Application Tooling Specification document.*

**Global**

| Description  | Product #                  |
|--|----------------------------|
| Extraction Tool  | <a href="#">0011030044</a> |
| Hand Crimp Tool for Mini-Fit™ Jr. Male and Female Crimp Terminals, 16-24 AWG | <a href="#">0638190900</a> |

**Japan****Description****Product #**Handtool (Straight  
Action) 0570225500Hand Crimp Tool 0570265000

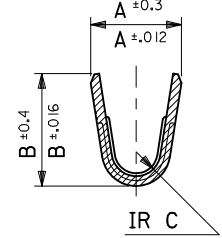
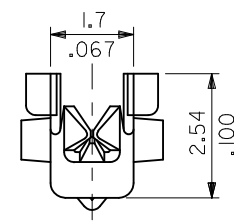
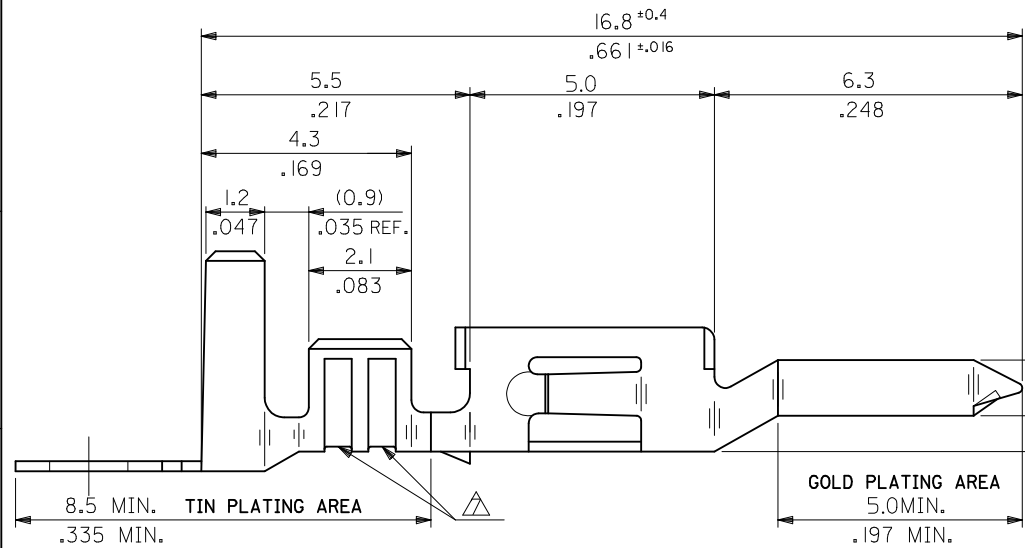
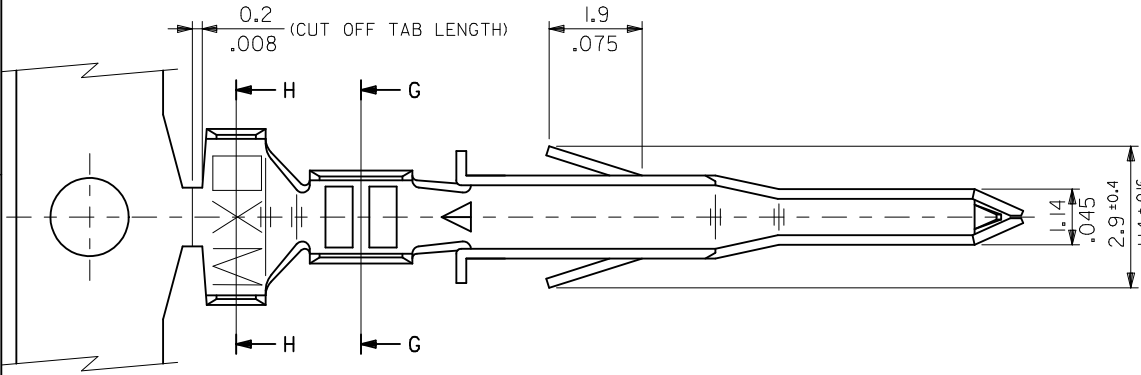
This document was generated on 06/01/2010

**PLEASE CHECK [WWW.MOLEX.COM](http://WWW.MOLEX.COM) FOR LATEST PART INFORMATION**

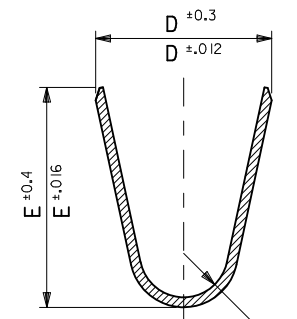
10 9 8 7 6 5 4 3 2 1

NOTES

1. MATERIAL: SEE CHART
2. FINISH: SEE CHART
3. PRODUCT SPECIFICATION: PS-5556-001, PS-5556-002, PS-5556-003.
4. PACKAGING SPECIFICATION: PK-5558-001 FOR CHAIN  
PK-5556-003 FOR LOOSE
5. MATES WITH TERMINAL: 5556 SERIES.
6. APPLICABLE HOUSING: 5559, 30068, 42475 SERIES.
7. THE NUMBER OF SERRATIONS TO BE ONE FOR WIRE RANGE #22-28.
8. WHEN TERMINALS ARE INSTALLED IN THE HOUSING THE WIRES ARE TO BE DRESSED IN SUCH A MANNER TO ALLOW THE TERMINALS TO FLOAT FREELY IN THE POCKET.
9. THIS TERMINAL IS DESIGNED FOR SINGLE WIRE CRIMPING.
10. PART CONFORMS TO CLASS "B" REQUIREMENTS OF COSMETIC SPECIFICATION PS-45499-002.



SECT. G-G



SECT. H-H

|  |  |  |  |                 |   |                    |                        |
|--|--|--|--|-----------------|---|--------------------|------------------------|
| <p><b>UPDATE NOTES</b><br/>                 EC NO: UCP2010-2478<br/>                 DRWN: J JAGUILAR 2010/04/06<br/>                 CHKD: JBELL '92/05/21<br/>                 APPR: FSMITH 2010/04/09</p> | <p>QUALITY SYMBOLS<br/>                 F7=0<br/>                 F7=0<br/>                 F7=0</p> | GENERAL TOLERANCES (UNLESS SPECIFIED)                |  | DIMENSION STYLE | SCALE   | DESIGN UNITS       | THIRD ANGLE PROJECTION |
|  |  |  |  | MM/IN           | 10:1  | METRIC             |                        |
|  |  |  |  | DRAWN BY        | DATE  | TITLE              |                        |
|  |  |  |  | CHECKED BY      | DATE  |                    |                        |
|  |  | ANGULAR ± 3 °  |  | APPROVED BY     | DATE  | MOLEX INCORPORATED |                        |
|  |  | DRAFT WHERE APPLICABLE MUST REMAIN WITHIN DIMENSIONS |  | FSMITH          | 2010/04/09  |                    |                        |
|  |  |  |  | MATERIAL NO.    | DOCUMENT NO.  | SD-5558-002        |                        |
|  |  |  |  | SEE CHART       |   |                    |                        |
|  |  |  |  | SIZE B          | THIS DRAWING CONTAINS INFORMATION THAT IS PROPRIETARY TO MOLEX INCORPORATED AND SHOULD NOT BE USED WITHOUT WRITTEN PERMISSION |                    |                        |
|  |  |  |  |                 |   | SHEET NO. 1 OF 2   |                        |

9 8 7 6 5 4 3 2 1

|  |  |   |             |             |              |              |                        |                        |                        |            |             |       |       |
|--|--|---|-------------|-------------|--------------|--------------|------------------------|------------------------|------------------------|------------|-------------|-------|-------|
| PHOSPHOR BRONZE  | SELECTIVE GOLD 0.76µm /30m.i. MIN. AND SELECTIVE TIN 2.03µm /80m.i. MIN. OVER NICKEL 1.27µm /50m.i. MIN. | 0.9<br>.035   | 4.5<br>.177 | 3.6<br>.142 | 0.6<br>.024  | 2.7<br>.106  | 2.3<br>.091            | ∅ 3.1<br>.122 MAX.     | # 16                   | 39-00-0224 | 5558 PBGS3L | LOOSE |       |
|  |  | 0.6<br>.024   | 2.3<br>.091 | 2.3<br>.091 | 0.4<br>.016  | 1.65<br>.065 | 1.8<br>.071            | ∅ 0.9-1.8<br>.035-.071 | #22-28                 | ↑ -0223    | ↑ PBGS3     | CHAIN |       |
|  |  | 0.6<br>.024   | 2.3<br>.091 | 2.3<br>.091 | 0.4<br>.016  | 1.65<br>.065 | 1.8<br>.071            | ∅ 0.9-1.8<br>.035-.071 | #22-28                 | -0222      | PBGS2L      | LOOSE |       |
|  |  | 0.9<br>.035   | 4.5<br>.177 | 3.6<br>.142 | 0.5<br>.020  | 2.3<br>.091  | 1.9<br>.075            | ∅ 1.3-3.1<br>.051-.122 | # 18-24                | -0221      | PBGS2       | CHAIN |       |
|  |  | 0.9<br>.035   | 4.5<br>.177 | 3.6<br>.142 | 0.5<br>.020  | 2.3<br>.091  | 1.9<br>.075            | ∅ 1.3-3.1<br>.051-.122 | # 18-24                | -0220      | PBGS1       | LOOSE |       |
|  |  | 0.9<br>.035   | 4.5<br>.177 | 3.6<br>.142 | 0.5<br>.020  | 2.3<br>.091  | 1.9<br>.075            | ∅ 1.3-3.1<br>.051-.122 | # 18-24                | -0219      | PBGS        | CHAIN |       |
|  | BRASS  | SELECTIVE GOLD 1.27µm /50m.i. MIN. AND SELECTIVE TIN 2.54µm /100m.i. MIN. OVER NICKEL 1.27µm /50m.i. MIN. | 0.9<br>.035 | 4.5<br>.177 | 3.6<br>.142  | 0.6<br>.024  | 2.7<br>.106            | 2.3<br>.091            | ∅ 3.1<br>.122 MAX.     | # 16       | ↓ -0148     | GS9L  | LOOSE |
|  |  |   | 0.6<br>.024 | 2.3<br>.091 | 2.3<br>.091  | 0.4<br>.016  | 1.65<br>.065           | 1.8<br>.071            | ∅ 0.9-1.8<br>.035-.071 | #22-28     | ↓ -0147     | GS9   | CHAIN |
|  |  |   | 0.6<br>.024 | 2.3<br>.091 | 2.3<br>.091  | 0.4<br>.016  | 1.65<br>.065           | 1.8<br>.071            | ∅ 0.9-1.8<br>.035-.071 | #22-28     | ↓ -0146     | GS8L  | LOOSE |
|  |  |   | 0.9<br>.035 | 4.5<br>.177 | 3.6<br>.142  | 0.5<br>.020  | 2.3<br>.091            | 1.9<br>.075            | ∅ 1.3-3.1<br>.051-.122 | # 18-24    | 39-00-0145  | GS8   | CHAIN |
|  |  |   | 0.9<br>.035 | 4.5<br>.177 | 3.6<br>.142  | 0.5<br>.020  | 2.3<br>.091            | 1.9<br>.075            | ∅ 1.3-3.1<br>.051-.122 | # 18-24    | 40-13-0854  | GS7L  | LOOSE |
|  |  |   | 0.9<br>.035 | 4.5<br>.177 | 3.6<br>.142  | 0.5<br>.020  | 2.3<br>.091            | 1.9<br>.075            | ∅ 1.3-3.1<br>.051-.122 | # 18-24    | 40-13-0853  | GS7   | CHAIN |
| SELECTIVE GOLD 0.38µm /15m.i. MIN. AND SELECTIVE TIN 2.03µm /80m.i. MIN. OVER NICKEL 1.27µm /50m.i. MIN. |  | 0.9<br>.035   | 4.5<br>.177 | 3.6<br>.142 | 0.6<br>.024  | 2.7<br>.106  | 2.3<br>.091            | ∅ 3.1<br>.122 MAX.     | # 16                   | 39-00-0100 | GS6L        | LOOSE |       |
|  |  | 0.6<br>.024   | 2.3<br>.091 | 2.3<br>.091 | 0.4<br>.016  | 1.65<br>.065 | 1.8<br>.071            | ∅ 0.9-1.8<br>.035-.071 | #22-28                 | ↑ -0099    | GS6         | CHAIN |       |
|  |  | 0.6<br>.024   | 2.3<br>.091 | 2.3<br>.091 | 0.4<br>.016  | 1.65<br>.065 | 1.8<br>.071            | ∅ 0.9-1.8<br>.035-.071 | #22-28                 | -0098      | GS5L        | LOOSE |       |
|  |  | 0.6<br>.024   | 2.3<br>.091 | 2.3<br>.091 | 0.4<br>.016  | 1.65<br>.065 | 1.8<br>.071            | ∅ 0.9-1.8<br>.035-.071 | #22-28                 | -0097      | GS5         | CHAIN |       |
|  |  | 0.9<br>.035   | 4.5<br>.177 | 3.6<br>.142 | 0.5<br>.020  | 2.3<br>.091  | 1.9<br>.075            | ∅ 1.3-3.1<br>.051-.122 | # 18-24                | -0076      | GS4L        | LOOSE |       |
|  |  | 0.9<br>.035   | 4.5<br>.177 | 3.6<br>.142 | 0.5<br>.020  | 2.3<br>.091  | 1.9<br>.075            | ∅ 1.3-3.1<br>.051-.122 | # 18-24                | -0075      | GS4         | CHAIN |       |
| SELECTIVE GOLD 0.76µm /30m.i. MIN. AND SELECTIVE TIN 2.03µm /80m.i. MIN. OVER NICKEL 1.27µm /50m.i. MIN. | 0.9<br>.035  | 4.5<br>.177   | 3.6<br>.142 | 0.6<br>.024 | 2.7<br>.106  | 2.3<br>.091  | ∅ 3.1<br>.122 MAX.     | # 16                   | -0096                  | GS3L       | LOOSE       |       |       |
|  | 0.6<br>.024  | 2.3<br>.091   | 2.3<br>.091 | 0.4<br>.016 | 1.65<br>.065 | 1.8<br>.071  | ∅ 0.9-1.8<br>.035-.071 | #22-28                 | -0095                  | GS3        | CHAIN       |       |       |
|  | 0.6<br>.024  | 2.3<br>.091   | 2.3<br>.091 | 0.4<br>.016 | 1.65<br>.065 | 1.8<br>.071  | ∅ 0.9-1.8<br>.035-.071 | #22-28                 | -0433                  | GS2L7F     | LOOSE       |       |       |
|  | 0.6<br>.024  | 2.3<br>.091   | 2.3<br>.091 | 0.4<br>.016 | 1.65<br>.065 | 1.8<br>.071  | ∅ 0.9-1.8<br>.035-.071 | #22-28                 | -0432                  | GS27F      | CHAIN       |       |       |
|  | 0.9<br>.035  | 4.5<br>.177   | 3.6<br>.142 | 0.5<br>.020 | 2.3<br>.091  | 1.9<br>.075  | ∅ 1.3-3.1<br>.051-.122 | # 18-24                | ↓ -0431                | ↓ GSL7F    | LOOSE       |       |       |
|  | 0.9<br>.035  | 4.5<br>.177   | 3.6<br>.142 | 0.5<br>.020 | 2.3<br>.091  | 1.9<br>.075  | ∅ 1.3-3.1<br>.051-.122 | # 18-24                | 39-00-0430             | 5558 GS7F  | CHAIN       |       |       |
| MATERIAL   | FINISH   | F   | E           | D           | C            | B            | A                      | INS. RANGE             | WIRE RANGE             | EDP NO.    | ENG NO.     | FORM  |       |

|   |                                      |                                       |  |                 |  |              |              |                        |        |   |  |
|---|--------------------------------------|---------------------------------------|--|-----------------|--|--------------|--------------|------------------------|--------|---|--|
| UPDATE TITLE BLOCK<br>EC NO: UCP2010-2478<br>DRWN: J JAGUILAR 2010/04/06<br>CHKD: JBELL '92/05/21<br>APPR: FSMITH 2010/04/09<br>REV<br>E1   | QUALITY SYMBOLS<br>∇=0<br>∇=0<br>∇=0 | GENERAL TOLERANCES (UNLESS SPECIFIED) |  | DIMENSION STYLE |  | SCALE        | DESIGN UNITS | THIRD ANGLE PROJECTION |        |   |  |
|   |                                      | mm                                    |  | INCH            |  | MM/IN        |              | 10:1                   | METRIC |   |  |
|   |                                      | DRAWN BY                              |  | DATE            |  | CHECKED BY   |              | DATE                   |        | TITLE   |  |
|   |                                      | H.HIRAMOTO                            |  | '91/03/13       |  | M.FUKUSHIMA  |              | '92/05/21              |        | MINI-FIT JR SELECT GOLD MALE CRIMP TERMINAL -LEAD FREE- |  |
| APPROVED BY   |                                      | DATE                                  |  | MATERIAL NO.    |  | DOCUMENT NO. |              | SHEET NO.              |        |   |  |
| FSMITH  |                                      | 2010/04/09                            |  | SEE CHART       |  | SD-5558-002  |              | 2 OF 2                 |        |   |  |
| DRAFT WHERE APPLICABLE MUST REMAIN WITHIN DIMENSIONS<br>THIS DRAWING CONTAINS INFORMATION THAT IS PROPRIETARY TO MOLEX INCORPORATED AND SHOULD NOT BE USED WITHOUT WRITTEN PERMISSION |                                      |                                       |  |                 |  |              |              |                        |        |   |  |