

PLEASE CHECK WWW.MOLEX.COM FOR LATEST PART INFORMATION

Part Number: [0190240001](#)
Status: **Active**
Description: VibraKrimp™ Quick Disconnect, Male, for 18-22 (0.80-0.35) Wire, Box, Tab 6.35mm (.250") x 0.81mm (.032")

Documents:

[Drawing \(PDF\)](#) [RoHS Certificate of Compliance \(PDF\)](#)

General

Product Family	Quick Disconnects
Series	19024
Comments	Brass Sleeve with Funnel Ferrule Entry
Crimp Quality Equipment	Yes
Product Name	VibraKrimp™
Type	Quick Disconnect

Physical

Barrel Type	Closed
Gender	Male
Glow-Wire Compliant	No
Insulation	None
Lock to Mating Part	None
Material - Metal	Copper
Orientation	Straight
Packaging Type	Bag
Polarized to Mating Part	No
Tab Thickness	0.81mm (.032")
Tab Width	6.35mm (.250")
Temperature Range - Operating	Per Wire Specification
Wire Insulation Diameter	3.60mm (.142") max.
Wire Size AWG	18, 20, 22
Wire Size mm²	0.35 - 0.80

Electrical

Voltage - Maximum	Per Wire Specification
-------------------	------------------------

Material Info

Old Part Number	AMCT-4
-----------------	--------

Reference - Drawing Numbers

Sales Drawing	SD-19024-001
---------------	--------------

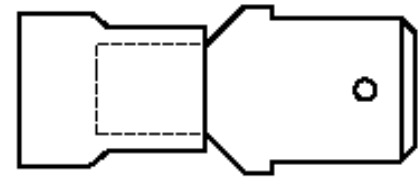


image - Reference only

Series

EU RoHS

ELV and RoHS Compliant
REACH SVHC
 Not Reviewed
Halogen-Free Status
 Not Reviewed

China RoHS



Need more information on product environmental compliance?

Email productcompliance@molex.com
 For a multiple part number RoHS Certificate of Compliance, [click here](#)

Please visit the [Contact Us](#) section for any non-product compliance questions.

Search Parts in this Series

[19024Series](#)

Application Tooling | FAQ

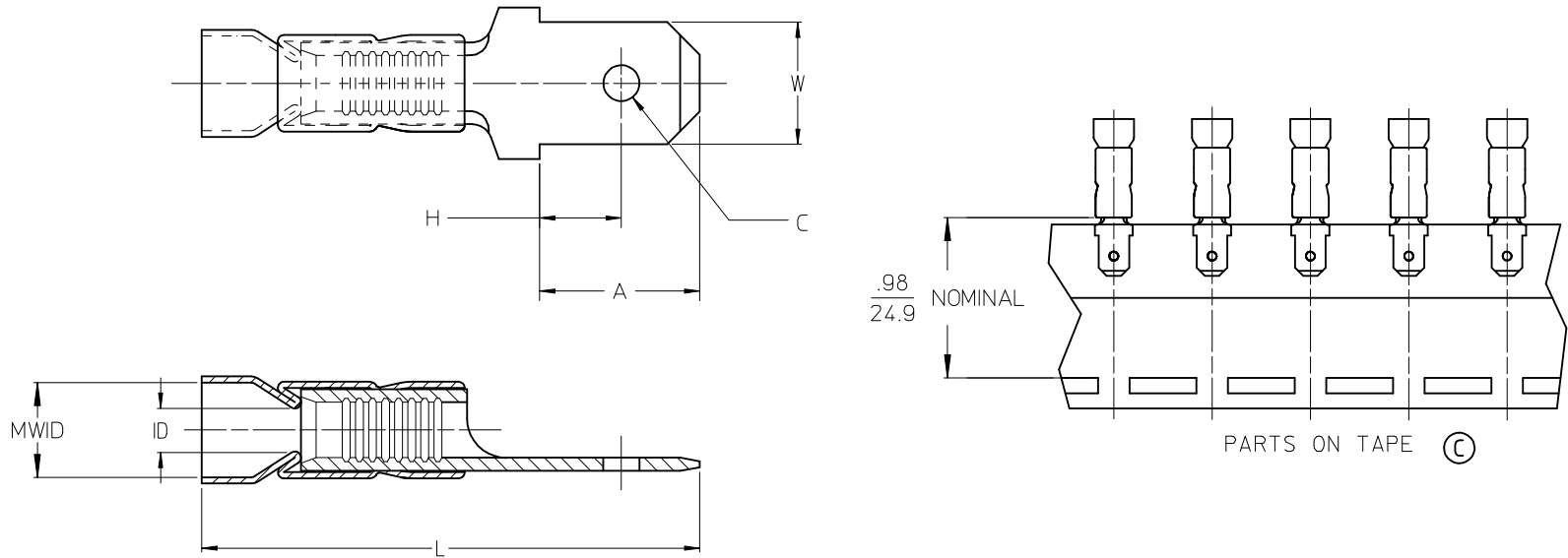
Tooling specifications and manuals are found by selecting the products below. Crimp Height Specifications are then contained in the Application Tooling Specification document.

Global

Description	Product #
Hand Crimp Tool	0640016600
Crimp Head for the AT-200™ Pneumatic Hand Tool	0640056600

10	9	8	7	6	5	4	3	2	19024				
LOOSE PC MATERIAL NO.	LOOSE PC ENGINEER'G NO.	ON TAPE MATERIAL NO.	ON TAPE ENGINEERING NO.	WIRE RANGE	ID MIN	MWID	L ± .03 0.8	W ± .005 0.13	A MIN	H MAX	C ± .007 0.18	TERMINAL MAT'L, THICKNESS - REF	TERMINAL FINISH
190240001	AMCT-4	190240004	AMCT-4T	22-18AWG (0.38-.96mm ²)	.054/1.37	.138/3.50	.857/21.77	.250/6.35	.30/7.6	.14/3.6	.075/1.91	BRASS, .032/0.81	ZINC CHROMATE
190240007	MCT-4	190240009	MCT-4T	16-14 AWG (1.23-1.94mm ²)	.081/2.06	.169/4.29	.857/21.77	.250/6.35	.30/7.6	.14/3.6	.075/1.91	BRASS, .032/0.81	ZINC CHROMATE
190240005	CMCT-4	190240006	CMCT-4T	12-10AWG (3.09-5.01mm ²)	.128/3.25	.232/5.89	.994/25.25	.250/6.35	.30/7.6	.14/3.6	.075/1.91	BRASS, .032/0.81	ZINC CHROMATE
190240002	AMCT-47	-	-	22-18AWG (0.38-.96mm ²)	.054/1.37	.138/3.50	.762/19.36	.187/4.75	.24/6.1	.13/3.3	.055/1.40	BRASS, .020/0.51	ZINC CHROMATE
190240008	MCT-47	-	-	16-14 AWG (1.23-1.94mm ²)	.081/2.06	.169/4.29	.762/19.36	.187/4.75	.24/6.1	.13/3.3	.055/1.40	BRASS, .020/0.51	ZINC CHROMATE

Ⓒ ENTIRE CHART



NOTES:

1. TERMINAL MATERIAL & FINISH: SEE CHART
2. FERRULE:
MATERIAL: BRASS
FINISH: TIN Ⓒ
3. TAB DIMENSIONS CONFORM TO UL310 SPECIFICATIONS.
4. PART IS ROHS COMPLIANT.
- Ⓒ 5. MWID = MAXIMUM WIRE INSULATION DIAMETER

REDWN W/MATL & FIN CHG EC NO: ETC2007-0081 DRW: JHLE 2008/01/28 CHKD: JMAGNEIL 2008/01/28 APPR: JMAGNEIL 2008/02/13	DESCRIPTION REV	QUALITY SYMBOLS ▽=0 ▽=0	GENERAL TOLERANCES (UNLESS SPECIFIED)	DIMENSION STYLE IN/MM Ⓒ	SCALE 4:1	DESIGN UNITS INCH	THIRD ANGLE PROJECTION													
		<table border="1"> <thead> <tr> <th></th> <th>mm</th> <th>INCH</th> </tr> </thead> <tbody> <tr> <td>4 PLACES</td> <td>± ---</td> <td>± ---</td> </tr> <tr> <td>3 PLACES</td> <td>± ---</td> <td>± .005</td> </tr> <tr> <td>2 PLACES</td> <td>± 0.13</td> <td>± .01</td> </tr> <tr> <td>1 PLACE</td> <td>± 0.25</td> <td>± ---</td> </tr> </tbody> </table>		mm	INCH	4 PLACES	± ---	± ---	3 PLACES	± ---	± .005	2 PLACES	± 0.13	± .01	1 PLACE	± 0.25	± ---	DRAWN BY: RCM DATE: 1992/02/14 CHECKED BY: RWD DATE: 1992/02/14 APPROVED BY: RWD DATE: 1992/02/14	TITLE MALE CONNECTOR TERMINAL, VIBRAKRIMP .250 X .032 TAB	
			mm	INCH																
		4 PLACES	± ---	± ---																
3 PLACES	± ---	± .005																		
2 PLACES	± 0.13	± .01																		
1 PLACE	± 0.25	± ---																		
DRAFT WHERE APPLICABLE MUST REMAIN WITHIN DIMENSIONS		MATERIAL NO. SEE CHART	DOCUMENT NO. SD-19024-001	SHEET NO. 1 OF 1																
THIS DRAWING CONTAINS INFORMATION THAT IS PROPRIETARY TO MOLEX INCORPORATED AND SHOULD NOT BE USED WITHOUT WRITTEN PERMISSION																				