

PLEASE CHECK WWW.MOLEX.COM FOR LATEST PART INFORMATION

Part Number: [0190740021](#)
Status: **Active**
Description: Krimptite™ Steel Star Ring Tongue Terminal for 14-16 AWG Wire, Stud Size 6

Documents:

[Drawing \(PDF\)](#) [RoHS Certificate of Compliance \(PDF\)](#)

Agency Certification

CSA LR18689
 UL E32244

General

Product Family Ring and Spade Terminals
 Series [19074](#)
 Crimp Quality Equipment Yes
 Mil-Spec N/A
 Product Name Krimptite™
 Type Ring

Physical

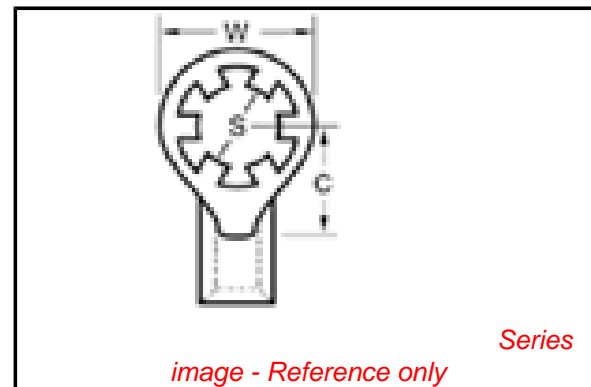
Barrel Type Closed
 Insulation None
 Material - Plating Mating Tin
 Packaging Type Bag
 Stud Size 6 (M3.5)
 Wire Size AWG 14, 16
 Wire Size mm² 1.00 - 2.60

Material Info

Old Part Number SRB-S-129-06

Reference - Drawing Numbers

Sales Drawing SD-19074-001



EU RoHS

ELV and RoHS Compliant
REACH SVHC Contains SVHC: No
Halogen-Free Status

China RoHS



Halogen-Free

Need more information on product environmental compliance?

Email productcompliance@molex.com
 For a multiple part number RoHS Certificate of Compliance, [click here](#)

Please visit the [Contact Us](#) section for any non-product compliance questions.

Search Parts in this Series

[19074Series](#)

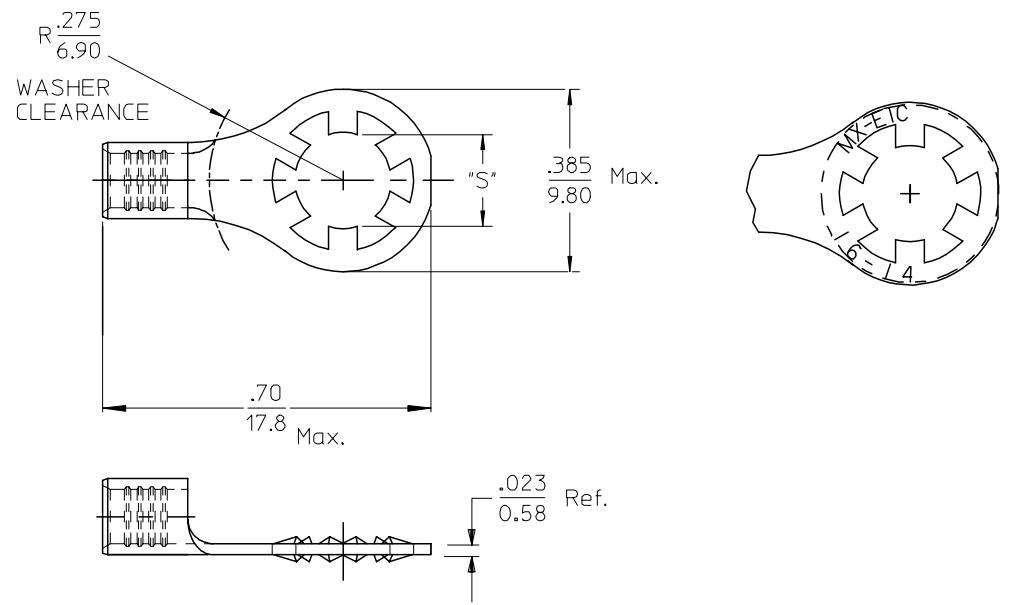
Application Tooling | [FAQ](#)

Tooling specifications and manuals are found by selecting the products below. Crimp Height Specifications are then contained in the Application Tooling Specification document.

Global

Description	Product #
Hand Crimp Tool	0640031200
Crimp Head for the AT-200™ Pneumatic Hand Tool	0640071200

MATERIAL NO.	ENG. NO.	STUD SIZE	"S" DIA.
190740015	SRB-129-06	6	.146
190740017	SRB-129-08	8	.173
190740019	SRB-129-10	10	.198



MATERIAL: BRASS
FINISH: ELECTRO-TIN PLATING

INITIAL RELEASE
EC NO: ETC2006-0358
DRWN: JSCHOLEY 2006/04/10
CHKDR: DEROSS 2006/04/12
APPR: RDEROSS 2006/04/13

REV	DESCRIPTION
A	

	QUALITY SYMBOLS	
		$\nabla=0$
		$\nabla=0$

GENERAL TOLERANCES (UNLESS SPECIFIED)	
	INCH
4 PLACES	$\pm .005$
3 PLACES	$\pm .005$
2 PLACES	$\pm .01$
1 PLACE	$\pm .01$
ANGULAR $\pm 1/2^\circ$	

DIMENSION STYLE	SCALE	DESIGN UNITS	THIRD ANGLE PROJECTION
IN/MM	4:1	INCH	
DRAWN BY	DATE	TITLE	
JBS	2006/04/05	LOCKING RING TONGUE TERMINAL 16-14 AWG	
CHECKED BY	DATE	MOLEX INCORPORATED	
R DEROSS	2006/04/05	MOLEX INCORPORATED	
APPROVED BY	DATE	MATERIAL NO.	DOCUMENT NO.
R DEROSS	2006/04/05	SEE CHART	SD-19074-001
DRAFT WHERE APPLICABLE MUST REMAIN WITHIN DIMENSIONS		SIZE	SHEET NO.
		B	1 OF 1
THIS DRAWING CONTAINS INFORMATION THAT IS PROPRIETARY TO MOLEX INCORPORATED AND SHOULD NOT BE USED WITHOUT WRITTEN PERMISSION			