

PLEASE CHECK WWW.MOLEX.COM FOR LATEST PART INFORMATION

Part Number: [0194320001](#)
Status: **Active**
Overview: [mx150l sealed connector system](#)
Description: MX150L™ 4 Circuit Female Receptacle for 10-12 AWG Wire

Documents:

[3D Model](#) [Product Specification PS-19432-001 \(PDF\)](#)
[Drawing \(PDF\)](#) [RoHS Certificate of Compliance \(PDF\)](#)

Agency Certification

CSA LR18689
 UL E152602

General

Product Family Crimp Housings
 Series [19432](#)
 Comments Mat Seal Color is Yellow, Polarized to Mating Part
 Overview [mx150l sealed connector system](#)
 Product Literature Order No 987650-2181
 Product Name MX150L™

Physical

Circuits (maximum) 4
 Circuits Detail 2x2
 Flammability 94V-0
 Gender Female
 Glow-Wire Compliant No
 Keying to Mating Part N/A
 Lock to Mating Part Yes
 Number of Rows 2
 Packaging Type Bag
 Panel Mount No
 Pitch - Mating Interface (in) 0.230 In
 Pitch - Mating Interface (mm) 5.84 mm
 Polarized to Mating Part Yes
 Stackable No
 Temperature Range - Operating -40°C to +125°C

Electrical

Current - Maximum per Contact 18A

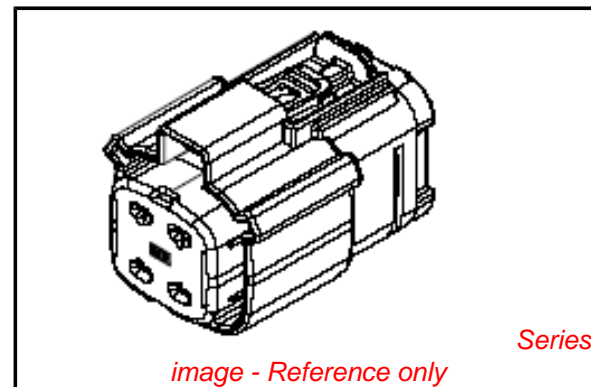
Solder Process Data

Max. Cycles at Max. Process Temperature 0

Material Info

Reference - Drawing Numbers

Packaging Specification PK-19432-001
 Product Specification PS-19432-001
 Sales Drawing SD-19432-002



EU RoHS

**ELV and RoHS
 Compliant**
REACH SVHC
 Not Reviewed
**Halogen-Free
 Status**
Not Reviewed

China RoHS



**Need more information on product
 environmental compliance?**

Email productcompliance@molex.com
 For a multiple part number RoHS Certificate of
 Compliance, [click here](#)

Please visit the [Contact Us](#) section for any
 non-product compliance questions.

Search Parts in this Series

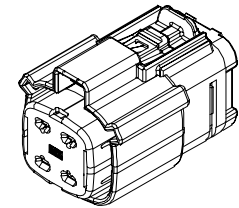
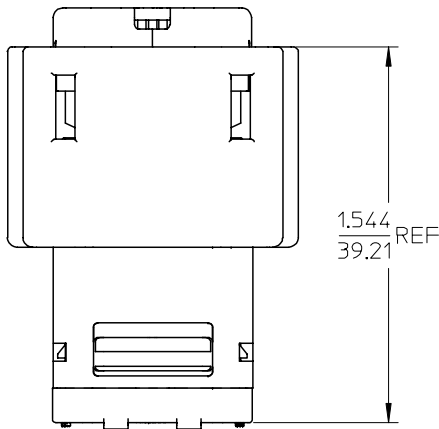
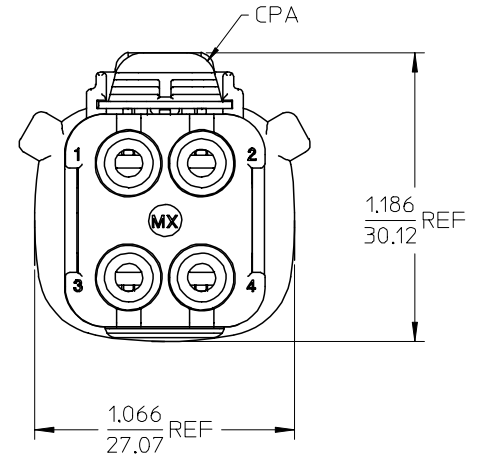
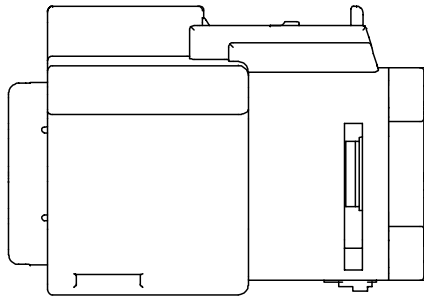
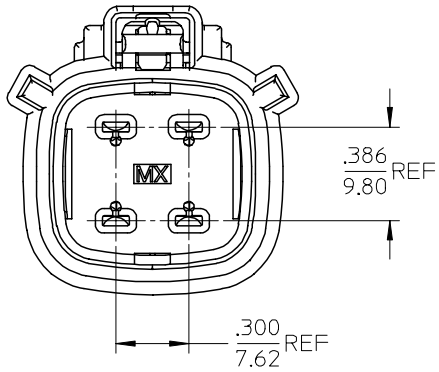
[19432Series](#)

Mates With

[19433-0001 Male Plug](#)

Use With

[19434 Female Terminals](#)



194320001	10-12	YES
194320002	8	
194320003	10-12	NO
194320004	8	
MATERIAL NUMBER	UL WIRE AWG	CPA

PRODUCT RELEASE EC NO: ETC2005-0069 DRWN:BRUPERT 2004/10/25 CHKD:JPWLICK 2004/10/25 APPR:RDEROSS 2004/10/25	QUALITY SYMBOLS ▽=0 ▽=0	GENERAL TOLERANCES (UNLESS SPECIFIED) <table border="1"> <tr> <td></td> <td>mm</td> <td>INCH</td> </tr> <tr> <td>4 PLACES</td> <td>± ---</td> <td>± ---</td> </tr> <tr> <td>3 PLACES</td> <td>± ---</td> <td>± .015</td> </tr> <tr> <td>2 PLACES</td> <td>± 0.38</td> <td>± ---</td> </tr> <tr> <td>1 PLACE</td> <td>± ---</td> <td>± ---</td> </tr> </table> ANGULAR ± 1 °		mm	INCH	4 PLACES	± ---	± ---	3 PLACES	± ---	± .015	2 PLACES	± 0.38	± ---	1 PLACE	± ---	± ---	DIMENSION STYLE IN/MM	SCALE 2:1	DESIGN UNITS INCH	THIRD ANGLE PROJECTION
		mm	INCH																		
	4 PLACES	± ---	± ---																		
	3 PLACES	± ---	± .015																		
2 PLACES	± 0.38	± ---																			
1 PLACE	± ---	± ---																			
DRAWN BY B.RUPERT	DATE 04/09/29	TITLE 4 WAY RECEPTACLE ASSEMBLY																			
CHECKED BY JPWLICK	DATE 04/09/29	MOLEX INCORPORATED																			
APPROVED BY R.DEROSS	DATE 04/09/29	MATERIAL NO. SEE CHART	DOCUMENT NO. SD-19432-002	SHEET NO. 1 OF 1																	

- NOTES:
1. ASSEMBLY PACKAGED PER PK-19432-001
 2. USE CONNECTOR WITH FEMALE CRIMP TERMINAL; SERIES 19434.