

PLEASE CHECK WWW.MOLEX.COM FOR LATEST PART INFORMATION

Part Number: **0340620033**
Status: **Active**
Overview: mx150 sealed connector system
Description: 5.00mm (.197") Pitch MX150™ Sealed Female Receptacle, Single Row, 2 Circuits, Keying Option C with Clip Slot, Black

Documents:

3D Model	Product Specification PS-34062-000 (PDF)
Application Specification (PDF)	RoHS Certificate of Compliance (PDF)
Drawing (PDF)	



General

Product Family	Crimp Housings
Series	<u>34062</u>
Comments	No Connector Position Assurance (CPA)
More Detailed Tech Information	http://ewcap.uscarteams.org
Overview	<u>mx150 sealed connector system</u>
Product Name	MX150™

Physical

Circuits (maximum)	2
Circuits Detail	2
Color - Resin	Black
Gender	Female
Glow-Wire Compliant	No
Keying to Mating Part	Yes
Lock to Mating Part	Yes
Material - Resin	Nylon
Number of Rows	2
Packaging Type	Bag
Panel Mount	No
Pitch - Mating Interface (in)	0.197 In
Pitch - Mating Interface (mm)	5.00 mm
Pitch - Term. Interface (in)	0.197 In
Pitch - Term. Interface (mm)	5.00 mm
Polarized to Mating Part	Yes
Stackable	No
Temperature Range - Operating	-40°C to +125°C

Electrical

Current - Maximum per Contact	22A
-------------------------------	-----

Material Info

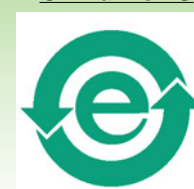
Reference - Drawing Numbers

Application Specification	AS-34062-000
Packaging Specification	PK-30907-879
Product Specification	PS-34062-000
Sales Drawing	SD-34062-002

EU RoHS

ELV and RoHS Compliant
REACH SVHC Contains SVHC: No
Halogen-Free Status
Not Reviewed

China RoHS



Need more information on product environmental compliance?

Email productcompliance@molex.com
 For a multiple part number RoHS Certificate of Compliance, [click here](#)

Please visit the [Contact Us](#) section for any non-product compliance questions.

Search Parts in this Series

34062Series

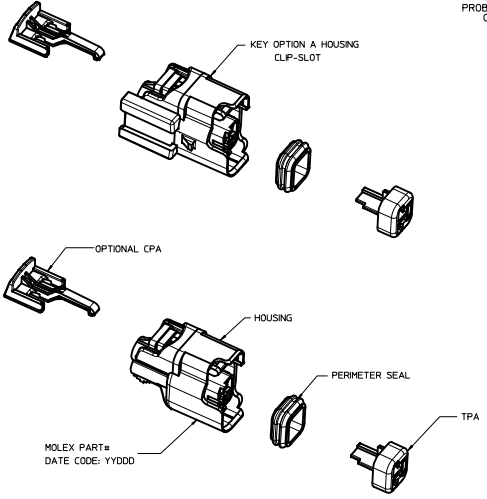
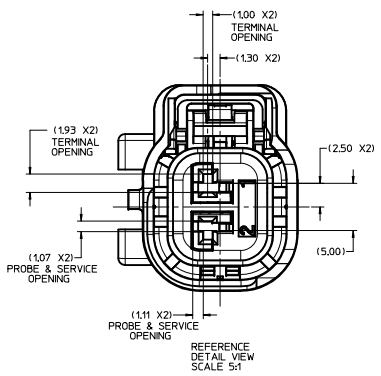
Mates With

34675 MX150™ Cable-Sealed Male Connector

Use With

34083 Female Terminal

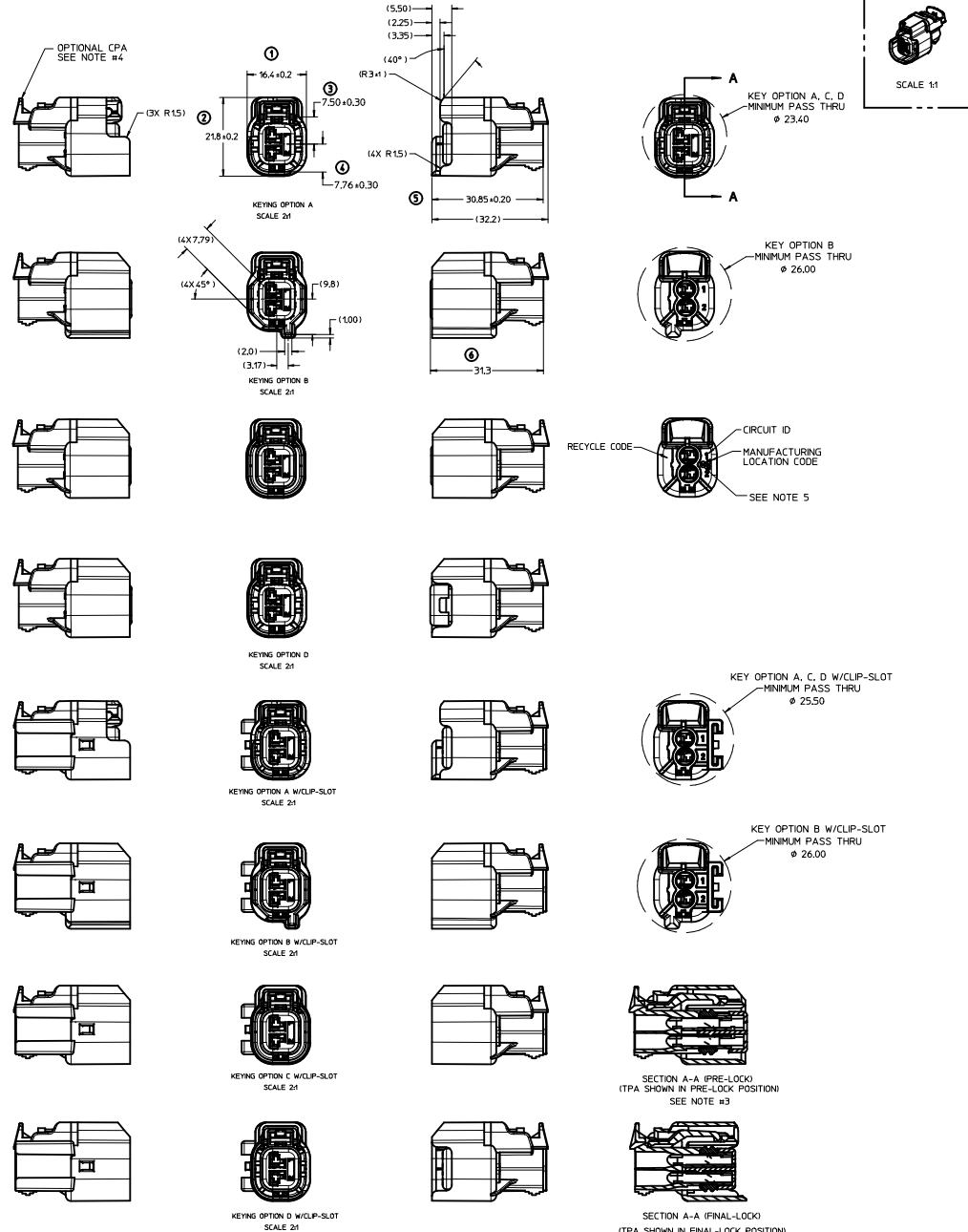
ASSEMBLY PART NUMBER	COLOR	KEYING OPTION	CPA	CLIP-SLOT
34062-0021	BLACK	A	NO	NO
34062-0022	LT. GRAY	B	NO	NO
34062-0023	BLACK	C	NO	NO
34062-0024	BLACK	D	NO	NO
34062-0029	LT. GRAY	D	NO	NO
34062-0025	BLACK	A	YES	NO
34062-0026	LT. GRAY	B	YES	NO
34062-0027	BLACK	C	YES	NO
34062-0028	BLACK	D	YES	NO
34062-0030	LT. GRAY	D	YES	NO
34062-0031	BLACK	A	NO	YES
34062-0032	LT. GRAY	B	NO	YES
34062-0033	BLACK	C	NO	YES
34062-0034	BLACK	D	NO	YES
34062-0035	LT. GRAY	D	NO	YES
34062-0036	BLACK	A	YES	YES
34062-0037	LT. GRAY	B	YES	YES
34062-0038	BLACK	C	YES	YES
34062-0039	BLACK	D	YES	YES
34062-0040	LT. GRAY	D	YES	YES



- NOTES: UNLESS OTHERWISE SPECIFIED
- ASSEMBLY CONFORMS TO: SAE/USCAR-12, REV 2; SAE/USCAR-2 REV 4; EXCEPT TPA REMOVAL FROM FINAL LOCK - SECOND CYCLE SHALL NOT BE LESS THAN 12 NEWTONS. SAE/USCAR-20 DEC 2001
 - DESIGNED TO MATE WITH DEVICE CONNECTION AS SPECIFIED IN EWCAP DRAWING 150-S-002-1-Z01 REV A (9-18-2003).
 - ASSEMBLY SHIPPED WITH TPA IN PRE-LOCK POSITION (SEE SECTION A-A PRE-LOCK). UPON FULL TERMINAL ASSEMBLY, EACH TPA MUST BE SNAPPED INTO ITS FINAL-LOCK POSITION (SEE SECTION A-A FINAL-LOCK)
 - OPTIONAL CPA IN PRE-LOCK POSITION SHOWN IN ALL VIEWS.
 - KEYING OPTION AND ASSEMBLY MACHINE IDENTIFIER.
 - RECYCLE CODES FOR COMPONENTS
PERIMETER SEAL: SILICON 30 DUROMETER
HOUSING: DSM AKULON K-FHG6
TPA/CPA: PBT-GF30
 - SYSTEM TESTED USING ESB-M1123-A WIRE.
 - DISCOLORATION AT THE HOLDING KNOT LINES DOES NOT AFFECT PRODUCT PERFORMANCE.

QTY	DESCRIPTION	REF	QTY	DESCRIPTION	REF	QTY	DESCRIPTION	REF	QTY	DESCRIPTION	REF
22	0.50	34083-2003	RIGHT	TIN	22	E-1644-01	-	1.19-1.65			
22	0.50	34083-3003	LEFT	TIN	22	E-1644-01	-	1.19-1.65			PINK
22	0.50	34081-2005	RIGHT	GOLD	22	E-1644-01	-	1.19-1.65			
22	0.50	34081-3005	LEFT	GOLD	22	E-1644-01	-	1.19-1.65			
20	0.75	34083-2002	RIGHT	TIN	18/20	E-1644-00	-	1.60-2.10			GREEN
20	0.75	34083-3002	LEFT	TIN	18/20	E-1644-00	-	1.60-2.10			
20	0.75	34081-2004	RIGHT	GOLD	18/20	E-1644-00	-	1.60-2.10			
20	0.75	34081-3004	LEFT	GOLD	18/20	E-1644-00	-	1.60-2.10			
18	1.0	34083-3002	RIGHT	TIN	18/20	E-1644-00	-	1.60-2.10			GREEN
18	1.0	34083-3002	LEFT	TIN	18/20	E-1644-00	-	1.60-2.10			
18	1.0	34081-2004	RIGHT	GOLD	18/20	E-1644-00	-	1.60-2.10			
18	1.0	34081-3004	LEFT	GOLD	18/20	E-1644-00	-	1.60-2.10			
16	1.5	34083-3001	RIGHT	TIN	14/16	E-1644-02	-	2.10-2.50			YELLOW
16	1.5	34083-3001	LEFT	TIN	14/16	E-1644-02	-	2.10-2.50			
16	1.5	34081-2003	RIGHT	GOLD	14/16	E-1644-02	-	2.10-2.50			
16	1.5	34081-3003	LEFT	GOLD	14/16	E-1644-02	-	2.10-2.50			
14	1.5	34083-2001	RIGHT	TIN	14/16	-	7.158-3033-40	2.54-2.69			GRAY
14	1.5	34083-3001	LEFT	TIN	14/16	-	7.158-3033-40	2.54-2.69			
14	1.5	34081-2003	RIGHT	GOLD	14/16	-	7.158-3033-40	2.54-2.69			
14	1.5	34081-3003	LEFT	GOLD	14/16	-	7.158-3033-40	2.54-2.69			
AWG	METRIC	MOLEX	PAYOFF	PLATING	GRIP	OSR	P/N	YAZAKI	P/N	WIRE OD	COLOR
WIRE SIZE	PART NUMBER	DIRECTION	TERMINAL							CABLE SEAL	

INSPECTION NUMBER LOG
LAST NUMBER USED: 6
ADDED: 6
REMOVED:



ENTER DESCRIPTION EC NO. UAU0009-0706 IT DRAWING REF THIS 2007/04/18 APPROXIMATES THIS 2007/07/26	QUALITY SYMBOLS ▽=0 ▽=0	GENERAL TOLERANCES (UNLESS SPECIFIED) mm ± --- INCH ± --- ANGULAR ± 3°	DIMENSION STYLE MM ONLY	SCALE 2:1	DESIGN UNITS METRIC	THIRD ANGLE PROJECTION
	DRAWN BY DHZHANG CHECKED BY DGRIFITHS APPROVED BY SMARCEAU	DATE 2007/03/16 DATE 2007/04/18 DATE 2007/04/18	TITLE CONNECTOR ASSEMBLY 2-WAY FUEL 15MM FEMALE FUEL INJECTOR CONNECTOR	MATERIAL NO. SEE CHART DOCUMENT NO. SD-34062-002	SHEET NO. 1 OF 1	

THIS DRAWING CONTAINS INFORMATION THAT IS PROPRIETARY TO MOLEX INCORPORATED AND SHOULD NOT BE USED WITHOUT WRITTEN PERMISSION