

PLEASE CHECK WWW.MOLEX.COM FOR LATEST PART INFORMATION

Part Number: [0352040192](#)
Status: **Active**
Description: 2.36mm (.093") Diameter Wire-to-Board Header, Vertical, with Positive Latch, 1 Circuit, Lead-free, Red

Documents:

[3D Model](#) [RoHS Certificate of Compliance \(PDF\)](#)
[Drawing \(PDF\)](#)

General

Product Family PCB Headers
 Series [35204](#)
 Application Wire-to-Board
 Product Name N/A

Physical

Breakaway No
 Circuits (Loaded) 1
 Circuits (maximum) 1
 Durability (mating cycles max) 30
 First Mate / Last Break No
 Glow-Wire Compliant No
 Guide to Mating Part No
 Keying to Mating Part None
 Lock to Mating Part Yes
 Material - Plating Mating Tin
 Material - Plating Termination Tin
 Number of Rows 1
 Orientation Vertical
 PC Tail Length (in) 0.154 In
 PC Tail Length (mm) 3.90 mm
 PCB Locator No
 PCB Retention Yes
 PCB Thickness Recommended (in) 0.062 In
 PCB Thickness Recommended (mm) 1.60 mm
 Packaging Type Tube
 Pitch - Mating Interface (in) 0.000 In
 Pitch - Mating Interface (mm) 0.00 mm
 Pitch - Term. Interface (in) 0.000 In
 Pitch - Term. Interface (mm) 0.00 mm
 Polarized to Mating Part Yes
 Polarized to PCB No
 Shrouded Fully
 Stackable No
 Surface Mount Compatible (SMC) No
 Temperature Range - Operating -40°C to +105°C
 Termination Interface: Style Through Hole

Electrical

Current - Maximum per Contact 7A
 Voltage - Maximum 300V

Material Info

Reference - Drawing Numbers

Sales Drawing SD-35204-001

EU RoHS

ELV and RoHS Compliant

REACH SVHC

Not Reviewed

Halogen-Free

Status

Not Reviewed

China RoHS



Need more information on product environmental compliance?

Email productcompliance@molex.com
 For a multiple part number RoHS Certificate of Compliance, [click here](#)

Please visit the [Contact Us](#) section for any non-product compliance questions.

Search Parts in this Series

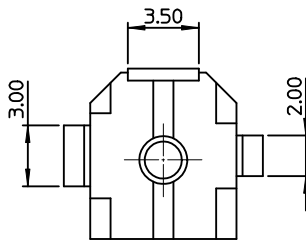
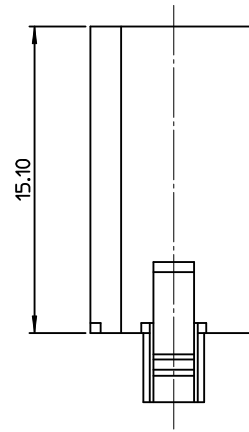
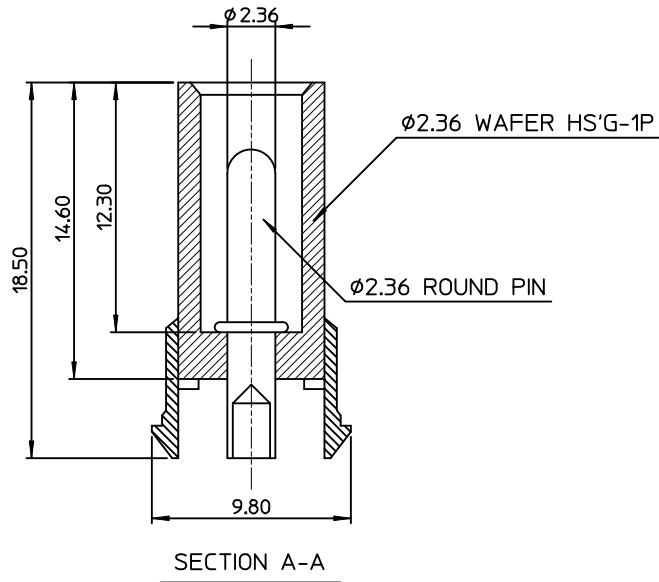
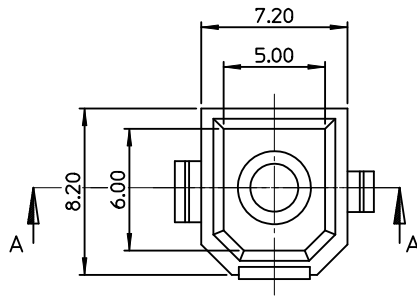
[35204Series](#)

Mates With

[35108 Wire-to-Board Housing](#)

This document was generated on 04/13/2010

PLEASE CHECK WWW.MOLEX.COM FOR LATEST PART INFORMATION



NOTES.

1. MATERIAL & COLOR : SEE TABLE

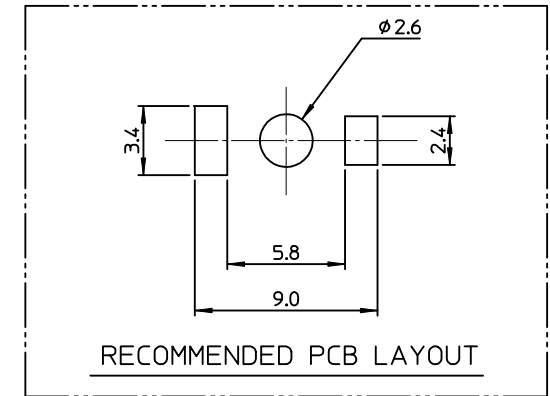
TABLE	ENG.NO.	COLOR
	35204-01*2	RED
	35204-01*3	YELLOW
	35204-01*4	BLUE
	35204-01*5	GREEN
35204-01*6	WHITE	

* 4 : PA66 9 : PC/PET

2. MATES HOUSING : 35108-01**

3. MATES PIN : 35601-1561

4. TYPICAL RECOMMENDED PCB MANUFACTURING TOLERANCE IS ±0.1



REVISED EC NO: KOR2010-0139 2010/03/19 DRW: HITSONG 2010/03/20 CHK: DWYANG 2010/03/22 APPR: YUNSIKIM	DESCRIPTION 2.36 DIA WAFER-1P	QUALITY SYMBOLS	GENERAL TOLERANCES (UNLESS SPECIFIED)	DIMENSION STYLE	SCALE	DESIGN UNITS	THIRD ANGLE PROJECTION																		
		$\nabla=0$ $\sphericalangle=0$	<table border="1"> <thead> <tr> <th></th> <th>mm</th> <th>INCH</th> </tr> </thead> <tbody> <tr> <td>4 PLACES</td> <td>± ---</td> <td>± ---</td> </tr> <tr> <td>3 PLACES</td> <td>± ---</td> <td>± ---</td> </tr> <tr> <td>2 PLACES</td> <td>± 0.30</td> <td>± ---</td> </tr> <tr> <td>1 PLACE</td> <td>± 0.30</td> <td>± ---</td> </tr> <tr> <td colspan="3">ANGULAR ± 3 °</td> </tr> </tbody> </table>		mm	INCH	4 PLACES	± ---	± ---	3 PLACES	± ---	± ---	2 PLACES	± 0.30	± ---	1 PLACE	± 0.30	± ---	ANGULAR ± 3 °			MM ONLY	4:1	METRIC	
			mm	INCH																					
		4 PLACES	± ---	± ---																					
		3 PLACES	± ---	± ---																					
2 PLACES	± 0.30	± ---																							
1 PLACE	± 0.30	± ---																							
ANGULAR ± 3 °																									
		DRAWN BY	DATE	TITLE																					
		WY. YANG	1996/01/12	2.36 DIA WAFER-1P																					
		CHECKED BY	DATE	MATERIAL NO.																					
		BK. CHOI	1996/01/12	SD-35204-001																					
		APPROVED BY	DATE	SHEET NO.																					
		CW. LEE	1996/01/12	1 OF 1																					
		DRAFT WHERE APPLICABLE MUST REMAIN WITHIN DIMENSIONS		MOLEX INCORPORATED THIS DRAWING CONTAINS INFORMATION THAT IS PROPRIETARY TO MOLEX INCORPORATED AND SHOULD NOT BE USED WITHOUT WRITTEN PERMISSION																					