

**PLEASE CHECK WWW.MOLEX.COM FOR LATEST PART INFORMATION**

**Part Number:** [0354076502](#)  
**Status:** **Active**  
**Description:** 2.28mm (.090") Terminal, Female, 0.85-1.25 AVSS, 0.25mm (.010") Thickness, Pre-Tin Plated

**Documents:**

[Drawing \(PDF\)](#) [RoHS Certificate of Compliance \(PDF\)](#)  
[Product Specification PS-35365-001 \(PDF\)](#)

**General**

Product Family	Crimp Terminals
Series	<a href="#">35407</a>
Crimp Quality Equipment	Yes
Product Name	N/A

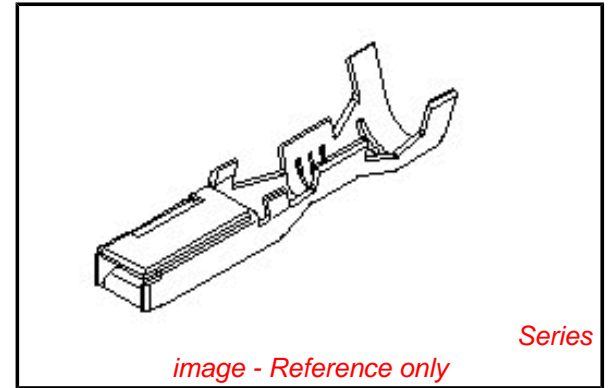
**Physical**

Gender	Female
Material - Metal	High Performance Alloy (HPA)
Material - Plating Mating	Tin
Material - Plating Termination	Tin
Packaging Type	Reel
Plating min: Mating (µin)	32.00
Plating min: Mating (µm)	0.800
Plating min: Termination (µin)	32.00
Plating min: Termination (µm)	0.80
Termination Interface: Style	Crimp or Compression
Wire Insulation Diameter	1.90mm (.075") max.
Wire Size AWG	16, 18
Wire Size mm <sup>2</sup>	N/A

**Material Info**

**Reference - Drawing Numbers**

Product Specification	PS-35365-001
Sales Drawing	SD-35407-002



**EU RoHS**

**ELV and RoHS  
Compliant**  
**REACH SVHC  
Contains SVHC: No**  
**Halogen-Free  
Status**

**China RoHS**



**Need more information on product  
environmental compliance?**

Email [productcompliance@molex.com](mailto:productcompliance@molex.com)  
 For a multiple part number RoHS Certificate of Compliance, [click here](#)

Please visit the [Contact Us](#) section for any non-product compliance questions.

**Search Parts in this Series**

[35407Series](#)

**Mates With**

[35420](#)

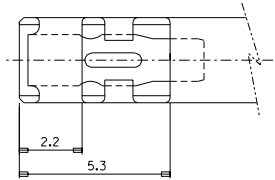
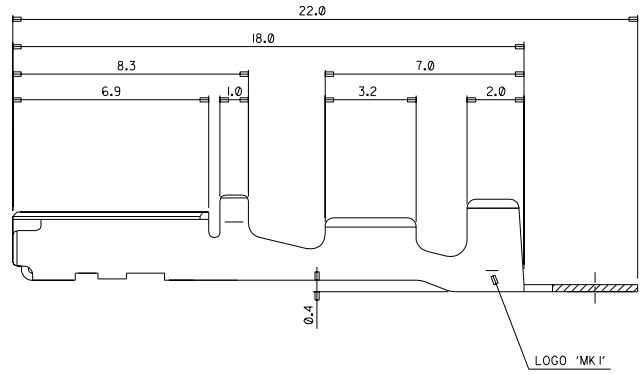
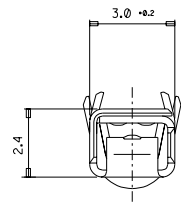
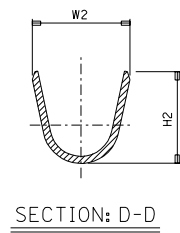
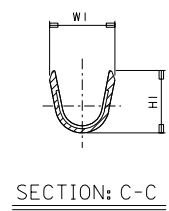
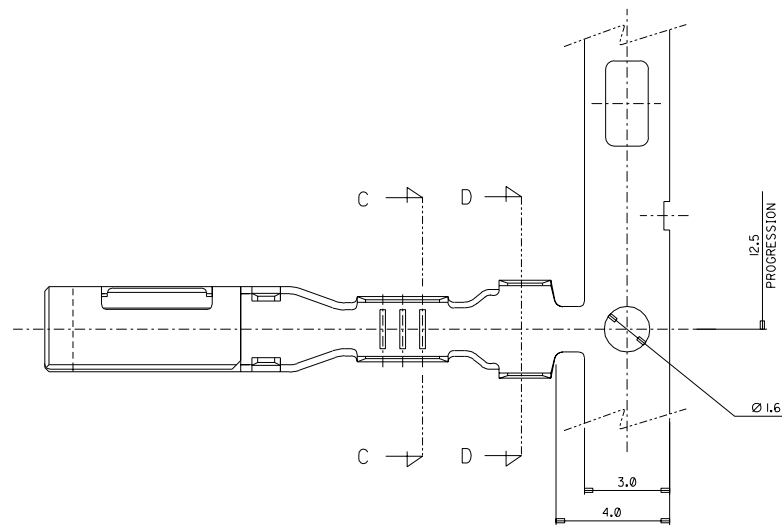
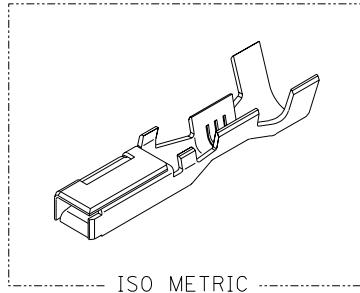
**Use With**

[35825](#)

**PLEASE CHECK WWW.MOLEX.COM FOR LATEST PART INFORMATION**

DO NOT SCALE DRAWING DIMENSION IN METRIC

PROJECT NO. SIMILAR ITEM DWG. NO. SD-35407-002



- NOTE
1. MATERIAL: COPPER ALLOY, t=0.25.
  2. FINISH: PRE-TIN PLATE.
  3. RECOMMENDED LENGTH OF WIRE STRIP: 5.0-5.6.
  4. INSERTION-EXTRACTION FORCE WITH TAB TERMINAL P/N 35420.  
INSERTION FORCE : 0.30±1.0 Kgf.  
AFTER SIX TIMES OF INSERTION & EXTRACTION FORCE : 0.15±1.0 Kgf.

NO.	ENG-NO.	TYPE	PART NAME	CABLE SIZE (mm <sup>2</sup> )	DIMENSION			
					W1	H1	W2	H2
1	35407-6102	(S)	.090 FEMALE TER'L	AVSS(AVS) 0.3 - 0.5	2.5	2.4	3.4	3.5
2	35407-6202	(L)	.090 FEMALE TER'L	AVSS(AVS) 2.0	3.6	3.5	4.0	4.0
3	35407-6502	(M)	.090 FEMALE TER'L	AVSS(AVS) 0.85 - 1.25	2.6	3.0	4.0	4.0

CHANGED TENSION SPEC.  
EC NO. KGR2002-0090  
DRAWN: SIK/KIM 02/07/08  
CHK: SIK/KIM 02/07/08  
APPR: W.LEE

MAJOR  
CRITICAL

REV C

QUALITY SYMBOLS	GENERAL TOLERANCES: (UNLESS SPECIFIED)	SCALE 8:1	DESIGN UNITS <input checked="" type="checkbox"/> mm <input type="checkbox"/> INCH	DIMENSIONS: <input type="checkbox"/> mm <input type="checkbox"/> INCH <input checked="" type="checkbox"/> mm ONLY	SHT 1	REV	
	4 PLACES ±0.1	DRAWN BY & DATE B.C.YOON '98.4.10	TITLE: .090 FEMALE TER'L (FT TYPE)	THIRD ANGLE PROJECTION	REVISION		
	3 PLACES ±0.1	CHECKED BY & DATE B.K.CHOI '98.4.10	APPROVED BY & DATE C.W.LEE '98.4.10				
	2 PLACES ±0.1						
	1 PLACE ±0.25						
	ANGULAR: ± 1°						
	DRAFT WHERE APPLICABLE MUST REMAIN WITHIN DIMENSIONS	CAD FILENAME SD35407.DGN	MATERIAL NO. 354076102	DRAWING NO. SD-35407-002	SHEET NO. 1 OF 1	SIZE C	
		THIS DRAWING CONTAINS INFORMATION THAT IS PROPRIETARY TO MOLEX INCORPORATED AND SHOULD NOT BE USED WITHOUT WRITTEN PERMISSION.					