

PLEASE CHECK WWW.MOLEX.COM FOR LATEST PART INFORMATION

Part Number: [0391000806](#)
Status: **Active**
Description: 8.00mm (.315") Pitch Beau™ Eurostyle™ Two-Screw Terminal Strips, 6 Circuits

Documents:

[3D Model](#) [RoHS Certificate of Compliance \(PDF\)](#)
[Drawing \(PDF\)](#)

Agency Certification

CSA 25562
 UL E82573

General

Product Family Terminal Blocks
 Series [39100](#)
 Application Wire-to-Wire
 Component Type One Piece
 MolexKits Yes
 Product Literature Order No USA-303
 Product Name Eurostyle™ Two Screw
 Type Euro Block

Physical

Circuits (Loaded) 6
 Entry Angle Horizontal
 Flammability 94V-2
 Lock to Mating Part None
 Number of Rows 2
 Orientation Vertical
 PCB Retention Yes
 Panel Mount Mounting Holes Between Circuit
 Pitch - Mating Interface (in) 0.315 In
 Pitch - Mating Interface (mm) 8.00 mm
 Pitch - Term. Interface (in) 0.315 In
 Pitch - Term. Interface (mm) 8.00 mm
 Polarized to Mating Part No
 Stackable No
 Temperature Range - Operating 100°C
 Wire Size AWG 12, 14, 16, 18, 20, 22

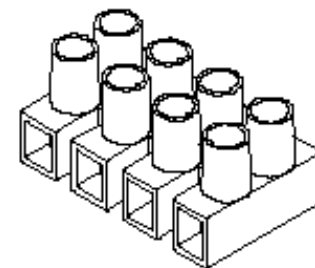
Electrical

Current - Maximum per Contact 20A
 Voltage - Maximum 600V

Material Info

Reference - Drawing Numbers

Sales Drawing SD-39100-002



Series

image - Reference only

EU RoHS

**ELV and RoHS
 Compliant**
**REACH SVHC
 Contains SVHC: No**
**Halogen-Free
 Status
 Not Reviewed**

China RoHS

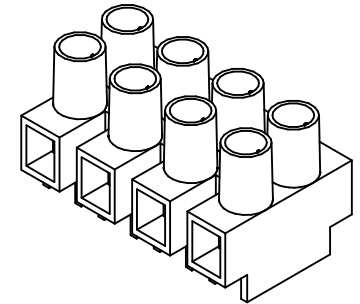
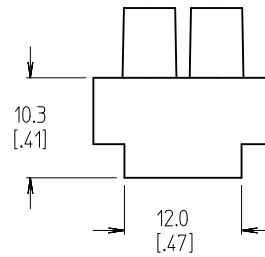
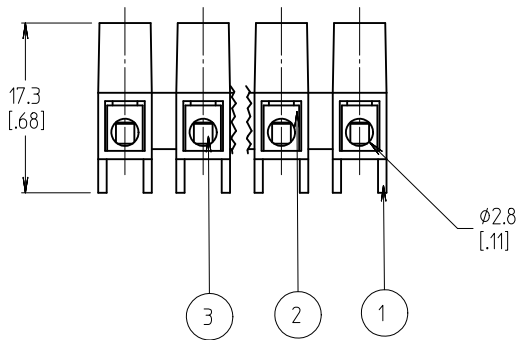
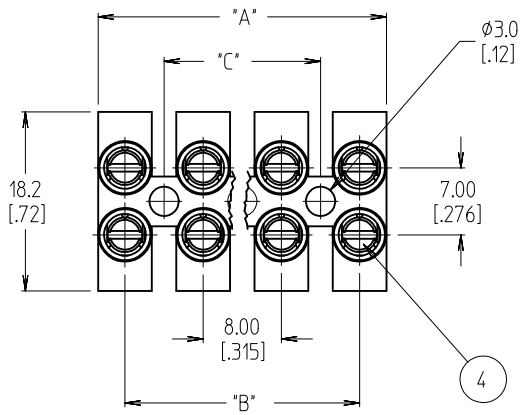


**Need more information on product
 environmental compliance?**

Email productcompliance@molex.com
 For a multiple part number RoHS Certificate of
 Compliance, [click here](#)

Please visit the [Contact Us](#) section for any
 non-product compliance questions.

Search Parts in this Series
[39100Series](#)



| NUMBER OF CIRCUITS | "A" DIM. | "B" DIM. | "C" DIM. | MATERIAL NUMBER |
|--------------------|---------------|---------------|---------------|-----------------|
| 01 | 5.46 [0.215] | N/A | N/A | 391000801 |
| 02 | 13.46 [0.530] | 8.00 [0.315] | N/A | 391000802 |
| 03 | 21.46 [0.845] | 16.00 [0.630] | 8.00 [0.315] | 391000803 |
| 04 | 29.46 [1.160] | 24.00 [0.945] | 16.00 [0.630] | 391000804 |
| 05 | 37.47 [1.475] | 32.00 [1.260] | 24.00 [0.945] | 391000805 |
| 06 | 45.47 [1.790] | 40.01 [1.575] | 32.00 [1.260] | 391000806 |
| 07 | 53.47 [2.105] | 48.01 [1.890] | 40.00 [1.575] | 391000807 |
| 08 | 61.47 [2.420] | 56.01 [2.205] | 48.00 [1.890] | 391000808 |
| 09 | 69.47 [2.735] | 64.01 [2.520] | 56.00 [2.205] | 391000809 |
| 10 | 77.47 [3.050] | 72.01 [2.835] | 64.00 [2.520] | 391000810 |
| 11 | 85.47 [3.365] | 80.01 [3.150] | 72.00 [2.835] | 391000811 |
| 12 | 93.47 [3.680] | 88.01 [3.465] | 80.00 [3.150] | 391000812 |

NOTES:

- 1. MATERIAL: SEE TABLE
- 2. FINISHES: SEE TABLE
- 3:*XX* REFERS TO THE NUMBER OF CIRCUITS
- 4. ASSEMBLY IS ROHS COMPLIANT BY EXEMPTION. COMPONENTS MARKED WITH AN ASTERISK (*) ARE ROHS COMPLIANT BY EXEMPTION, ALL OTHERS ARE ROHS COMPLIANT.

| | | | | |
|------|------|---------------------------|----------|--------|
| 4 | XX*2 | CLAMPING SCREWS, M2.6 (B) | STEEL | ZINC |
| 3 | XX | WIRE PROTECTOR | BRASS | NICKEL |
| 2 | XX | TERMINAL (*) | BRASS | NICKEL |
| 1 | 1 | INSULATOR | NYLON 6 | CLEAR |
| ITEM | QTY. | DESCRIPTION | MATERIAL | FINISH |

| | | | | | | | |
|--|------------------|--|--|--|-------|--------------|------------------------|
| REVISED & REDRAWN EC NO: WNA2010-0649 DRAWN: CLYORK 2010/04/26 CHKD: DTITUS 2010/04/26 APPR: DTITUS 2010/04/27 | DESCRIPTION B | QUALITY SYMBOLS | GENERAL TOLERANCES (UNLESS SPECIFIED) | DIMENSION STYLE | SCALE | DESIGN UNITS | THIRD ANGLE PROJECTION |
| | | ▼=0 ▽=0 | mm INCH 4 PLACES ± --- ± --- 3 PLACES ± --- ± .005 2 PLACES ± 0.13 ± .010 1 PLACE ± 0.3 ± --- ANGULAR ± 2 ° | MM/IN | 2:1 | INCH | |
| | | DRAFT WHERE APPLICABLE MUST REMAIN WITHIN DIMENSIONS | DRAWN BY DATE CLYORK 2010/04/26 CHECKED BY DATE DTITUS 2010/04/26 APPROVED BY DATE DTITUS 2010/04/27 | TITLE 8MM PITCH HIGH PROFILE WITH WIRE PROTECTORS | | | |
| | | MATERIAL NO. SEE CHART | MOLEX INCORPORATED DOCUMENT NO. SD-39100-002 | SHEET NO. 1 OF 1 | | | |