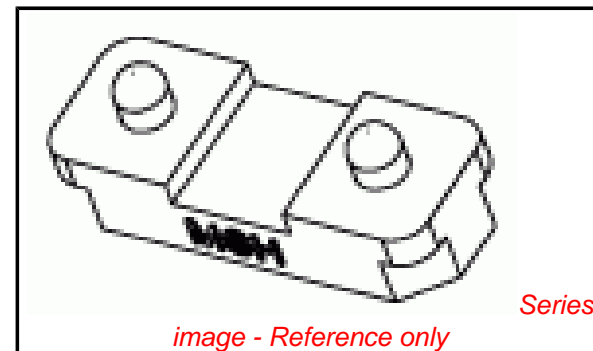


**PLEASE CHECK WWW.MOLEX.COM FOR LATEST PART INFORMATION**

**Part Number:** [0470380001](#)  
**Status:** **Active**  
**Overview:** [pogo\\_pins](#)  
**Description:** 4.00mm (.157") Pitch Pogo Speaker Connector, Height: 2.20mm (.087"), Overall 0.10µm (4µ") Gold over 1.27µm Nickel Plating, 2 Circuits

**Documents:**

[3D Model](#) [Product Specification PS-47038-001 \(PDF\)](#)  
[Drawing \(PDF\)](#) [RoHS Certificate of Compliance \(PDF\)](#)



**General**

Product Family	PCB Headers
Series	47038
Application	Board-to-Board
Comments	Action Height: 1.65mm (.065")
Overview	<a href="#">pogo_pins</a>
Product Name	PoGo Pin

**Physical**

Breakaway	No
Circuits (Loaded)	2
Circuits (maximum)	2
Durability (mating cycles max)	2,000
First Mate / Last Break	No
Glow-Wire Compliant	No
Guide to Mating Part	Yes
Keying to Mating Part	None
Lock to Mating Part	None
Mated Height (in)	0.079 In
Mated Height (mm)	2.00 mm
Material - Plating Mating	Gold
Material - Plating Termination	Gold
Number of Rows	1
Orientation	Vertical
PCB Locator	No
PCB Retention	Yes
Packaging Type	Embossed Tape on Reel
Pitch - Mating Interface (in)	0.157 In
Pitch - Mating Interface (mm)	4.00 mm
Plating min: Mating (µin)	4
Plating min: Mating (µm)	0.10
Plating min: Termination (µin)	4
Plating min: Termination (µm)	0.10
Polarized to Mating Part	No
Polarized to PCB	No
Shrouded	No
Stackable	No
Temperature Range - Operating	-40°C to +85°C
Termination Interface: Style	Surface Mount

**Electrical**

Current - Maximum per Contact	0.5A
Voltage - Maximum	12V

**Material Info**

**Reference - Drawing Numbers**

**EU RoHS**

**RoHS Compliant by Exemption**

**REACH SVHC**

Not Reviewed

**Halogen-Free**

**Status**

**Not Reviewed**

**Need more information on product environmental compliance?**

Email [productcompliance@molex.com](mailto:productcompliance@molex.com)  
 For a multiple part number RoHS Certificate of Compliance, [click here](#)

Please visit the [Contact Us](#) section for any non-product compliance questions.

**China RoHS**



**Search Parts in this Series**

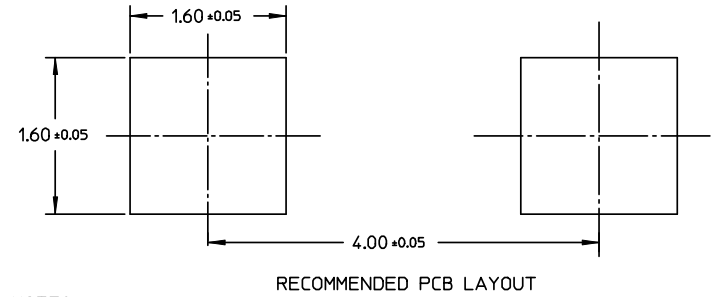
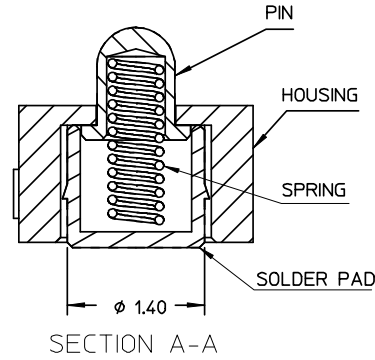
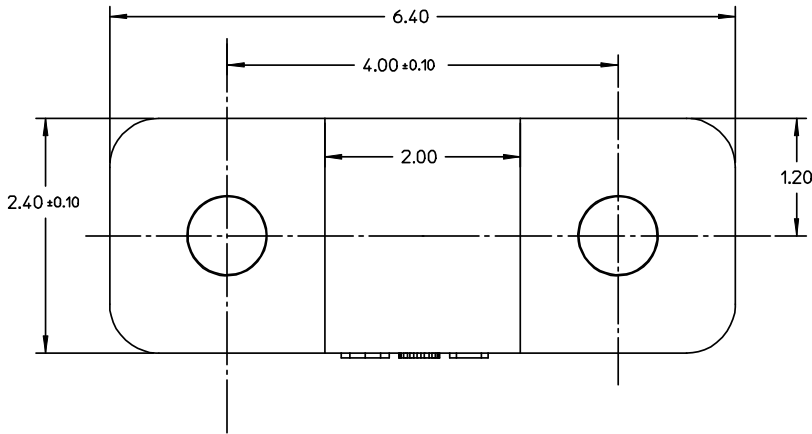
47038Series

Packaging Specification  
Product Specification  
Sales Drawing

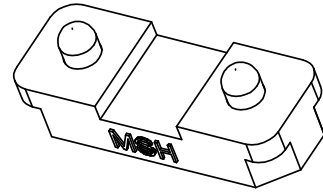
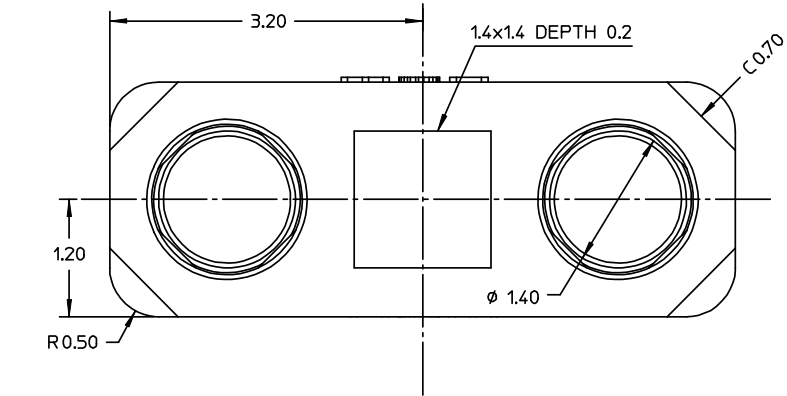
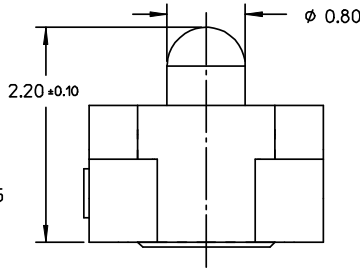
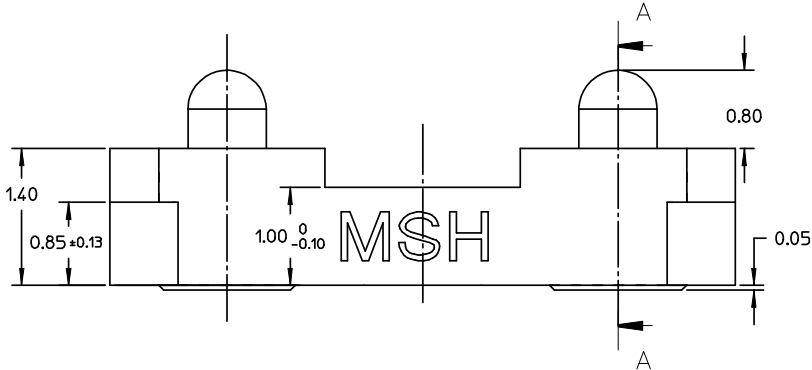
PK-47038-001  
PS-47038-001  
SD-47038-001

This document was generated on 05/26/2010

**PLEASE CHECK [WWW.MOLEX.COM](http://WWW.MOLEX.COM) FOR LATEST PART INFORMATION**



- NOTES:
- MATERIAL:
    - 1-1 PIN & SOLDER PAD : COPPER ALLOY
    - 1-2 SPRING : SWP-B,PIANO WIRE OR EQUIVALENT
    - 1-3 HOUSING :
      - 470380001 : NYLON 46 UL 94-V0, BLACK
      - 470380041 : NYLON 9T, UL 94-V0, MEDIUM GRAY
  - FINISH:
    - SOLDER PAD & SPRING : OVERALL 0.1 Micron MIN. GOLD OVER 1.27 Micron NICKEL
  - MECHANICAL SPECIFICATION:
    - 3-1 SPRING FORCE : 1.0N±0.15N @ 0.55mm DEFLECTION/PIN
    - 3-2 PRELOAD : 0.48N/PIN MIN.
    - 3-2 DURABILITY : 2,000 cycles
  - ELECTRICAL SPECIFICATION :
    - 4-1 RATING VOLTAGE : 12V RMS
    - 4-2 RATING CURRENT : 0.5A MAX.
    - 4-3 CONTACT RESISTANCE : 200 mOhms MAX @ 0.55mm DEFLECTION
  - PRODUCT SPECIFICATION : PS-47038-001
  - PRODUCT COMPLIANT TO RoHS DIRECTIVE 2002/95/EC AND ELV 2000/53/EC.



470380041	CONTACT PIN : OVERALL 1 Micron MIN. GOLD OVER 3-5 Micron NICKEL
470380001	CONTACT PIN : OVERALL 0.1 Micron MIN. GOLD OVER 1.27 Micron NICKEL

CHANGE RAW MATERIAL OF HSG EC NO: SH2008-0278 DRAWN: JYANG13 2008/01/16 CHKD: YLZHU02 2008/01/21 APPR: HWANG 2008/02/04	QUALITY SYMBOLS	GENERAL TOLERANCES (UNLESS SPECIFIED)	SCALE 20:1	DESIGN UNITS METRIC	THIRD ANGLE PROJECTION	REVISE ON CAD ONLY
	DESCRIPTION - 0 3 ANGULAR ±1/2°	mm	INCH	DIMENSION STYLE MM ONLY		TITLE
		4 PLACES ± --- ± ---	3 PLACES ± --- ± ---	DRAWN BY XU XIANG DATE 2004-02-25		SALES DRAWING 2 PIN POGO SPEAKER CONN.
		2 PLACES ± 0.15 ± ---	1 PLACE ± 0.2 ± ---	CHECKED BY JLU DATE 2004-02-25		
DRAFT WHERE APPLICABLE MUST REMAIN WITHIN DIMENSIONS	APPROVED BY SHUANG DATE 2004-02-25	MATERIAL NO. SEE TABLE		DOCUMENT NO. SD-47038-001	SHEET NO. 1 OF 1	