

**PLEASE CHECK WWW.MOLEX.COM FOR LATEST PART INFORMATION**

**Part Number:** **0532900380**  
**Status:** **Active**  
**Description:** 2.00mm (.079") Pitch Board-to-Board Header, Vertical, Single Row, 0.50mm (.020") Square Pin, with Friction Lock, Lead-free, 3 Circuits, with Kinked PC Tails

**Documents:**

[3D Model](#) [Product Specification PS-52418-003 \(PDF\)](#)  
[Drawing \(PDF\)](#) [RoHS Certificate of Compliance \(PDF\)](#)

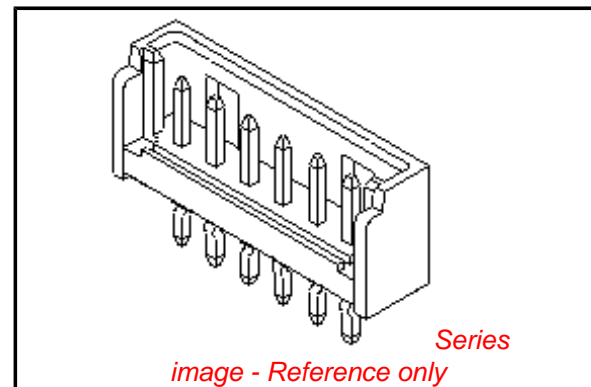
**General**

Product Family PCB Headers  
 Series [53290](#)  
 Application Board-to-Board  
 Product Name N/A

**Physical**

Breakaway No  
 Circuits (Loaded) 3  
 Circuits (maximum) 3  
 Color - Resin Natural  
 Durability (mating cycles max) 30  
 First Mate / Last Break No  
 Glow-Wire Compliant No  
 Guide to Mating Part No  
 Keying to Mating Part None  
 Lock to Mating Part Yes  
 Mated Height (in) 0.236 In  
 Mated Height (mm) 6.00 mm  
 Material - Metal Brass  
 Material - Plating Mating Tin  
 Material - Plating Termination Tin  
 Material - Resin Polyester  
 Number of Rows 1  
 Orientation Vertical  
 PC Tail Length (in) 0.126 In  
 PC Tail Length (mm) 3.20 mm  
 PCB Locator No  
 PCB Retention Yes  
 PCB Thickness Recommended (in) 0.062 In  
 PCB Thickness Recommended (mm) 1.60 mm  
 Packaging Type Tray  
 Pitch - Mating Interface (in) 0.079 In  
 Pitch - Mating Interface (mm) 2.00 mm  
 Plating min: Mating (µin) 40  
 Plating min: Mating (µm) 1.00  
 Plating min: Termination (µin) 40  
 Plating min: Termination (µm) 1.00  
 Polarized to Mating Part Yes  
 Polarized to PCB No  
 Shrouded Partial  
 Stackable No  
 Surface Mount Compatible (SMC) No  
 Temperature Range - Operating -40°C to +105°C  
 Termination Interface: Style Through Hole

**Electrical**



**EU RoHS**

**ELV and RoHS Compliant**  
**REACH SVHC Contains SVHC: No**  
**Halogen-Free Status**

**China RoHS**



**Need more information on product environmental compliance?**

Email [productcompliance@molex.com](mailto:productcompliance@molex.com)  
 For a multiple part number RoHS Certificate of Compliance, [click here](#)

Please visit the [Contact Us](#) section for any non-product compliance questions.

**Search Parts in this Series**

[53290Series](#)

**Mates With**

[52418 PCB Receptacle](#)

|                               |      |
|-------------------------------|------|
| Current - Maximum per Contact | 1.5A |
| Voltage - Maximum             | 125V |

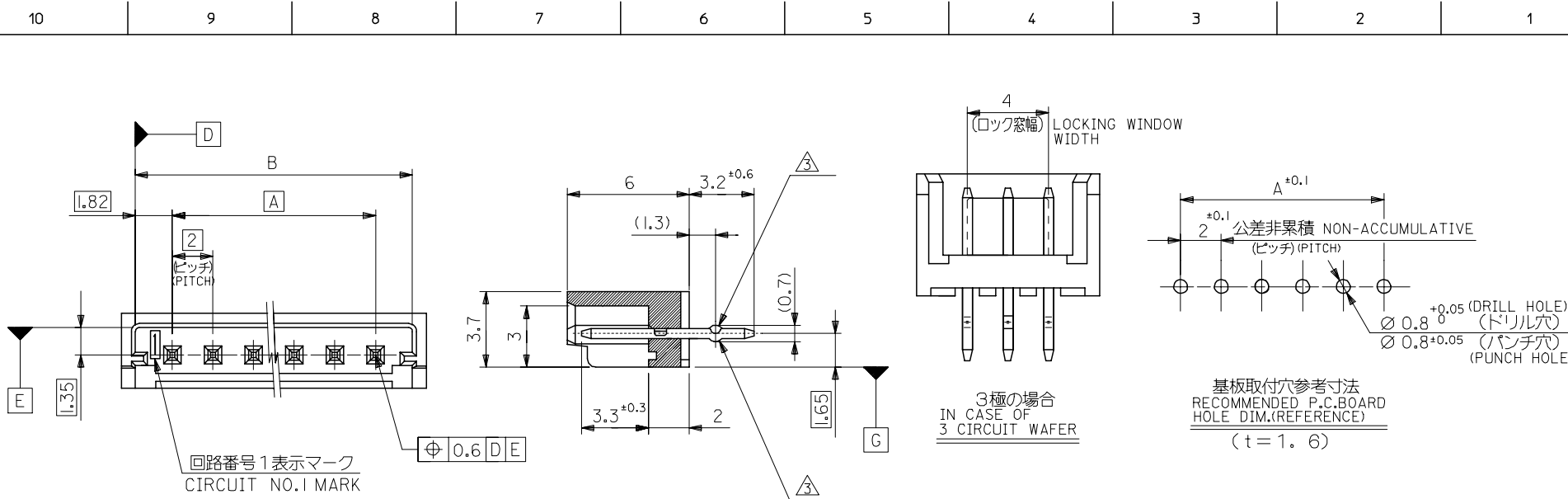
**Material Info**

**Reference - Drawing Numbers**

|                       |                             |
|-----------------------|-----------------------------|
| Product Specification | PS-52418-003, RPS-52418-004 |
| Sales Drawing         | SD-53290-004                |

This document was generated on 04/16/2010

**PLEASE CHECK [WWW.MOLEX.COM](http://WWW.MOLEX.COM) FOR LATEST PART INFORMATION**



3極の場合  
IN CASE OF  
3 CIRCUIT WAFER

基板取付穴参考寸法  
RECOMMENDED P.C.BOARD  
HOLE DIM.(REFERENCE)  
(t = 1.6)

注記 NOTES

1. 材料 MATERIAL  
ウエハー: PBT (ガラス 15% 入り)  
WAFER G.F. 15%  
UL94V-0  
ピン : 黄銅, 錫メッキ  
PIN : BRASS, TIN
2. 嵌合相手 : 52418 シリーズ  
MATE WITH : 52418 SERIES
- △ キンクは全ピンに交互に付加.  
SET KINK ALTERNATELY TO ALL PIN.
4. 各部のソリは 0.2MAX.  
CAMBER : 0.2MAX.
5. 本製品は、53290-\*\*10 の鉛フリー品である。  
THIS PRODUCT IS LEAD FREE OF 53290-\*\*10.
6. 梱包仕様 PACKAGING  
53290-\*\*8\* トレー TRAY  
53290-\*\*4\* ポリ袋 POLYBAG

|   |   |  |       |                            |                   |   |                        |                           |  |
|---|---|--|-------|----------------------------|-------------------|---|------------------------|---------------------------|--|
| REVISED<br>EC No: J2005-2460<br>DRAWN: NAIDA<br>CHKD: KTOJO<br>APPR: NUKITA | DESCRIPTION<br>2005/02/28<br>2005/02/28<br>2005/03/07 | GENERAL TOLERANCES<br>(UNLESS SPECIFIED)   |       | DIMENSION STYLE<br>MM ONLY |                   | SCALE<br>---  | DESIGN UNITS<br>METRIC | THIRD ANGLE<br>PROJECTION |  |
|   |   | 10 UNDER   | ±0.2  | DRAWN BY<br>J. SASAMO      | DATE<br>2004/8/20 | TITLE<br>2.0 BOARD TO BOARD CONN.<br>WAFER ASS'Y<br>-LEAD FREE- |                        |                           |  |
|   |   | 10 OVER 30 UNDER   | ±0.25 | CHECKED BY<br>K. TOJO      | DATE<br>2004/8/20 | MOLEX INCORPORATED  |                        |                           |  |
|   |   | 30 OVER  | ±0.3  | APPROVED BY<br>N. UKITA    | DATE<br>2004/8/20 | DOCUMENT NO.<br>SD-53290-004                                    |                        |                           |  |
| DRAFT WHERE APPLICABLE<br>MUST REMAIN<br>WITHIN DIMENSIONS                  |   | SEE CHART  |       | MATERIAL NO.               |                   | SHEET NO.<br>1 OF 2   |                        |                           |  |
| SIZE<br>A3  |   | THIS DRAWING CONTAINS INFORMATION THAT IS PROPRIETARY TO MOLEX<br>INCORPORATED AND SHOULD NOT BE USED WITHOUT WRITTEN PERMISSION |       |                            |                   |   |                        |                           |  |

10 9 8 7 6 5 4 3 2 1

F

F

E

E

D

D

C

C

B

B

A

A

|    |       |    |  |            |   |            |            |
|----|-------|----|--|------------|---|------------|------------|
| 43 | 41.64 | 38 | 53290-2041                             | 53290-2081 | 53290-2040  | 53290-2080 | 20         |
| 41 | 39.64 | 36 | -1941                                  | -1981      | -1940   | -1980      | 19         |
| 39 | 37.64 | 34 | -1841                                  | -1881      | -1840   | -1880      | 18         |
| 37 | 35.64 | 32 | -1741                                  | -1781      | -1740   | -1780      | 17         |
| 35 | 33.64 | 30 | -1641                                  | -1681      | -1640   | -1680      | 16         |
| 33 | 31.64 | 28 | -1541                                  | -1581      | -1540   | -1580      | 15         |
| 31 | 29.64 | 26 | -1441                                  | -1481      | -1440   | -1480      | 14         |
| 29 | 27.64 | 24 | -1341                                  | -1381      | -1340   | -1380      | 13         |
| 27 | 25.64 | 22 | -1241                                  | -1281      | -1240   | -1280      | 12         |
| 25 | 23.64 | 20 | -1141                                  | -1181      | -1140   | -1180      | 11         |
| 23 | 21.64 | 18 | -1041                                  | -1081      | -1040   | -1080      | 10         |
| 21 | 19.64 | 16 | -0941                                  | -0981      | -0940   | -0980      | 9          |
| 19 | 17.64 | 14 | -0841                                  | -0881      | -0840   | -0880      | 8          |
| 17 | 15.64 | 12 | -0741                                  | -0781      | -0740   | -0780      | 7          |
| 15 | 13.64 | 10 | -0641                                  | -0681      | -0640   | -0680      | 6          |
| 13 | 11.64 | 8  | -0541                                  | -0581      | -0540   | -0580      | 5          |
| 11 | 9.64  | 6  | -0441                                  | -0481      | -0440   | -0480      | 4          |
| 9  | 7.64  | 4  | 53290-0341                             | 53290-0381 | 53290-0340  | 53290-0380 | 3          |
| C  | B     | A  | MATERIAL NO.<br>COLOR : BLACK<br>色 : 黒 |            | MATERIAL NO.<br>COLOR : NATURAL (WHITE)<br>色 : ナチュラル(白) |            | 極数<br>CKT. |

|  |                                       |            |   |                   |   |                        |  |
|--|---------------------------------------|------------|---|-------------------|---|------------------------|--|
| REVISED<br>EC NO: J2005-2460<br>DRAWN: NAIDA 2005/02/25<br>CHKD: KTOJO 2005/02/28<br>APPR: NUKITA 2005/03/07 | GENERAL TOLERANCES (UNLESS SPECIFIED) |            | DIMENSION STYLE<br>MM ONLY  | SCALE<br>---      | DESIGN UNITS<br>METRIC  | THIRD ANGLE PROJECTION |  |
|  | 10 UNDER                              | ±0.2       | DRAWN BY<br>J. SASAMO   | DATE<br>2004/8/20 | TITLE<br>2.0 BOARD TO BOARD CONN.<br>WAFER ASS'Y<br>-LEAD FREE-           |                        |  |
|  | 10 OVER 30 UNDER                      | ±0.25      | CHECKED BY<br>K. TOJO   | DATE<br>2004/8/20 |   |                        |  |
|  | 30 OVER                               | ±0.3       | APPROVED BY<br>N. UKITA   | DATE<br>2004/8/20 | MOLEX INCORPORATED<br>DOCUMENT NO.<br>SD-53290-004<br>SHEET NO.<br>2 OF 2 |                        |  |
|  | ANGULAR                               | ±3 °       | MATERIAL NO.<br>SEE CHART   |                   |   |                        |  |
| DRAFT WHERE APPLICABLE MUST REMAIN WITHIN DIMENSIONS   |                                       | SIZE<br>A3 | THIS DRAWING CONTAINS INFORMATION THAT IS PROPRIETARY TO MOLEX INCORPORATED AND SHOULD NOT BE USED WITHOUT WRITTEN PERMISSION |                   |   |                        |  |