

PLEASE CHECK WWW.MOLEX.COM FOR LATEST PART INFORMATION

Part Number: [0740572504](#)
Status: **Active**
Overview: vhdm
Description: 2.00mm (.079") Pitch VHDM® Board-to-Board Backplane Header, Vertical, 6-Row, Open Signal Module, 150 Circuits, 25 Columns, Pin Length 5.15mm (.203"), 0.76µm (30µ") Gold (Au) Plating

Documents:

[3D Model](#) [RoHS Certificate of Compliance \(PDF\)](#)
[Drawing \(PDF\)](#)

Agency Certification

UL E29179

General

Product Family Backplane Connectors
 Series [74057](#)
 Application Backplane
 Application Tooling Documents http://www.molex.com/pdm_docs/ats/TM-622010999.pdf>Tooling Manual
 Comments Open Header
 Component Type PCB Header
 Overview [vhdm](#)
 Product Name VHDM®
 Style N/A

Physical

Circuits (Loaded) 150
 Circuits (maximum) 150
 Color - Resin Black
 Durability (mating cycles max) 200
 First Mate / Last Break No
 Flammability 94V-0
 Guide to Mating Part No
 Keying to Mating Part None
 Material - Metal Beryllium Copper, High Performance Alloy (HPA)
 Material - Plating Mating Gold
 Material - Plating Termination Tin-Lead
 Material - Resin High Temperature Thermoplastic
 Number of Columns N/A
 Number of Pairs Open Pin Field
 Number of Rows 6
 Orientation Vertical
 PC Tail Length (in) 0.098 In
 PC Tail Length (mm) 2.50 mm
 PCB Locator No
 PCB Retention None
 PCB Thickness Recommended (in) 0.071 In
 PCB Thickness Recommended (mm) 1.80 mm
 Packaging Type Tube
 Pitch - Mating Interface (in) 0.079 In
 Pitch - Mating Interface (mm) 2.00 mm
 Pitch - Term. Interface (in) 0.079 In
 Pitch - Term. Interface (mm) 2.00 mm
 Plating min: Mating (µin) 30
 Plating min: Mating (µm) 0.75

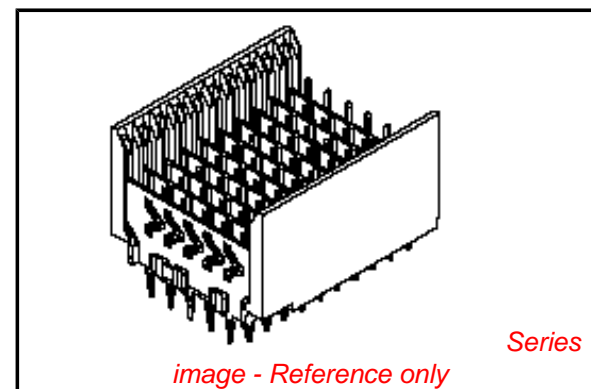


image - Reference only

EU RoHS **China RoHS**
RoHS Compliant by Exemption
REACH SVHC
Contains SVHC: No
Halogen-Free
Status **Not Reviewed**

 Pb

Need more information on product environmental compliance?

Email productcompliance@molex.com
 For a multiple part number RoHS Certificate of Compliance, [click here](#)

Please visit the [Contact Us](#) section for any non-product compliance questions.

Search Parts in this Series

[74057Series](#)

Mates With

[74030 VHDM® Board-to-Board Daughtercard Receptacle](#)

Application Tooling | FAQ

Tooling specifications and manuals are found by selecting the products below. Crimp Height Specifications are then contained in the Application Tooling Specification document.

Global

Description	Product #
Flat Rock Tooling for Pneumatic Press	0622013700
VHDM® Signal Pin Inserter Repair Tool	0622015700
VHDM® 6 Row and Shield Repair Tool	0622015800

Plating min: Termination (µin)	30
Plating min: Termination (µm)	0.75
Polarized to PCB	Yes
Stackable	Yes
Surface Mount Compatible (SMC)	Yes
Temperature Range - Operating	105°C
Termination Interface: Style	Through Hole - Compliant Pin

Electrical

Current - Maximum per Contact	1A
Data Rate	3.125 Gbps
Real Signals (per 25mm)	75
Shield Type	Ground Plane Shield
Shielded	Yes
Voltage - Maximum	120V AC (RMS)/DC

Material Info

Reference - Drawing Numbers

Packaging Specification	PK-74057-003
Sales Drawing	SD-74057-002

VHDM and Very High Density Metric are trademarks of Amphenol Corporation

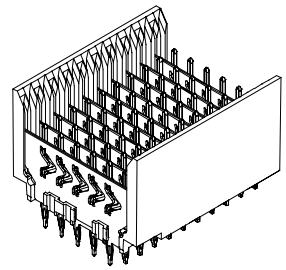
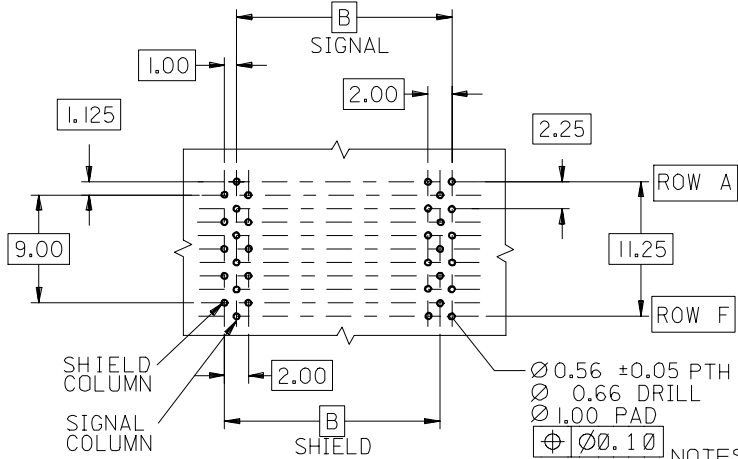
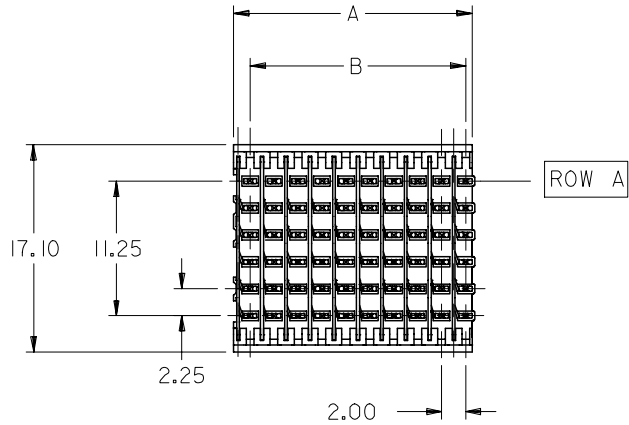
VHDM® 6 Row Shield Extraction Tool	0622016000
VHDM® Insertion Module for Advanced Mate Signal Header, 6 Row by 25 Wide, 50.00mm (1.97")	0622020204
VHDM® Insertion Module for Standard Shield Signal Header, 6 Row by 25 Wide, 50.00mm (1.97")	0622020208

This document was generated on 05/19/2010

PLEASE CHECK WWW.MOLEX.COM FOR LATEST PART INFORMATION

10 9 8 7 6 5 4 3 2 1

F
E
D
C
B
A

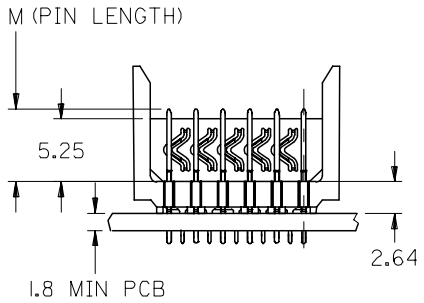
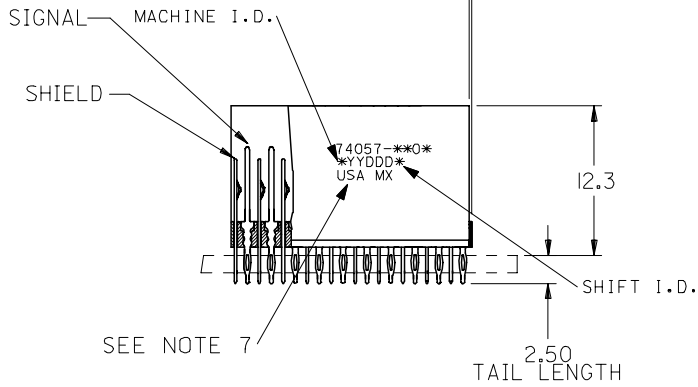


**BACKPLANE HOLE PATTERN
RECOMMENDED DIMENSIONS**

NOTES:

1. MATERIALS:
HOUSING - LIQUID CRYSTAL POLYMER (LCP),
GLASS-FILLED, UL 94V-0, COLOR: BLACK
SIGNAL PIN & SHIELD - COPPER ALLOY
2. FINISHES:
CONTACT AREA: SELECTIVE GOLD (Au)
PCB TAILS: SELECTIVE TIN/LEAD (Sn/Pb)
OR SELECTIVE MATTE TIN (Sn)
NICKEL (Ni) OVERALL.
3. THIS PART CONFORMS TO MOLEX PRODUCT
SPECIFICATION PS-74031-999
4. FOR MIXED CONTACT LENGTHS CONSULT
MOLEX FOR AVAILABILITY
5. FOR SPECIFIC MATERIAL NUMBERS & MATING
INFORMATION REFER TO SHEET 2
6. PACKAGE PER PK-74057-003
7. EITHER MARK PART WITH PART NUMBER & DATE
CODE APPROXIMATELY WHERE SHOWN OR PLACE
LABEL ON THE TUBE.

0.21 MAX OVERALL
PROTRUSION



ADDED 15 COLUMN EC NO: UCP2006-1491 DRWNE: JONIAK 2006/01/19 CHKD: JONIAK 2006/01/19 APPR: CBIXLER 2006/01/23 K	QUALITY SYMBOLS ▽=0 ▽=0	GENERAL TOLERANCES (UNLESS SPECIFIED)		DIMENSION STYLE	SCALE	DESIGN UNITS	THIRD ANGLE PROJECTION	
		mm	INCH	MM ONLY	2.5:1	METRIC		
		4 PLACES ± ---	± ---	DRAWN BY	DATE	TITLE VHDM 6 ROW OPEN END BACKPLANE SALES ASSEMBLY		
		3 PLACES ± ---	± ---	MWANG	1998/11/09			
2 PLACES ± ---	± ---	CHECKED BY	DATE	MOLEX INCORPORATED				
1 PLACE ± ---	± ---	JLAURX	1998/11/09					
ANGULAR ±1/2°		APPROVED BY	DATE	MATERIAL NO.	DOCUMENT NO.	SHEET NO.		
DRAFT WHERE APPLICABLE MUST REMAIN WITHIN DIMENSIONS		CBIXLER	1998/11/09	SEE SHEET 3	SD-74057-002	1 OF 3		
REV	DESCRIPTION	SIZE B THIS DRAWING CONTAINS INFORMATION THAT IS PROPRIETARY TO MOLEX INCORPORATED AND SHOULD NOT BE USED WITHOUT WRITTEN PERMISSION						

9 8 7 6 5 4 3 2 1

10 9 8 7 6 5 4 3 2 1

F

E

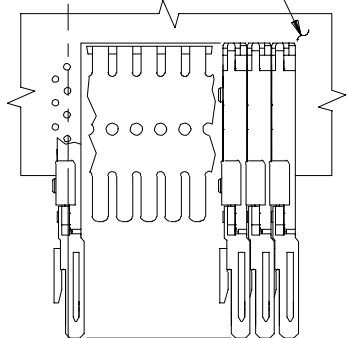
D

C

B

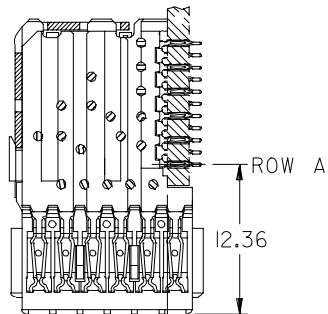
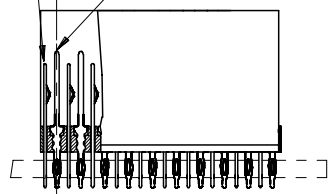
A

SIGNAL COLUMN
DAUGHTERCARD CONNECTOR SIDE



0.41 OFFSET
SIGNAL TO SIGNAL

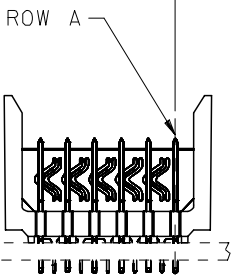
SHIELD
SIGNAL



ROW A

12.36

0.66
TOP DAUGHTERCARD
PCB TO ϕ ROW A



MATERIAL NUMBER ASSIGNMENT

74057-**-** SEE TABLES (SHEET 3)

- NUMBER OF COLUMNS/PLATING
- 10 = 10 COLUMN TIN/LEAD
- 15 = 15 COLUMN TIN/LEAD
- 25 = 25 COLUMN TIN/LEAD
- 90 = 10 COLUMN MATTE TIN
- 95 = 15 COLUMN MATTE TIN
- 85 = 25 COLUMN MATTE TIN

ADDED 15 COLUMN EC NO: UCP2006-1491 DRWN: JONIAK 2006/01/19 CHKD: JONIAK 2006/01/19 APPR: CBIXLER 2006/01/23	QUALITY SYMBOLS ▽=0 ▽=0	GENERAL TOLERANCES (UNLESS SPECIFIED)		DIMENSION STYLE MM ONLY	SCALE ---	DESIGN UNITS METRIC	THIRD ANGLE PROJECTION	
				DRAWN BY MWANG	DATE 1998/11/09	TITLE VHDM 6 ROW OPEN END BACKPLANE SALES ASSEMBLY		
				CHECKED BY JLAURX	DATE 1998/11/09	APPROVED BY CBIXLER		
				APPROVED BY DATE 1998/11/09		MATERIAL NO. SEE SHEET 3		DOCUMENT NO. SD-74057-002
		DRAFT WHERE APPLICABLE MUST REMAIN WITHIN DIMENSIONS		THIS DRAWING CONTAINS INFORMATION THAT IS PROPRIETARY TO MOLEX INCORPORATED AND SHOULD NOT BE USED WITHOUT WRITTEN PERMISSION				

9

8

7

6

5

4

3

2

1

PART NUMBER	COLUMN	NUMBER OF SIGNAL PIN	NUMBER OF SHIELD	A	B	M	Au (um) THICKNESS
74057-1001	10	60	10	20.00	18.00	4.75	0.76
74057-1006							1.27
74057-1501	15	90	15	30.00	28.00		0.76
74057-1506							1.27
74057-2501	25	150	25	50.00	48.00		0.76
74057-2501							1.27
74057-1002	10	60	10	20.00	18.00	0.76	
74057-1007						1.27	
74057-1502	15	90	15	30.00	28.00	0.76	
74057-1507						1.27	
74057-2502	25	150	25	50.00	48.00	0.76	
74057-2507						1.27	
74057-1003	10	60	10	20.00	18.00	0.76	
74057-1008						1.27	
74057-1503	15	90	15	30.00	28.00	0.76	
74057-1508						1.27	
74057-2503	25	150	25	50.00	48.00	0.76	
74057-2508						1.27	
74057-1004	10	60	10	20.00	18.00	0.76	
74057-1009						1.27	
74057-1504	15	90	15	30.00	28.00	0.76	
74057-1509						1.27	
74057-2504	25	150	25	50.00	48.00	0.76	
74057-2509						1.27	

TIN/LEAD CHART

PART NUMBER	COLUMN	NUMBER OF SIGNAL PIN	NUMBER OF SHIELD	A	B	M	Au (um) THICKNESS
74057-9001	10	60	10	20.00	18.00	4.75	0.76
74057-9006							1.27
74057-9501	15	90	15	30.00	28.00		0.76
74057-9506							1.27
74057-8501	25	150	25	50.00	48.00		0.76
74057-8501							1.27
74057-9002	10	60	10	20.00	18.00	0.76	
74057-9007						1.27	
74057-9502	15	90	15	30.00	28.00	0.76	
74057-9507						1.27	
74057-8502	25	150	25	50.00	48.00	0.76	
74057-8507						1.27	
74057-9003	10	60	10	20.00	18.00	0.76	
74057-9008						1.27	
74057-9503	15	90	15	30.00	28.00	0.76	
74057-9508						1.27	
74057-8503	25	150	25	50.00	48.00	0.76	
74057-8508						1.27	
74057-9004	10	60	10	20.00	18.00	0.76	
74057-9009						1.27	
74057-9504	15	90	15	30.00	28.00	0.76	
74057-9509						1.27	
74057-8504	25	150	25	50.00	48.00	0.76	
74057-8509						1.27	

LEAD FREE CHART

ADDED 15 COLUMN EC NO: UCP2006-1491 DRW: JJONIAK 2006/01/19 CHKD: JJONIAK 2006/01/19 APPR: CBIXLER 2006/01/23	QUALITY SYMBOLS ▽=0 ▽=0	GENERAL TOLERANCES (UNLESS SPECIFIED)		DIMENSION STYLE MM ONLY		SCALE ---	DESIGN UNITS METRIC	THIRD ANGLE PROJECTION	
			mm	INCH	DRAWN BY JJONIAK	DATE 2006/01/10	TITLE VHDM 6 ROW OPEN END BACKPLANE SALES ASSEMBLY MOLEX INCORPORATED		
			4 PLACES ±---	±---	CHECKED BY JJONIAK	DATE 2006/01/10			
			3 PLACES ±---	±---	APPROVED BY JJONIAK	DATE 2006/01/10			
	2 PLACES ±---	±---	ANGULAR ±1/2°						
		1 PLACE ±---	DRAFT WHERE APPLICABLE MUST REMAIN WITHIN DIMENSIONS		MATERIAL NO. SEE CHARTS	DOCUMENT NO. SD-74057-002	SHEET NO. 3 OF 3		
			THIS DRAWING CONTAINS INFORMATION THAT IS PROPRIETARY TO MOLEX INCORPORATED AND SHOULD NOT BE USED WITHOUT WRITTEN PERMISSION						