

PLEASE CHECK WWW.MOLEX.COM FOR LATEST PART INFORMATION

Part Number: **0740619001**
Status: **Active**
Overview: vhdm
Description: 2.00mm (.079") Pitch VHDM® Board-to-Board Backplane Header, Vertical, 8-Row, Guide Pin Signal Module, Pin End Version, Lead Free, 80 Circuits, Pin Length 4.75mm (.187")

Documents:

[Drawing \(PDF\)](#) [RoHS Certificate of Compliance \(PDF\)](#)

General

| | |
|-------------------------------|---|
| Product Family | Backplane Connectors |
| Series | <u>74061</u> |
| Application | Backplane |
| Application Tooling Documents | Tooling Manual |
| Comments | No Keying Position |
| Component Type | PCB Header |
| Overview | <u>vhdm</u> |
| Product Name | VHDM® |
| Style | N/A |

Physical

| | |
|--------------------------------|---|
| Circuits (Loaded) | 80 |
| Circuits (maximum) | 80 |
| Color - Resin | Black |
| Durability (mating cycles max) | 200 |
| First Mate / Last Break | No |
| Guide to Mating Part | Yes |
| Keying to Mating Part | None |
| Material - Metal | Beryllium Copper, High Performance Alloy (HPA), Stainless Steel |
| Material - Plating Mating | Gold |
| Material - Plating Termination | Tin |
| Material - Resin | High Temperature Thermoplastic |
| Number of Columns | N/A |
| Number of Pairs | Open Pin Field |
| Number of Rows | 8 |
| Orientation | Vertical |
| PC Tail Length (in) | 0.098 In |
| PC Tail Length (mm) | 2.50 mm |
| PCB Locator | No |
| PCB Retention | None |
| PCB Thickness Recommended (in) | 0.070 In |
| PCB Thickness Recommended (mm) | 1.80 mm |
| Packaging Type | Tube |
| Pitch - Mating Interface (in) | 0.079 In |
| Pitch - Mating Interface (mm) | 2.00 mm |
| Pitch - Term. Interface (in) | 0.079 In |
| Pitch - Term. Interface (mm) | 2.00 mm |
| Plating min: Mating (µin) | 30 |
| Plating min: Mating (µm) | 0.75 |
| Plating min: Termination (µin) | 30 |
| Plating min: Termination (µm) | 0.75 |
| Polarized to PCB | Yes |
| Stackable | No |

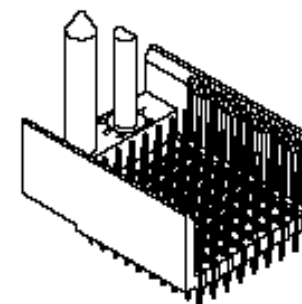


image - Reference only

Series

EU RoHS

ELV and RoHS Compliant
REACH SVHC Not Reviewed
Halogen-Free Status Not Reviewed

China RoHS



Need more information on product environmental compliance?

Email productcompliance@molex.com
 For a multiple part number RoHS Certificate of Compliance, [click here](#)

Please visit the [Contact Us](#) section for any non-product compliance questions.

Search Parts in this Series

74061Series

Mates With

74040 VHDM® Board-to-Board Daughtercard Receptacle

Application Tooling | FAQ

Tooling specifications and manuals are found by selecting the products below. Crimp Height Specifications are then contained in the Application Tooling Specification document.

Global

| Description | Product # |
|---------------------------------------|-------------------|
| VHDM® Signal Pin Inserter Repair Tool | <u>0622015700</u> |
| VHDM® 8 Row and Shield Repair Tool | <u>0622015900</u> |
| VHDM® 8 Row Shield Extraction Tool | <u>0622016100</u> |

Surface Mount Compatible (SMC) Yes
Temperature Range - Operating 105°C max
Termination Interface: Style Through Hole - Compliant Pin

Electrical

Current - Maximum per Contact 1A
Data Rate 3.125 Gbps
Real Signals (per 25mm) 100
Shield Type Ground Plane Shield
Shielded Yes
Voltage - Maximum 120V AC (RMS)/DC

Material Info

Reference - Drawing Numbers

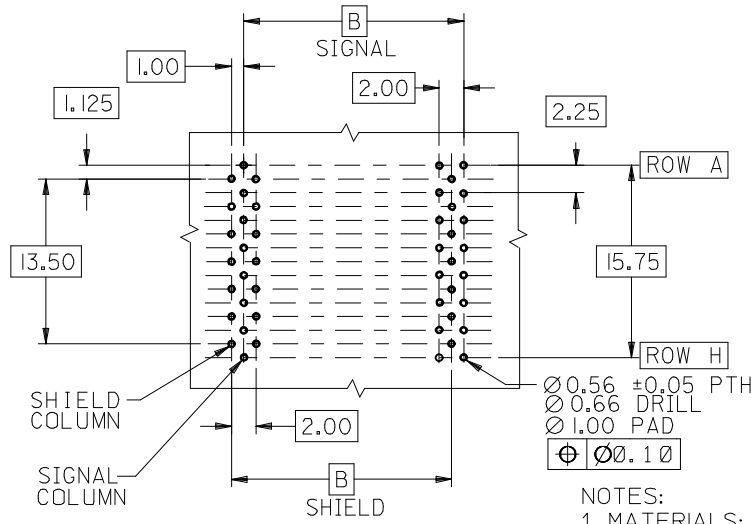
Sales Drawing SD-74061-002

VHDM and Very High Density Metric are trademarks of Amphenol Corporation

VHDM® Insertion [0622020205](#)
Module for Advanced
Mate Signal Header,
8 Row by 10 Wide,
20.00mm (.787")
VHDM® Insertion [0622020209](#)
Module for Standard
Shield Signal
Header, 8 Row by
10 Wide, 20.00mm
(.787")
Flat Rock Tooling for [0622013700](#)
Pneumatic Press

This document was generated on 06/01/2010

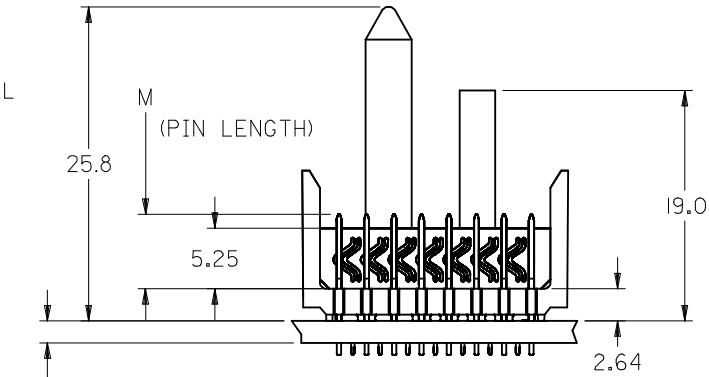
PLEASE CHECK WWW.MOLEX.COM FOR LATEST PART INFORMATION



BACKPLANE HOLE PATTERN
RECOMMENDED DIMENSION

- NOTES:
- MATERIALS:
HOUSING - LIQUID CRYSTAL POLYMER (LCP),
GLASS-FILLED, UL 94V-0, COLOR: BLACK
SIGNAL PIN & SHIELD - COPPER ALLOY
 - FINISHES:
CONTACT AREA: SELECTIVE GOLD (Au)
PCB TAILS: SELECTIVE TIN/LEAD (Sn/Pb)
OR SELECTIVE MATTE TIN (Sn)
NICKEL (Ni) OVERALL.
 - THIS PART CONFORMS TO MOLEX PRODUCT SPECIFICATION PS-74031-999
 - FOR MIXED CONTACT LENGTHS CONSULT MOLEX FOR AVAILABILITY
 - FOR SPECIFIC MATERIAL NUMBERS & MATING INFORMATION REFER TO SHEET 2
 - PACKAGE PER PK-74061-003
 - EITHER MARK PART WITH PART NUMBER & DATE CODE APPROXIMATELY WHERE SHOWN OR PLACE LABEL ON THE TUBE.

0.26 MAX OVERALL PROTRUSION



1.8 MIN PCB

| | | | | | | | |
|--|--------------------|--|---|---|--------------------|--------------|--|
| CORRECTED DIMS EC NO: UCP2008-0329 DRWN: J JONIAK 2007/08/28 CHKD: J JONIAK 2007/08/28 APPR: C BIXLER 2007/08/28 | DESCRIPTION REV | QUALITY SYMBOLS | GENERAL TOLERANCES (UNLESS SPECIFIED) | DIMENSION STYLE | SCALE | DESIGN UNITS | THIRD ANGLE PROJECTION |
| | | $\nabla=0$ $\nabla=7$ | mm INCH 4 PLACES ± --- ± --- 3 PLACES ± --- ± --- 2 PLACES ± --- ± --- 1 PLACE ± --- ± --- ANGULAR ±1/2° | MM ONLY | 2.5:1 | METRIC | DRAWN BY DATE MWANG 1998/11/09 CHECKED BY DATE JLAURX 1998/11/09 APPROVED BY DATE C BIXLER 1998/11/09 |
| | | DRAFT WHERE APPLICABLE MUST REMAIN WITHIN DIMENSIONS | MATERIAL NO. SEE SHEET 2 | TITLE VHDM 8 ROW SIGNAL END BACKPLANE SALES ASSEMBLY | MOLEX INCORPORATED | | |
| | | SIZE B | DOCUMENT NO. SD-74061-002 | SHEET NO. 1 OF 3 | | | |

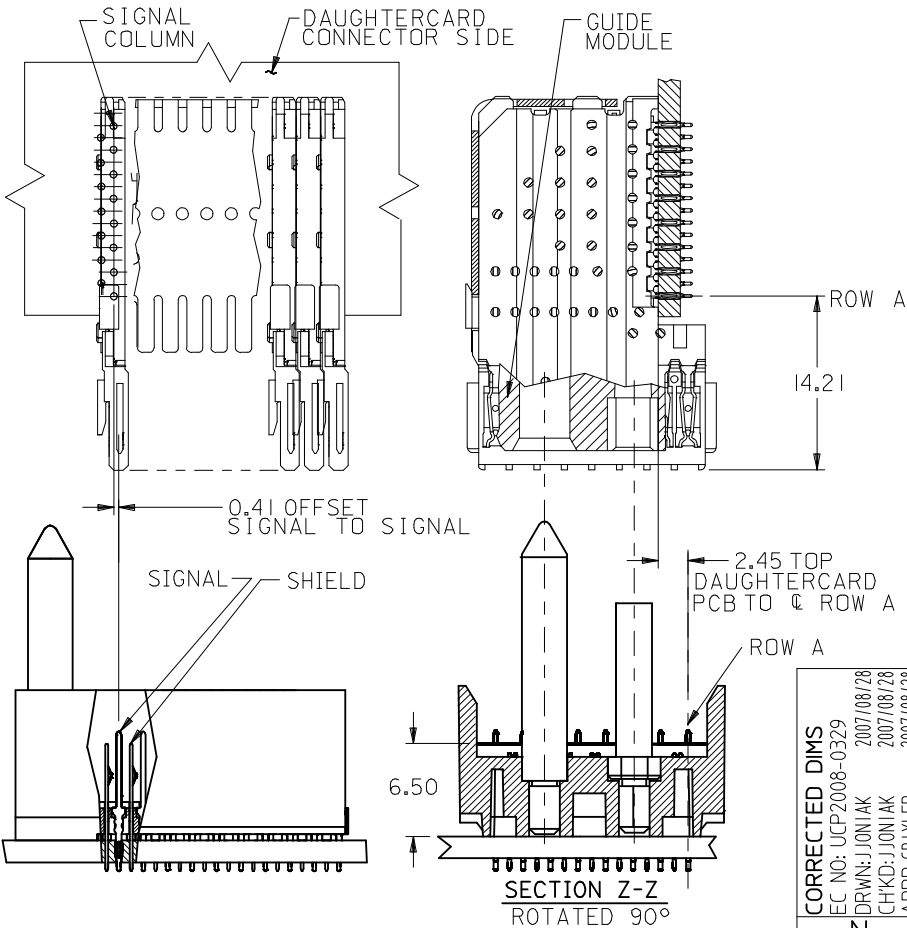
| | | | | | | | | | |
|---------------------------|-------|-------|-------|-------|-------|-------|-------|-------|-------|
| M/N 74061-() | -**0* | -**1* | -**2* | -**3* | -**4* | -**5* | -**6* | -**7* | -**8* |
| KEYING PIN ORIENTATION | O | A | B | C | D | E | F | G | H |
| | | | | | | | | | |

74061 - * * * *

NUMBER OF COLUMNS/PLATING
 10 = 10 COLUMN TIN/LEAD
 12 = 12 COLUMN TIN/LEAD*
 25 = 25 COLUMN TIN/LEAD
 90 = 10 COLUMN MATTE TIN
 92 = 12 COLUMN MATTE TIN*
 85 = 25 COLUMN MATTE TIN

CONTACT LOAD
(PIN LENGTH)
 1 & 6 = 4.75
 2 & 7 = 6.25
 3 & 8 = 4.25
 4 & 9 = 5.15

*12 COLUMN P/N'S ON SHEET 3



| PART NUMBER | COLUMN | NUMBER OF SIGNAL PIN | NUMBER OF SHIELD | A | B | M | Au (um) THICKNESS | Sn (um) THICKNESS |
|-------------|--------|----------------------|------------------|-------|-------|------|-------------------|-------------------|
| 74061-*0*1 | 10 | 80 | 10 | 27.00 | 18.00 | 4.75 | 0.76 | 0.76-1.52 |
| 74061-*0*6 | | | | | | | 1.27 | |
| 74061-*5*1 | | | | | | | 0.76 | |
| 74061-*5*6 | 25 | 200 | 25 | 57.00 | 48.00 | 6.25 | 1.27 | |
| 74061-*0*2 | | | | | | | 0.76 | |
| 74061-*0*7 | | | | | | | 1.27 | |
| 74061-*5*2 | 25 | 200 | 25 | 57.00 | 48.00 | 4.25 | 0.76 | |
| 74061-*5*7 | | | | | | | 1.27 | |
| 74061-*0*3 | | | | | | | 0.76 | |
| 74061-*0*8 | 10 | 80 | 10 | 27.00 | 18.00 | 5.15 | 1.27 | |
| 74061-*5*3 | | | | | | | 0.76 | |
| 74061-*5*8 | | | | | | | 1.27 | |
| 74061-*0*4 | 10 | 80 | 10 | 27.00 | 18.00 | 5.15 | 0.76 | |
| 74061-*0*9 | | | | | | | 1.27 | |
| 74061-*5*4 | | | | | | | 0.76 | |
| 74061-*5*9 | 25 | 200 | 25 | 57.00 | 48.00 | 5.15 | 1.27 | |
| | | | | | | | 0.76 | |
| | | | | | | | 1.27 | |

| | | | | | |
|---|---|--|---|--|------------------------------|
| CORRECTED DIMS EC NO: UCP2008-0329 DRAWN: J JONIAK 2007/08/28 CHKD: J JONIAK 2007/08/28 APPR: CBIXLER 2007/08/28 N REV | QUALITY SYMBOLS ▽=0 ▽=0 | GENERAL TOLERANCES (UNLESS SPECIFIED) mm INCH 4 PLACES ± --- ± --- 3 PLACES ± --- ± --- 2 PLACES ± --- ± --- 1 PLACE ± --- ± --- ANGULAR ±1/2° | DIMENSION STYLE MM ONLY DRAWN BY DATE MWANG 1998/11/09 CHECKED BY DATE JLAURX 1998/11/09 APPROVED BY DATE CBIXLER 1998/11/09 | SCALE 2.5:1 DESIGN UNITS METRIC | THIRD ANGLE PROJECTION |
| | VHD8 8 ROW SIGNAL END BACKPLANE SALES ASSEMBLY | | | | |
| | MOLEX INCORPORATED | | | | |
| | DRAFT WHERE APPLICABLE MUST REMAIN WITHIN DIMENSIONS SEE CHART | | | | MATERIAL NO. SD-74061-002 |