

**PLEASE CHECK WWW.MOLEX.COM FOR LATEST PART INFORMATION**

**Part Number:** [0760010110](#)  
**Status:** **Active**  
**Description:** 10.30mm (.405") EXTreme ZPower™ Connector, 10 Press-Fit Tails, Tin (Sn) Plating, for 3.18mm (.125") Thick PC Board

**Documents:**

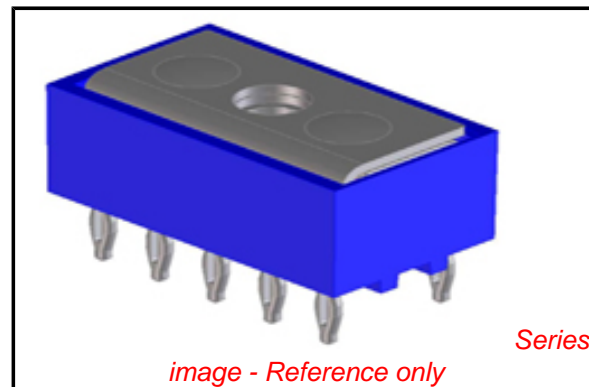
[3D Model](#) [Product Specification PS-76001-999 \(PDF\)](#)  
[Drawing \(PDF\)](#) [RoHS Certificate of Compliance \(PDF\)](#)

**General**

Product Family	PCB Headers
Series	<a href="#">76001</a>
Application	Board-to-Board, Wire-to-Board
Comments	Power Connector
MolexKits	Yes
Product Name	EXTreme ZPower™

**Physical**

Breakaway	No
Circuits (Loaded)	2
Circuits (maximum)	2
Circuits Detail	10 tails, 50A
Durability (mating cycles max)	5
First Mate / Last Break	No
Glow-Wire Compliant	No
Guide to Mating Part	No
Keying to Mating Part	N/A
Lock to Mating Part	Yes
Material - Metal	Copper-Nickel-Silicon
Material - Plating Mating	Tin
Material - Plating Termination	Tin
Number of Rows	2
Orientation	Vertical
PC Tail Length (in)	0.154 In
PC Tail Length (mm)	3.90 mm
PCB Locator	No
PCB Retention	Yes
PCB Thickness Recommended (in)	0.093 In
PCB Thickness Recommended (mm)	2.36 mm
Packaging Type	Tray
Pitch - Mating Interface (in)	0.000 In
Pitch - Mating Interface (mm)	0.00 mm
Pitch - Term. Interface (in)	0.125 In
Pitch - Term. Interface (mm)	3.18 mm
Plating min: Mating (µin)	100
Plating min: Mating (µm)	2.50
Plating min: Termination (µin)	100
Plating min: Termination (µm)	2.50
Polarized to Mating Part	Yes
Polarized to PCB	No
Shrouded	No
Stackable	No
Surface Mount Compatible (SMC)	Yes
Temperature Range - Operating	-40°C to +105°C
Termination Interface: Style	Through Hole - Compliant Pin



**EU RoHS**

**ELV and RoHS Compliant**  
**REACH SVHC**  
**Contains SVHC: No**  
**Halogen-Free Status**

**China RoHS**



**Need more information on product environmental compliance?**

Email [productcompliance@molex.com](mailto:productcompliance@molex.com)  
 For a multiple part number RoHS Certificate of Compliance, [click here](#)

Please visit the [Contact Us](#) section for any non-product compliance questions.

**Search Parts in this Series**

[76001Series](#)

**Use With**

Extraction Tool, [621005300](#)

**Electrical**

Current - Maximum per Contact	50A
Voltage - Maximum	250V

**Material Info****Reference - Drawing Numbers**

Application Specification	AS-76001-001
Packaging Specification	PK-76001-901
Product Specification	PS-76001-999
Sales Drawing	SD-76001-001

This document was generated on 06/07/2010

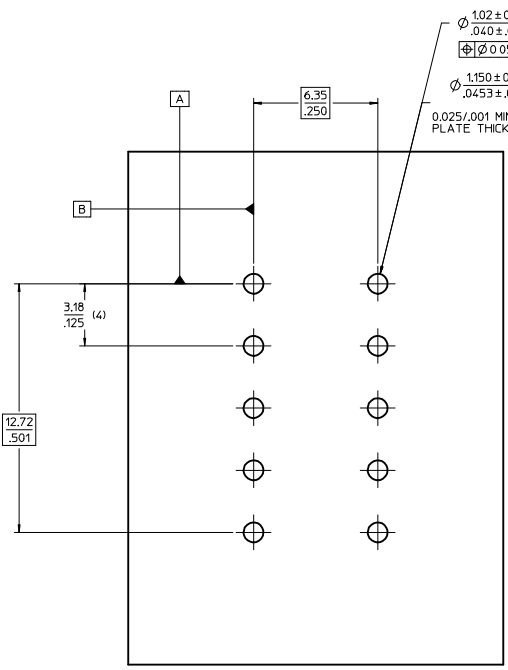
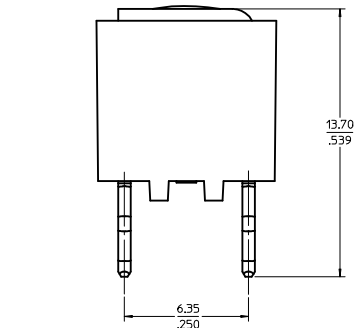
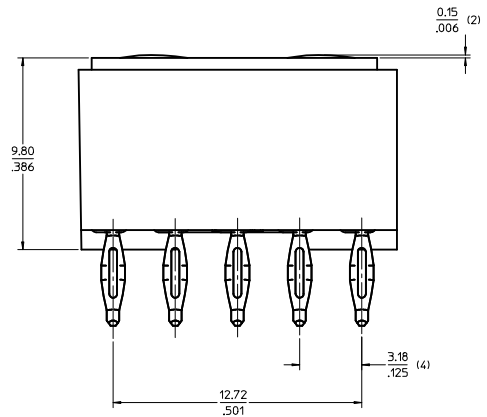
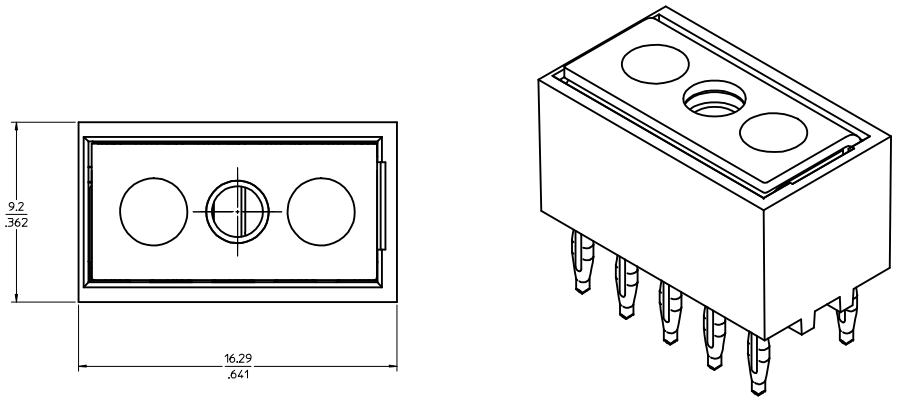
**PLEASE CHECK [WWW.MOLEX.COM](http://WWW.MOLEX.COM) FOR LATEST PART INFORMATION**

RECOMMENDED MOUNTING HARDWARE

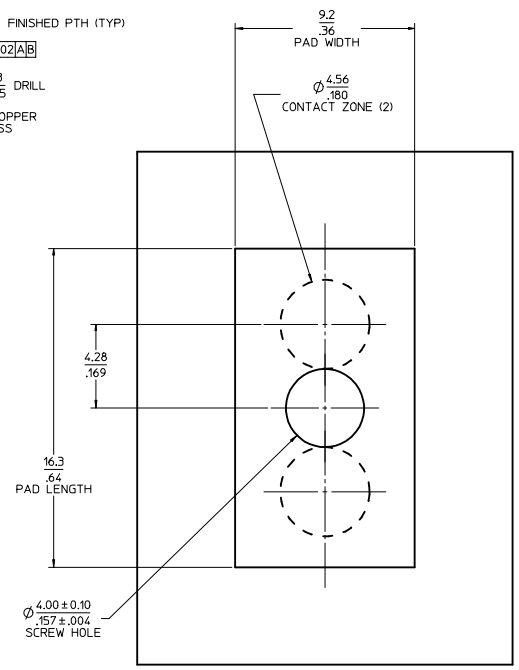
PCB THICKNESS	SCREW LENGTH	SCREW SIZE	FLAT WASHER SPEC.S (DIN 9021)	BELLEVILLE WASHER SPEC.S (DIN 6796)
0.063"	6.0mm	M3	MAT'L: STAINLESS STEEL WASHER OUTER DIA.: 9.0mm WASHER INNER DIA.: 3.2mm	MAT'L: STAINLESS STEEL WASHER OUTER DIA.: 7.0mm WASHER INNER DIA.: 3.2mm
0.093"	8.0mm	M3	WASHER THICKNESS: 0.7mm	WASHER THICKNESS: 0.6mm
0.125"	8.0mm	M3		

- NOTES:
1. MATERIAL: LCP, GLASS FILLED, BLACK, CONTACTS: COPPER ALLOY
  2. PLATING: SEE CHART
  3. PRODUCT SPECIFICATION: PS-76001-001.
  4. PACKAGING SPECIFICATION: PK-76001-901.
  5. TO REMOVE FROM PCB, SEE Z-POWER EXTRACTION TOOL INSTRUCTION SHEET ATS-621005300. USE EXTRACTION TOOL 621005300.

\* SCREW MAT'L: STAINLESS STEEL  
\* RECOMMENDED TORQUE = .75Nm/6.6In-Lbs.



RECOMMENDED PCB FOOT PRINT LAYOUT  
PCB THICKNESS 2.36/.093 MIN  
PCB COMPLIANT TAIL INSERTION FORCE  
= 20LBS PER TAIL



RECOMMENDED PCB PAD LAYOUT

PART NUMBER	DESCRIPTION	PLATING
76001-0010	GOLD PLATED	SELECT GOLD: 30µ IN MIN SELECT MATTE TIN: 100µ IN MIN BOTH OVER NICKEL: 50µ IN MIN
76001-0110	TIN PLATED	MATTE TIN OVERALL: 100µ IN MIN NICKEL UNDERPLATE: 50µ IN MIN

Ⓢ

<b>ADD CHART &amp; REV NOTE</b> EEC NO: UCP2009-0949 DRAWN BY: SCHAEFER CHKD: APPROPRIATEL DATE: 2008/10/20 DATE: 2008/10/21	<b>QUALITY SYMBOLS</b> ∇=0 ∇=0 ∇=0	<b>GENERAL TOLERANCES (UNLESS SPECIFIED)</b>		<b>DIMENSION STYLE</b> MM/IN		<b>SCALE</b> 8:1		<b>DESIGN UNITS</b> METRIC		THIRD ANGLE PROJECTION	
		4 PLACES ±.02 INCH 3 PLACES ±.05 ±.005 INCH 2 PLACES ±.13 ±.010 INCH 1 PLACE ±.25 ±.015 INCH		DRAWN BY: DMCGOWAN DATE: 2005/11/07		CHECKED BY: MSANDBERG DATE: 2006/02/04		APPROVED BY: APATEL DATE: 2006/02/04		TITLE: Z-POWER 10 TAIL ASSEMBLY	
		ANGULAR ±1/2°		MATERIAL NO. SEE CHART		DOCUMENT NO. SD-76001-001		MOLEX INCORPORATED		SHEET NO. 1 OF 1	
		DRAFT WHERE APPLICABLE MUST REMAIN WITHIN DIMENSIONS		THIS DRAWING CONTAINS INFORMATION THAT IS PROPRIETARY TO MOLEX INCORPORATED AND SHOULD NOT BE USED WITHOUT WRITTEN PERMISSION							