

PLEASE CHECK WWW.MOLEX.COM FOR LATEST PART INFORMATION

Part Number: [0900590020](#)
Status: **Active**
Overview: [cgrid_iii|cgrid_sl_products](#)
Description: 2.54mm (.100") Pitch C-Grid® Micro Shunt, Low Profile, Black Housing

Documents:

[Drawing \(PDF\)](#) [RoHS Certificate of Compliance \(PDF\)](#)
[Product Specification PS-90059 \(PDF\)](#)

Agency Certification

CSA LR19980
 UL E29179

General

Product Family Accessories
 Series [90059](#)
 Component Type Shunt
 Overview [cgrid_iii|cgrid_sl_products](#)
 Product Name C-Grid®, C-Grid III™, SL™

Physical

Circuits (Loaded) 2
 Circuits (maximum) 2
 Color - Resin Black
 Flammability 94V-0
 Gender Female
 Lock to Mating Part None
 Material - Metal Phosphor Bronze
 Material - Plating Mating Gold
 Material - Plating Termination Nickel
 Material - Resin Polyester
 Number of Rows 1
 Packaging Type Bag
 Plating min: Mating (µin) 4
 Plating min: Mating (µm) 0.1
 Plating min: Termination (µin) 40
 Plating min: Termination (µm) 1
 Polarized to Mating Part Yes
 Temperature Range - Operating -65°C to +120°C
 Termination Interface: Style Surface Mount

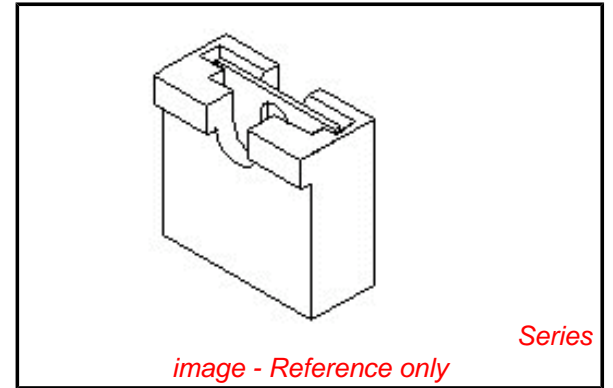
Electrical

Current - Maximum per Contact 3A

Material Info

Reference - Drawing Numbers

Product Specification PS-90059
 Sales Drawing SDA-90059



EU RoHS

**ELV and RoHS
 Compliant**
**REACH SVHC
 Contains SVHC: No**
**Halogen-Free
 Status**

China RoHS



Not Reviewed

**Need more information on product
 environmental compliance?**

Email productcompliance@molex.com
 For a multiple part number RoHS Certificate of
 Compliance, [click here](#)

Please visit the [Contact Us](#) section for any
 non-product compliance questions.

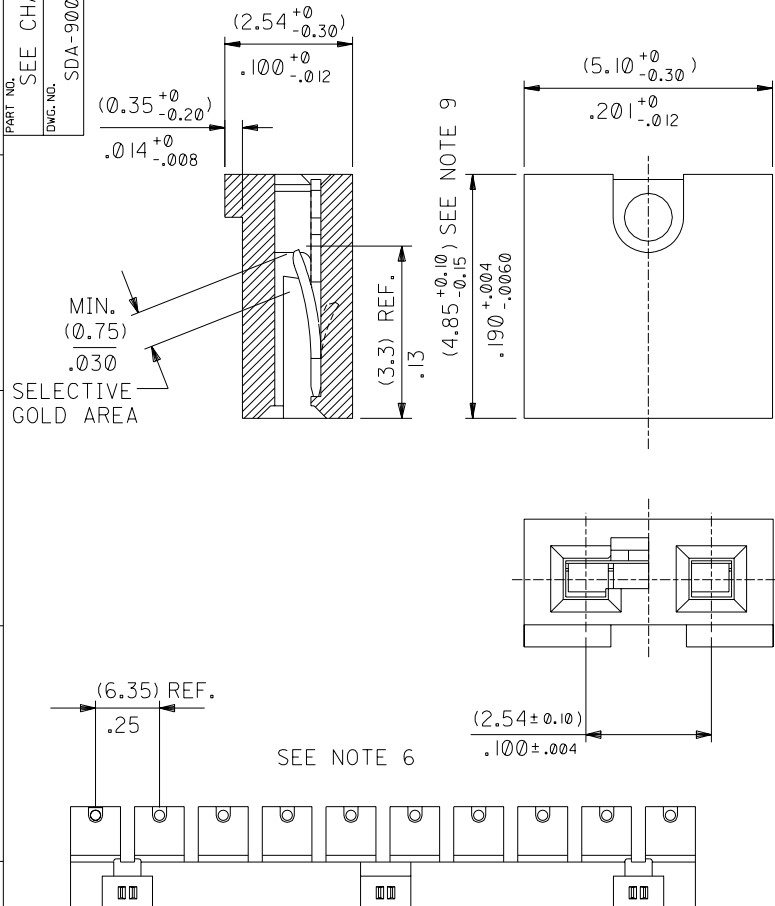
Search Parts in this Series

90059Series

Use With

(0.64)/.025 square and round pins

PART NO. SEE CHART
DWG. NO. SDA-90059



- NOTES:
- HOUSING MATERIAL: POLYESTER 30% GLASS FILLED.
 - TERMINAL MATERIAL: PHOSPHOR BRONZE.
 - THIS PART IS STACKABLE, END TO END AND SIDE BY SIDE ON (2.54)/.100 CENTRES.
 - SHUNT WILL ACCEPT (0.64)/.025 SQUARE AND ROUND PINS.
 - MAX. PROBE DIA. (0.9)/.035.
 - PARTS SUPPLIED IN STRIPS OF TEN OR AS LOOSE PIECE (SEE CHART).
 - VERSIONS 90059-0007,90059-0009 PREFERRED IN EUROPE/AMERICA.
 - VERSIONS 90059-0013,90059-0014,90059-0015 PREFERRED IN FAR EAST.
 - DIMENSION APPLIES TO MOULDED HOUSING ONLY. BREAK-OFF (5.10)/.201 MAX.

SUPPLIED AS STRIP/LOOSE	PART No	TERMINAL PLATING	HSG. COLOUR	PACKAGING INNER QTY.	PACKAGING QTY.PER BOX
⑦ STRIP	90059-0007	TIN (5u)/.0002 MIN. OVER NI (1.27u)/.00005 MIN.	BLACK	1000 pcs	20,000 pcs
LOOSE	90059-1007	TIN (5u)/.0002 MIN. OVER NI (1.27u)/.00005 MIN.	BLACK	10,000 pcs	40,000 pcs
STRIP	90059-0009	GOLD (0.38u)/.000015 MIN IN CONTACT AREA OVER NICKEL (1.27u)/.00005 IN CONTACT AREA WITH NICKEL (0.2u)/.000008 OVERALL MIN.	WHITE	1000 pcs	20,000 pcs
LOOSE	90059-1009	GOLD (0.38u)/.000015 MIN IN CONTACT AREA OVER NICKEL (1.27u)/.00005 IN CONTACT AREA WITH NICKEL (0.2u)/.000008 OVERALL MIN.	WHITE	10,000 pcs	40,000 pcs
STRIP	90059-0011	GOLD (0.38u)/.000015 MIN IN CONTACT AREA OVER NICKEL (1.27u)/.00005 IN CONTACT AREA WITH NICKEL (0.2u)/.000008 OVERALL MIN.	BLACK	1000 pcs	20,000 pcs
⑧ STRIP	90059-0012	GOLD (0.76u)/.000030 MIN IN CONTACT AREA OVER NICKEL (1.27u)/.00005 IN CONTACT AREA WITH NICKEL (0.2u)/.000008 OVERALL MIN.	WHITE	1000 pcs	20,000 pcs
⑨ STRIP	90059-0013	0.76um OF Ni UNDER 3 - 5 um OF TIN	BLACK	1000 pcs	20,000 pcs
⑧ STRIP	90059-0014	GOLD (0.1u)/.000004 MIN OVERALL OVER (1.0u)/.00004 MIN NICKEL OVERALL	WHITE	1000 pcs	20,000 pcs
STRIP	90059-0015	GOLD (1.0u)/.00004 MIN IN CONTACT AREA OVER NICKEL (0.76u)/.00003 IN CONTACT AREA WITH NICKEL (0.2u)/.000008 OVERALL MIN.	WHITE	1000 pcs	20,000 pcs
STRIP	90059-0016	GOLD (0.38u)/.000015 MIN IN CONTACT AREA OVER NICKEL (1.27u)/.00005 IN CONTACT AREA WITH NICKEL (0.2u)/.000008 OVERALL MIN.	RED	1000 pcs	20,000 pcs
LOOSE	90059-1011	GOLD (0.38u)/.000015 MIN IN CONTACT AREA OVER NICKEL (1.27u)/.00005 IN CONTACT AREA WITH NICKEL (0.2u)/.000008 OVERALL MIN.	BLACK	10,000 pcs	40,000 pcs
STRIP	90059-0017	TIN (5u)/.0002 MIN. OVER NI (1.27u)/.00005 MIN.	WHITE	1000 pcs	20,000 pcs
STRIP	90059-0018	GOLD (0.38u)/.000015 MIN IN CONTACT AREA OVER NICKEL (1.27u)/.00005 IN CONTACT AREA WITH NICKEL (0.2u)/.000008 OVERALL MIN.	BLUE	1000 pcs	20,000 pcs
STRIP	90059-0020	GOLD (0.1u)/.000004 MIN OVERALL OVER (1.0u)/.00004 MIN NICKEL OVERALL	BLACK	1000 pcs	20,000 pcs
LOOSE	90059-1020	GOLD (0.1u)/.000004 MIN OVERALL OVER (1.0u)/.00004 MIN NICKEL OVERALL	BLACK	10,000 pcs	40,000 pcs

CHANGE TIN/LEAD TO TIN. UPDATE LOOSE PKT. QTY. EC NO. E2004-0584 DRWN: M McS 04/01/05 CHK: / / / APPR: / / /	QUALITY SYMBOLS MAJOR CRITICAL	GENERAL TOLERANCES: (UNLESS SPECIFIED)		SCALE 10:1	DESIGN UNITS <input checked="" type="checkbox"/> mm <input type="checkbox"/> INCH	THIRD ANGLE PROJECTION	DIMENSIONS: <input checked="" type="checkbox"/> mm <input type="checkbox"/> INCH <input type="checkbox"/> mm ONLY	SHT 2	REV AR
		4 PLACES ±0.1	±.	DRAWN BY & DATE mcc 86/04/08		TITLE: 2.54mm C-Grid Micro Shnt			
		3 PLACES ±0.05	±.	CHECKED BY & DATE dbrennan 00/07/26					
		1 PLACE ±0.10	±.	APPROVED BY & DATE mwilite 00/07/26		MOLEX INCORPORATED			
AR	REV	ANGULAR: ± 1°		CAD FILENAME	MATERIAL NO. SEE CHART	DRAWING NO. SDA-90059	SHEET NO. 1 of 2		
DRAFT WHERE APPLICABLE MUST REMAIN WITHIN DIMENSIONS				THIS DRAWING CONTAINS INFORMATION THAT IS PROPRIETARY TO MOLEX INCORPORATED AND SHOULD NOT BE USED WITHOUT WRITTEN PERMISSION.					SIZE B