

**PLEASE CHECK WWW.MOLEX.COM FOR LATEST PART INFORMATION**

**Part Number:** [0981980002](#)  
**Status:** **Active**  
**Overview:** [mox crimp terminals](#)  
**Description:** 2.54mm (.100") Pitch, MOX Receptacle Housing, FFC, 6 (2x3) Circuits, Brown

**Documents:**

[Drawing \(PDF\)](#) [RoHS Certificate of Compliance \(PDF\)](#)

**General**

Product Family	Crimp Housings
Series	<a href="#">98198</a>
Comments	with TPA™
Overview	<a href="#">mox crimp terminals</a>
Product Name	MOX

**Physical**

Circuits (maximum)	6
Color - Resin	Natural
Gender	Female
Glow-Wire Compliant	No
Lock to Mating Part	Yes
Material - Resin	Polyester
Number of Rows	2
Packaging Type	Bag
Panel Mount	No
Pitch - Mating Interface (in)	0.100 In
Pitch - Mating Interface (mm)	2.54 mm
Polarized to Mating Part	Yes
Stackable	No
Temperature Range - Operating	-40°C to +85°C

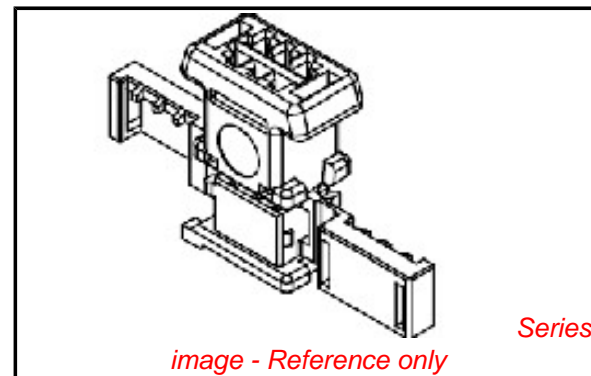
**Electrical**

Current - Maximum per Contact	6A
-------------------------------	----

**Material Info**

**Reference - Drawing Numbers**

Application Specification	AS-98198-001
Product Specification	RPS-98198-001
Sales Drawing	SD-98198-003



**EU RoHS**

**ELV and RoHS Compliant**  
**REACH SVHC**  
**Contains SVHC: No**  
**Halogen-Free**  
**Status**  
**Not Reviewed**

**China RoHS**



**Need more information on product environmental compliance?**

Email [productcompliance@molex.com](mailto:productcompliance@molex.com)  
 For a multiple part number RoHS Certificate of Compliance, [click here](#)

Please visit the [Contact Us](#) section for any non-product compliance questions.

**Search Parts in this Series**

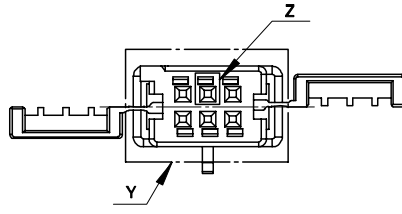
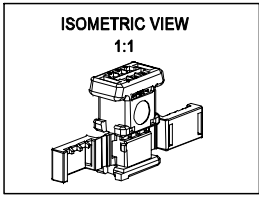
[98198Series](#)

**Mates With**

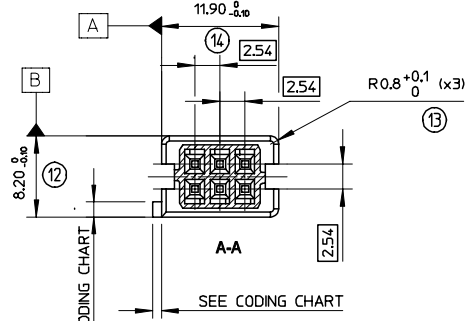
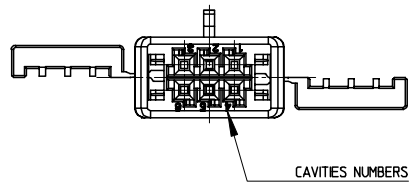
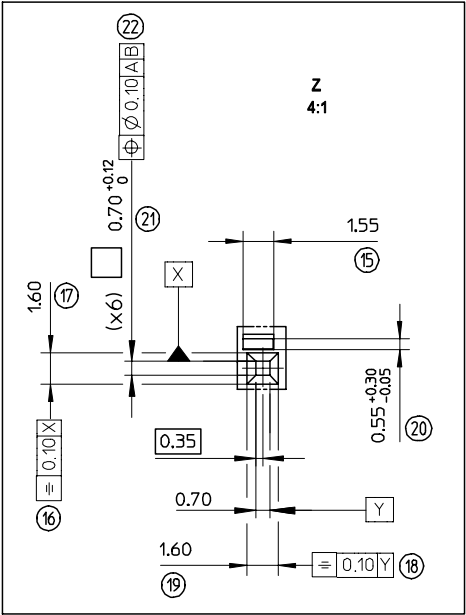
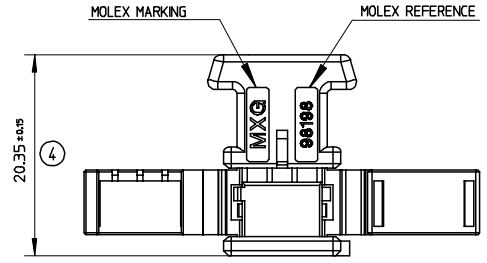
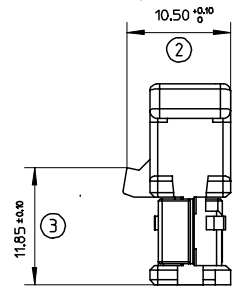
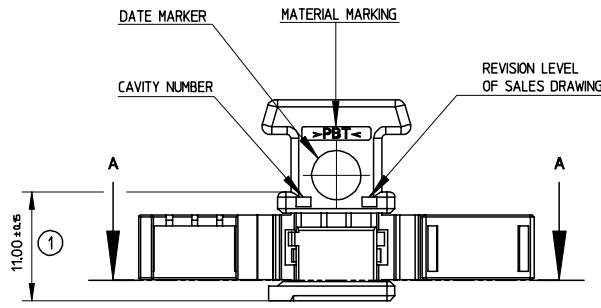
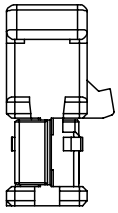
[98780](#) Header 0.635mm Pin, [98787](#) MOX Pin Housing

**Use With**

[98194](#) MOX FFC Terminal



CODING CHART					
BLACK	P/N: 0981980001	BROWN	P/N: 0981980002	GREY	P/N: 0981980003
		Y			
				28	



**NOTES:**  
 -Application Specification: AS-98198-001  
 -Material: PBT  
 -Terminals used: 98194

First Release EC NO: G2006-0578 DRWN: GDESBRUERES 2006/06/02 CHKD: MANDRE 2006/06/02 APPR: LSTICKEIR 2006/06/06	GENERAL TOLERANCES (UNLESS SPECIFIED)	DIMENSION STYLE MM ONLY	SCALE 2:1	DESIGN UNITS METRIC	FIRST ANGLE PROJECTION														
	<table border="1"> <thead> <tr> <th></th> <th>mm</th> <th>INCH</th> </tr> </thead> <tbody> <tr> <td>4 PLACES</td> <td>± ---</td> <td>± ---</td> </tr> <tr> <td>3 PLACES</td> <td>± ---</td> <td>± ---</td> </tr> <tr> <td>2 PLACES</td> <td>± 0.05</td> <td>± ---</td> </tr> <tr> <td>1 PLACE</td> <td>± 0.1</td> <td>± ---</td> </tr> </tbody> </table>		mm	INCH	4 PLACES	± ---	± ---	3 PLACES	± ---	± ---	2 PLACES	± 0.05	± ---	1 PLACE	± 0.1	± ---	DRAWN BY DATE G. DESBRUERES 2006/05/12	TITLE CONNECTOR 2X3CKT MOX 0.6 FEMALE HOUSING SALES DRAWING	
		mm	INCH																
	4 PLACES	± ---	± ---																
3 PLACES	± ---	± ---																	
2 PLACES	± 0.05	± ---																	
1 PLACE	± 0.1	± ---																	
DRAFT WHERE APPLICABLE MUST REMAIN WITHIN DIMENSIONS	APPROVED BY DATE L. STICKEIR 2006/05/12	MOLEX INCORPORATED		SHEET NO. 1 OF 1															
REV DESCRIPTION	SEE CHART	MATERIAL NO.	DOCUMENT NO. SD-98198-003																