

**PLEASE CHECK WWW.MOLEX.COM FOR LATEST PART INFORMATION**

**Part Number:** [1200655044](#)  
**Status:** **Active**  
**Overview:** [microchange m12 connectors](#)  
**Description:** Micro-Change® (M12) Single-Ended Cordset, Female - Pigtail, Right Angle, 4 Poles, Length 4.0m (13.12'), A-size (7/8" - 16 UN-2A), PUR Cable Preferred Verion in Europe

**Documents:**

[Drawing \(PDF\)](#)

[RoHS Certificate of Compliance \(PDF\)](#)

**General**

Product Family	Industrial Cordsets
Series	<a href="#">120065</a>
Connector End A	Micro-Change® (M12)
Connector End B	Pigtail
IP Rating	IP67
NEMA Rating	NEMA 6
Overview	<a href="#">microchange m12 connectors</a>
Product Name	Micro-Change® (M12)
Type	Single Ended

**Physical**

Cable Diameter	5.80mm (.230")
Cable Length	10.0m (32.81' )
Color - Cable Jacket	Yellow
Coupling Style	Threaded
Gender	Female-Pigtail
Keyway	Single
LED Indicator	No
Material - Cable Jacket	PUR
Material - Connector Body	PUR
Material - Contact	Copper
Material - Coupling Nut	Nickel-plated Brass
Material - O-Ring	Viton
Material - Plating Mating	Gold over Nickel
Orientation	Straight
Poles	12
Temperature Range - Operating	-25°C to +90°C
Wire Size AWG	22
Wire/Cable Type	UL 2661

**Electrical**

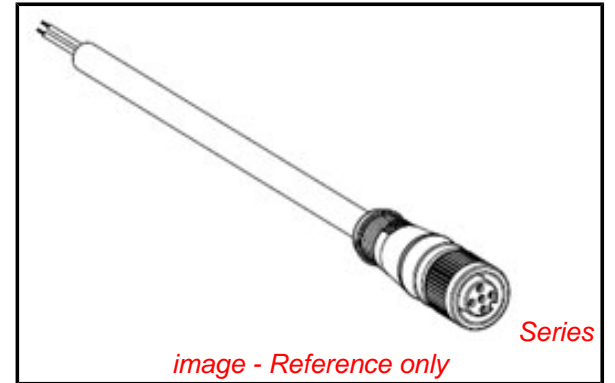
Current - Maximum per Contact	4A
Voltage - Maximum	250V AC/DC

**Material Info**

Old Part Number	80C000H45M100
-----------------	---------------

**Reference - Drawing Numbers**

Sales Drawing	SD-80C000H45MXXX
---------------	------------------



**EU RoHS**

**ELV and RoHS  
Compliant**  
**REACH SVHC  
Not Reviewed**  
**Halogen-Free  
Status  
Not Reviewed**

**China RoHS**



**Need more information on product  
environmental compliance?**

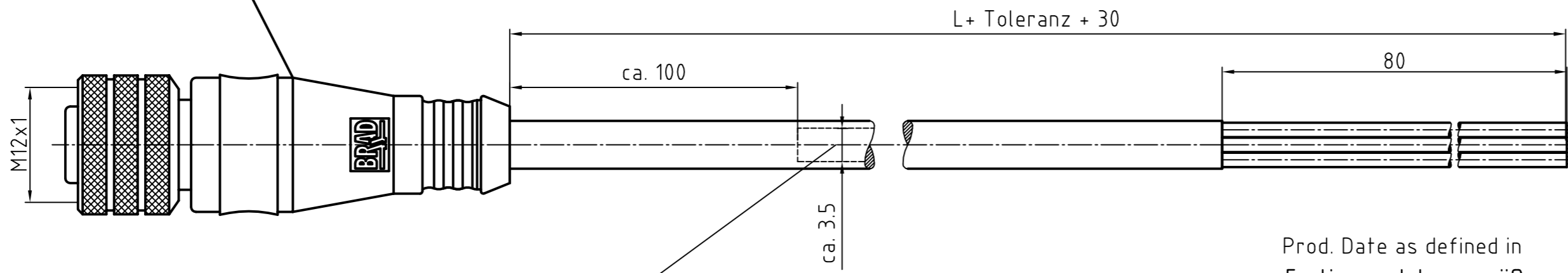
Email [productcompliance@molex.com](mailto:productcompliance@molex.com)  
 For a multiple part number RoHS Certificate of  
 Compliance, [click here](#)

Please visit the [Contact Us](#) section for any  
 non-product compliance questions.

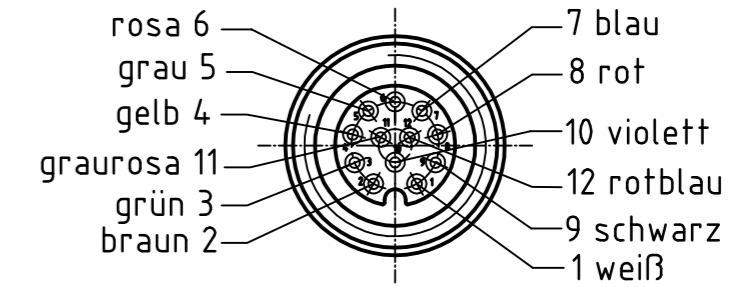
**Search Parts in this Series**

[120065Series](#)

Overmold PUR see Table  
 Umspritzung PUR siehe Tabelle



Mating Side  
 Female Cable Connector/  
 Steckseite  
 Kabeldose  
 12-Pol



Prod. Date as defined in  
 Fertigungsdatum gemäß  
 WN 00001 aufdrucken

**Kabelbedruckung:** Woodhead Connectivity GmbH 80C000H45MXXX X..  
 Cable printing:

Allgemeine Kennwerte General Characteristics		Norm Standard	
Polzahl Kontaktanordnung	Number of contacts Contact configuration	IEC 947-5-2	12
Bemessungsspannung	Rated Voltage	IEC 664	30V AC / DC
Verschmutzungsgrad	Pollution Degree	IEC 664	3
Betriebstrom	Current carrying capacity	IEC 512-3 Test 5 b	1,5A
Durchgangswiderstand	Contact Resistance	IEC 512-2 Test 2 a	< 5mOhm
Bemessungsstoßspannung	Rated Impulse Withstand Voltage	IEC 664	0,8 kV
Prüfspannung	Test Voltage	IEC 60512-2 Test 4 A	0,5 kV / 60 sec
Isolationswiderstand	Insulation Resistance	IEC 512-2 Test 3 A	> 10 GOhm
IP-Schutzart	IP Degree of Protection	IEC 529	IP 67
Stiftdurchmesser	Pin Diameter		0,6 mm
Werkstoffe	Kontakte	Materials	Kontakte Contacts
	Kontaktfläche		Kontakte Contacts
	Kontaktträger		Kontakte Plating
	Gehäuse (Umspritzung)		Dielectric Material
	Dichtung (O-Ring)		Housing (Overmold)
Schraubhülse	Gaskets (O-Ring)	VITON	Screw Sleeve
Anschlussart		Termination	Crimp
Brennbarkeit	Kontaktträger	Flammfähigkeit	Inserts
	Gehäuse (Umspritzung)		Housing (Overmold)
	Leitung / Kabel		Cable
Mechanische Lebensdauer		Mechanical Operation	100 Steckzyklen/Mating Cycles
Temperaturbereich		Temperature Range	IEC 60668-1 -25°C / +90°C

SAP-Nummer	Engineering Nr.:	Umspritzungsfarbe	Länge
SAP-Number		Overmold Color	Length
1200655040	80C000H45M020	yellow	2M
1200655041	80C000H45M040	yellow	4M
1200655042	80C000H45M050	yellow	5M
1200655043	80C000H45M060	yellow	6M
1200655044	80C000H45M100	yellow	10M
1200655052	80C000H45M020G	black	2M
1200655053	80C000H45M040G	black	4M
1200655054	80C000H45M050G	black	5M
1200655055	80C000H45M060G	black	6M
1200655056	80C000H45M100G	black	10M

Toleranzen Maß L: sichtbare Kabellänge  
 bei M8, M12 und M12U

von 0 bis 0.6 m:	±10 mm
über 0.6 bis 1 m:	+30 / -10 mm
über 1 bis 5 m:	±25 mm
über 5 bis 20 m:	±30 mm
über 20 m:	±50 mm

BU/ BLUE	bl/blau
WH/ WHITE	ws/weiß
GN/ GREEN	gn/ grün
GY/ GREY	gr/ grau
PK/ PINK	rs/ rosa
YE/ YELLOW	ge/ gelb
RD/ RED	rt/ rot
BK/ BLACK	sw/schwarz
VT/ VIOLET	vi/ violett
BN/ BROWN	bn/ braun

DESCRIPTION EC NO: WEU2009-0137 DRWN: LSTEMMLE 2008/07/22 CHKD: LS 2008/11/06 APPR: USAEUFFE 2008/11/26	QUALITY SYMBOLS ▽ = 0 C = 0	GENERAL TOLERANCES (UNLESS SPECIFIED)		DIMENSION STYLE	SCALE	DESIGN UNITS	FIRST ANGLE PROJECTION
		mm	INCH	MM	2:1	METRIC	
2	REV	DRAFT WHERE APPLICABLE MUST REMAIN WITHIN DIMENSIONS		DRAWN BY LS	DATE 2008/07/22	M12-12P-BU-Z-PUR-XM	
		SIZE A2		CHECKED BY US	DATE 2008/11/06	MOLEX INCORPORATED	
THIS DRAWING CONTAINS INFORMATION THAT IS PROPRIETARY TO MOLEX INCORPORATED AND SHOULD NOT BE USED WITHOUT WRITTEN PERMISSION				MATERIAL NO. see table	DOCUMENT NO. SD-80C000H45MXXX	SHEET NO. 1 OF 1	

(...) Dim. for information  
 (...) Informationsmaß