

**PLEASE CHECK WWW.MOLEX.COM FOR LATEST PART INFORMATION**

**Part Number:** [1300060374](#)  
**Status:** **Active**  
**Overview:** [minichange\\_products](#)  
**Description:** Mini-Change® A-Size Single-Ended Cordset, Straight Female to Pigtail, 3 Poles, 30.0m (98.40' ) Length

**Documents:**

[Drawing \(PDF\)](#) [RoHS Certificate of Compliance \(PDF\)](#)

**Agency Certification**

CSA LR6837

**General**

Product Family Industrial Cordsets  
 Series [130006](#)  
 Comments A-Size (7/8" - 16 UN-2B)  
 Connector End A Mini-Change®  
 Connector End B Pigtail  
 IP Rating IP67  
 NEMA Rating NEMA 6  
 Overview [minichange\\_products](#)  
 Product Name Mini-Change®  
 Type Single Ended

**Physical**

Cable Diameter 10.67mm (.420")  
 Cable Length 30.0m (98.40' )  
 Color - Cable Jacket Yellow  
 Coupling Style Threaded  
 Gender Female-Pigtail  
 Keyway Single  
 LED Indicator No  
 Material - Cable Jacket Rubber  
 Material - Connector Body PVC  
 Material - Contact Copper  
 Material - Coupling Nut Black Epoxy Coated Zinc  
 Material - Plating Mating Gold  
 Orientation Straight  
 Poles 3  
 Temperature Range - Operating -20°C to +90°C  
 Wire Size AWG 16  
 Wire/Cable Type SOO

**Electrical**

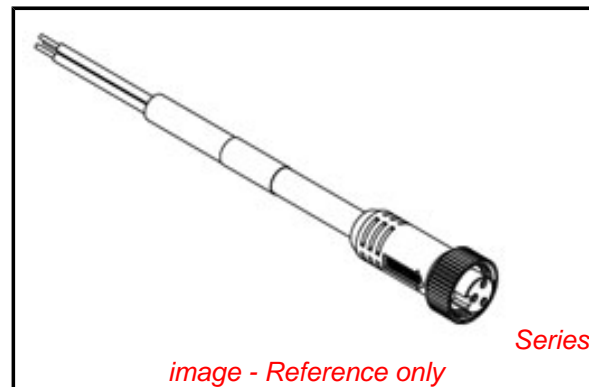
Current - Maximum per Contact 13A  
 Voltage - Maximum 600V

**Material Info**

Old Part Number 103000C01F030

**Reference - Drawing Numbers**

Sales Drawing SD-130006-023



**EU RoHS**

**RoHS Compliant by Exemption**  
**REACH SVHC Not Reviewed**  
**Halogen-Free Status Not Reviewed**

**China RoHS**



**Need more information on product environmental compliance?**

Email [productcompliance@molex.com](mailto:productcompliance@molex.com)  
 For a multiple part number RoHS Certificate of Compliance, [click here](#)

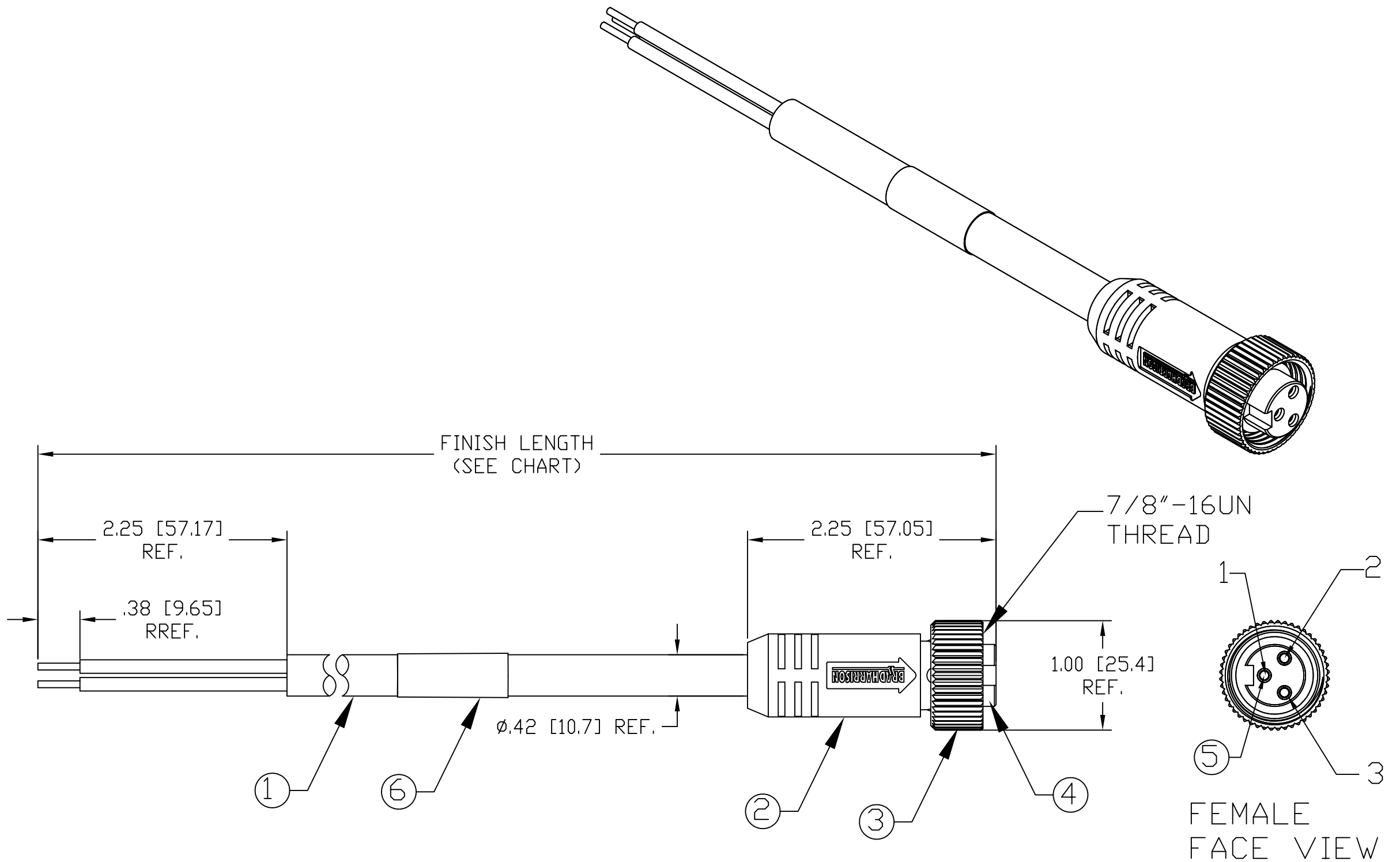
Please visit the [Contact Us](#) section for any non-product compliance questions.

**Search Parts in this Series**  
[130006Series](#)

13	12	11	10	9	8	7	6	5	4	3	2	1
PART NUMBER	ENGINEERING NUMBER	FINISH LENGTH										
1300060374	103000C01F030	3.00' +1.75" -0 [.9M +44.5 -0]										
1300060377	103000C01F060	6.00' +2.19" -0 [1.8M +55.6 -0]										
1300060380	103000C01F120	12.00' +3.50" -0 [3.7M +88.9 -0]										
1300060383	103000C01F200	20.00' +6.50" -0 [6.1M +165.1 -0]										
1300060386	103000C01F300	30.00' +12.50" -0 [9.1M +317.5 -0]										

NOTE

- 1) MATERIAL: SEE TABLE
- 2) FINISHES: SEE TABLE
- 3) WRAP LABEL IS MARKED WITH P/N, DATE CODE, VOLTAGE & AMPERAGE
- 4) MATES WITH: MINI CHANGE, 3 POLE RECEPTACLE
- 5) ELECTRICAL DATA:  
 INLINE CORDSET  
 FEMALE A-SIZE WITH FLYING LEADS  
 16AWG UNSHIELDED  
 POLES: 3  
 MAX. VOLTAGE: 600V  
 MAX. CURRENT 13A  
 PROTECTION IP67  
 TEMPERATURE RANGE: -20°C TO 90°C
- 6) PACKAGING:  
 CABLE ASSEMBLIES ARE BAGGED SEPERATELY  
 IN POLY BAGS WITH BAR CODE LABEL ATTACHED  
 TO OUTSIDE OF BAG.
- 7) ASSEMBLY IS RoHS COMPLIANT.
- 8) CERTIFICATION  
 UL RECOGNIZED, FILE NO. E152210  
 CSA CERTIFIED, FILE NO. LR6837



P1

1	GREEN-GND
2	RED WITH BLACK
3	RED WITH WHITE

WIRING DIAGRAM

ITEM	QTY.	DESCRIPTION	MATERIAL	FINISH
6	1	LABEL	PLASTIC FILM	BLACK/YELLOW
5	3	CONTACT SOCKET	COPPER ALLOY	GOLD PLATED
4	1	INSERT	PVC	YELLOW
3	1	COUPLING NUT	ZINC DIE CAST	BLACK E-COATED
2	1	OVERMOLD	PVC	YELLOW
1	1	CABLE, 16AWG-3 TYPE SOO	RUBBER	YELLOW

CORRECT COLOR ROTATION EC NO: WNA2010-0397 DRWN: BWOODMAN200912/28 CH'KD: LHARTMAN APPR: JFMURPHY 2010/01/05	DESCRIPTION REV	<b>QUALITY SYMBOL</b> ▽=0 ◻=0	<b>GENERAL TOLERANCES (UNLESS SPECIFIED)</b>		<b>DIMENSION STYLE</b> IN/MM		SCALE 1:1	DESIGN UNITS INCH	THIRD ANGLE PROJECTION			
		4 PLACES ±--- ±--- 3 PLACES ±--- ±.005 2 PLACES ±0.13 ±.010 1 PLACE ±0.25 ±.020		DRAWN BY DATE CHECKED BY DATE APPROVED BY DATE MATERIAL NO.		TITLE <b>MINI CHANGE ASSEMBLY          3-POLE FEMALE ST          16/3AWG RUBBER AUTO</b>		<b>MOLEX INCORPORATED</b>		SHEET NO. <b>1 OF 1</b>		
		ANGULAR ±1/2° DRAFT WHERE APPLICABLE MUST REMAIN WITHIN DIMENSIONS		DATE <b>2009/12/28</b> <b>2010/01/05</b>		DOCUMENT NO. <b>SD-130006-023</b>		THIS DRAWING CONTAINS INFORMATION THAT IS PROPRIETARY TO MOLEX INCORPORATED AND SHOULD NOT BE USED WITHOUT WRITTEN PERMISSION				
		<b>A</b>		<b>C</b>								