

PLEASE CHECK WWW.MOLEX.COM FOR LATEST PART INFORMATION

Part Number: **5031054410**
Status: **Active**
Overview: slimstack_mm016_pitch
Description: 0.40mm (.016") Pitch SlimStack™ Board-to-Board Receptacle, SMT, Dual Row, Vertical, 1.50mm (.059") Stacking Height, Without Solder Tabs, 44 Circuits

Documents:

[3D Model](#) [Product Specification PS-503105-001 \(PDF\)](#)
[Drawing \(PDF\)](#) [RoHS Certificate of Compliance \(PDF\)](#)

General

Product Family	PCB Receptacles
Series	503105
Application	Board-to-Board
Overview	slimstack_mm016_pitch
Product Name	SlimStack™

Physical

Circuits (Loaded)	44
Color - Resin	Black
Durability (mating cycles max)	30
Glow-Wire Compliant	No
Mated Height (in)	0.059 In
Mated Height (mm)	1.50 mm
Material - Metal	Phosphor Bronze
Material - Plating Mating	Gold
Material - Plating Termination	Gold
Number of Rows	2
Orientation	Vertical
PCB Locator	No
PCB Retention	None
Packaging Type	Embossed Tape on Reel
Pitch - Mating Interface (in)	0.016 In
Pitch - Mating Interface (mm)	0.40 mm
Polarized to Mating Part	No
Polarized to PCB	No
Stackable	No
Temperature Range - Operating	-30°C to +75°C
Termination Interface: Style	Surface Mount

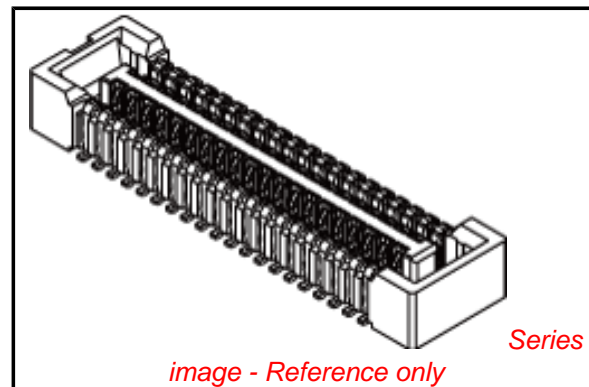
Electrical

Current - Maximum per Contact	0.3A
Voltage - Maximum	50V AC (RMS)/DC

Material Info

Reference - Drawing Numbers

Packaging Specification	SPK-503105-001
Product Specification	PS-503105-001, RPS-503105-003
Sales Drawing	SD-503105-001, SD-503105-002



EU RoHS

ELV and RoHS Compliant
REACH SVHC
Contains SVHC: No
Halogen-Free
Status
Not Reviewed

China RoHS



Need more information on product environmental compliance?

Email productcompliance@molex.com
 For a multiple part number RoHS Certificate of Compliance, [click here](#)

Please visit the [Contact Us](#) section for any non-product compliance questions.

Search Parts in this Series

503105Series

Mates With

503108 PCB Header

注記 NOTES

1. 使用材料 MATERIAL

ハウジング: 液晶ポリマー (LCP) ガラス充填 UL94V-0 (黒)
 HOUSING: LIQUID CRYSTAL POLYMER (GLASS FILLED) UL94V-0 (COLOR: BLACK)
 ターミナル: りん青銅 (t=0.1)
 TERMINAL : PHOSPHOR BRONZE (t=0.1)

2. メッキ仕様 PLATING

ターミナル TERMINAL

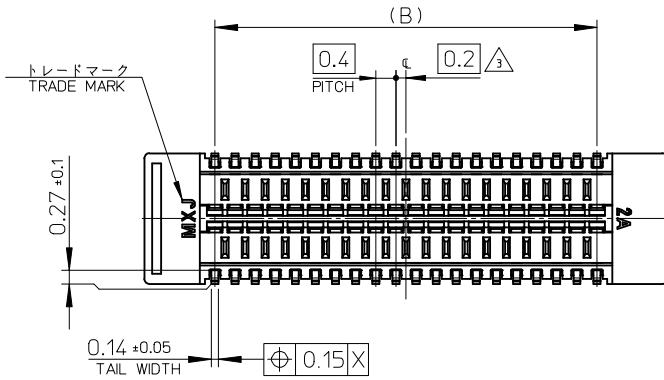
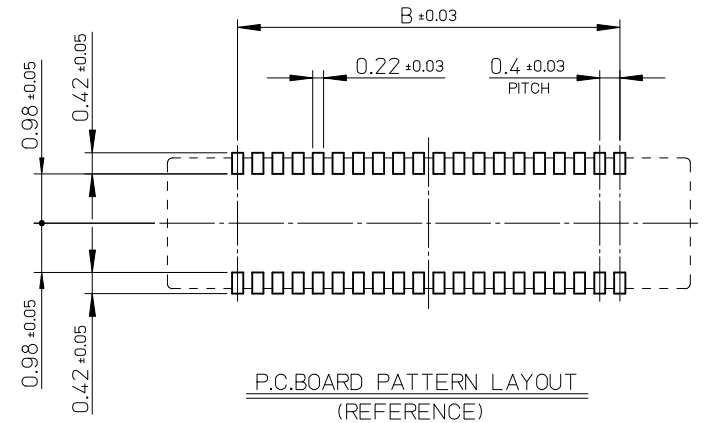
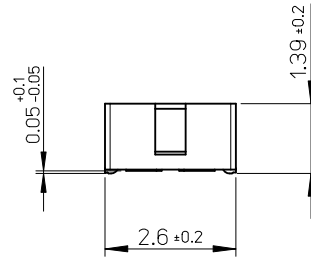
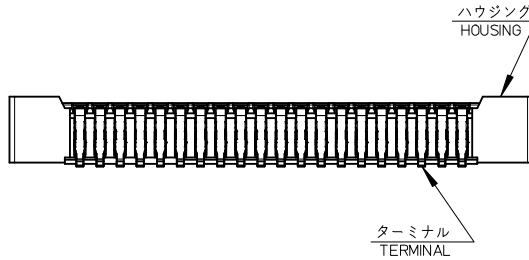
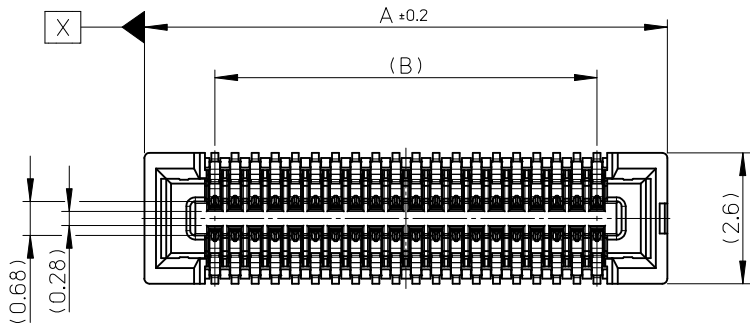
金メッキ 0.1 マイクロメートル以上 (コンタクト部)
 GOLD 0.1 MICROMETER MINIMUM (CONTACT AREA)
 金メッキ 0.05 マイクロメートル以上 (テール部)
 GOLD 0.05 MICROMETER MINIMUM (TAIL AREA)
 下地メッキ: ニッケルメッキ 1.0 マイクロメートル以上
 UNDER PLATING : NICKEL 1.0 MICROMETER MINIMUM

※コンタクト部とテール部はニッケルメッキによって分断されている金メッキです。
 DIVIDE INTO PARTS THE GOLD PLATING OF THE CONTACT AND THE TAIL PART BY THE NICKEL PLATING.

※封孔処理品
 SEALING TREATMENT

△ (全極数 / 2) = 偶数の場合に適用。
 APPLY FOR (CIRCUIT / 2) = EVEN.

4. 嵌合相手: 503108 シリーズ
 MATE WITH : 503108 SERIES.
5. テール平坦度は、0.1 以下
 TAIL COPLANARITY TO BE 0.1 MAXIMUM.
6. ELV 及び RoHS 適合品
 ELV AND RoHS COMPLIANT.

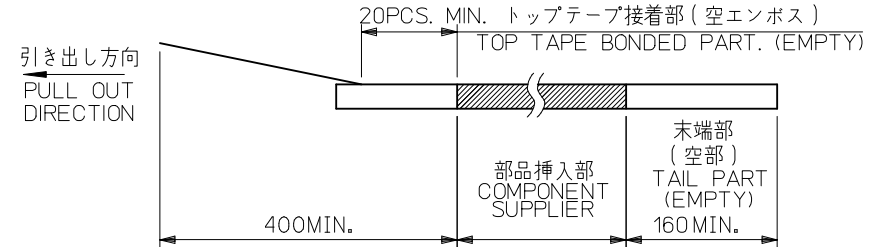


9.6	12.4	503105-5010	50
8.4	11.2	503105-4410	44
7.6	10.4	503105-4010	40
B	A	EMBOSSED TAPE	CKT.
		ORDER No. オーダー番号	
		CONNECTOR SERIES No. : 503105-***19	

REVISED EC NO: J2010-0621 DRWN: TANI GUCHI 012009/09/25 CHKD: THIRATA 2009/09/25 APPR: MSASAO 2009/09/25	GENERAL TOLERANCES (UNLESS SPECIFIED)		DIMENSION STYLE MM ONLY		SCALE 10:1	DESIGN UNITS METRIC	THIRD ANGLE PROJECTION	
	10 UNDER	± ---	DRAWN BY RTAKEUCHI	DATE 2008/07/02	TITLE 0.4 B-TO-B CONN. HGT=1.5 W=2.6 W/O NAIL REC ASSY			
	10 OVER 30 UNDER	± ---	CHECKED BY MSASAO	DATE 2008/07/02				
	30 OVER	± ---	APPROVED BY MSASAO	DATE 2008/07/02	MOLEX INCORPORATED DOCUMENT NO. SD-503105-001 SHEET NO. 1 OF 1			
ANGULAR	± --- °	MATERIAL NO. SEE CHART						
DRAFT WHERE APPLICABLE MUST REMAIN WITHIN DIMENSIONS		SIZE A3	THIS DRAWING CONTAINS INFORMATION THAT IS PROPRIETARY TO MOLEX INCORPORATED AND SHOULD NOT BE USED WITHOUT WRITTEN PERMISSION					

注記 NOTES

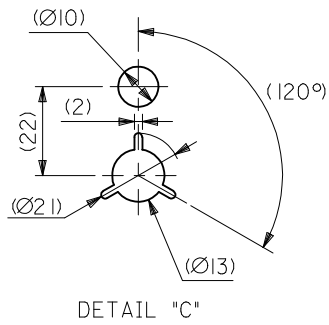
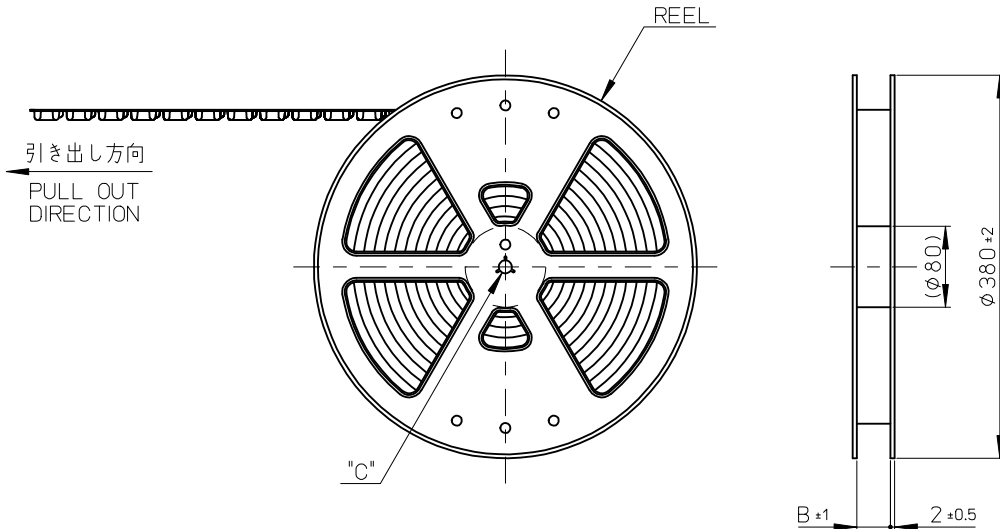
- 製品詳細寸法については製品単体図面を参照下さい。
RE DETAILED DIMENSION, SEE PRODUCT DRAWING.
- 梱包数量：3000 個/リール
NUMBER OF CONNECTORS : 3000PCS/REEL
- リードテープ長さ LEAD TAPE LENGTH



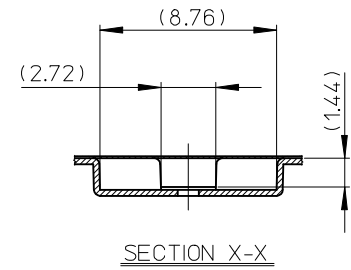
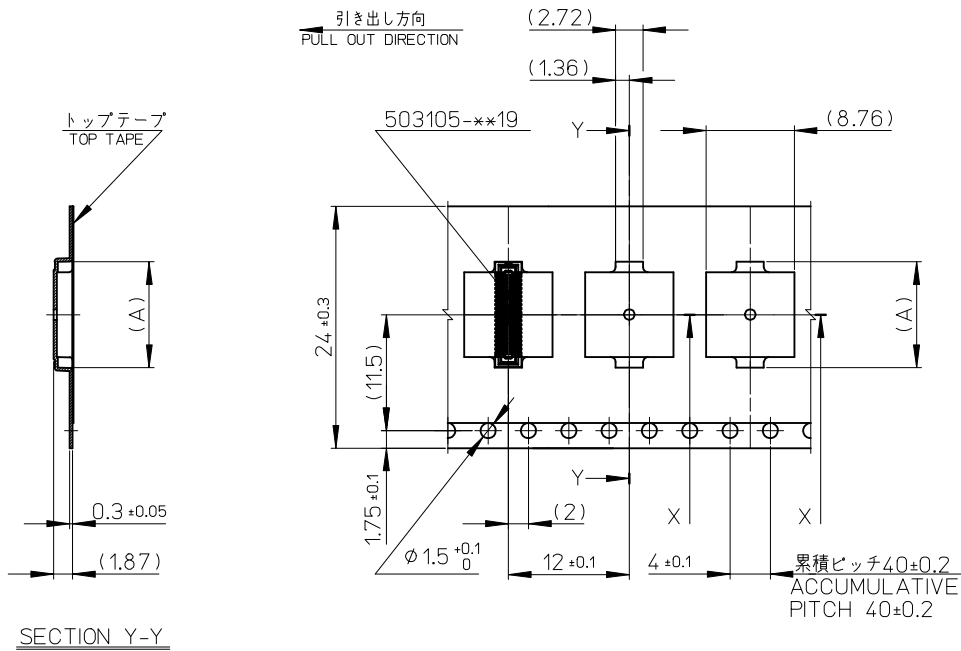
- トップテープの剥離強度：0.1N~1.3N(10gf~130gf)
(剥離方向は下図参照)
尚、本規格値は出荷時に適用。(但し、輸送時に剥離が発生しないこと。)
PEELING OFF FORCE OF TOP TAPE : 0.1N~1.3N(10gf~130gf)
(PEELING DIRECTION AS SHOWN IN FOLLOWING FIG.)
THIS REQUIREMENT SHOULD BE APPLIED AT SHIPMENT.
PEEL OFF SHOULD NOT BE ALLOWED , DURING TRANSPORTION.



- 材料 MATERIAL
キャリアテープ (CARRIER TAPE) : ポリスチレン (POLYSTYRENE)
トップテープ (TOP TAPE) : PET , PE , PEF
リール (REEL) : ポリスチレン (PS) <リサイクル材を含む>
POLYSTYRENE (PS) <RECYCLE MATERIAL CONTAINED>
- ELV 及び RoHS適合品
ELV AND RoHS COMPLIANT



REVISED EC NO.: J2009-2865 DRWN: TANI GUCHI 012009/06/22 CHKD: THIRATA 2009/06/22 APPR: MSASAO 2009/06/22	GENERAL TOLERANCES (UNLESS SPECIFIED)		DIMENSION STYLE MM ONLY		SCALE ---	DESIGN UNITS METRIC	MODEL NO. 503105-**-10
	10 UNDER	±---	DRAWN BY RTAKEUCHI	DATE 2008/08/20	TITLE 0.4 B-TO-B CONN. HGT=1.5 REC ASSY EMBSTP PKG		
	10 OVER 30 UNDER	±---	CHECKED BY THIRATA	DATE 2008/08/20	MOLEX INCORPORATED		
	30 OVER	±---	APPROVED BY MSASAO	DATE 2008/08/20	DOCUMENT NO. SD-503105-002		
REV	DESCRIPTION	ANGULAR ±---°	MATERIAL NO. SEE CHART		SHEET NO. 1 OF 2		
DRAFT WHERE APPLICABLE MUST REMAIN WITHIN DIMENSIONS		THIS DRAWING CONTAINS INFORMATION THAT IS PROPRIETARY TO MOLEX INCORPORATED AND SHOULD NOT BE USED WITHOUT WRITTEN PERMISSION					



24mm 幅キャリアテープ
24mm WIDTH CARRIER TAPE

24	25.5	12.52	503105-5010	50	
		11.32	503105-4410	44	
		10.52	503105-4010	40	
キャリアテープ幅 CARRIER TAPE WIDTH		B	(A)	MATERIAL No.	CKT.
			MODEL No.	503105-**-10	

REVISED EC NO.: J2009-2865 DRWN: TANIGUCHI 012009/06/22 CHKD: THIRATA 2009/06/22 APPR: MSASAO 2009/06/22	DESCRIPTION	GENERAL TOLERANCES (UNLESS SPECIFIED)		DIMENSION STYLE	SCALE	DESIGN UNITS	TITLE 0.4 B-TO-B CONN. HGT=1.5 REC ASSY EMBSTP PKG	
				MM ONLY	---	METRIC		
		10 UNDER	±---	DRAWN BY	DATE	TITLE		
		10 OVER 30 UNDER	±---	RTAKEUCHI	2008/08/20			
		30 OVER	±---	CHECKED BY	DATE			
		ANGULAR	±---°	APPROVED BY	DATE	MOLEX INCORPORATED		
DRAFT WHERE APPLICABLE MUST REMAIN WITHIN DIMENSIONS		MATERIAL NO.	SEE CHART	MSASAO	2008/08/20		DOCUMENT NO.	SHEET NO.
		SIZE	A3	THIS DRAWING CONTAINS INFORMATION THAT IS PROPRIETARY TO MOLEX INCORPORATED AND SHOULD NOT BE USED WITHOUT WRITTEN PERMISSION			SD-503105-002	2 OF 2