

**PLEASE CHECK WWW.MOLEX.COM FOR LATEST PART INFORMATION**

**Part Number:** [0190690033](#)  
**Status:** **Active**  
**Description:** Krimptite™ Ring Tongue Terminal for 18-22 AWG Wire

**Documents:**  
[Drawing \(PDF\)](#) [RoHS Certificate of Compliance \(PDF\)](#)

**Agency Certification**

CSA	LR18689
UL	E32244

**General**

Product Family	Ring and Spade Terminals
Series	<a href="#">19069</a>
Crimp Quality Equipment	Yes
Mil-Spec	N/A
Product Name	Krimptite™
Type	Ring

**Physical**

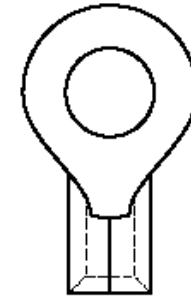
Barrel Type	Closed
Insulation	None
Material - Plating Mating	Tin
Packaging Type	Bag
Plating min: Mating (µin)	100
Plating min: Mating (µm)	2.5
Plating min: Termination (µin)	100
Plating min: Termination (µm)	2.5
Stud Size	5-6 (M3-3.5)
Wire Size AWG	18, 20, 22
Wire Size mm²	0.35 - 0.80

**Material Info**

Old Part Number	AA-121-06
-----------------	-----------

**Reference - Drawing Numbers**

Sales Drawing	SD-19069-004
---------------	--------------



*Series  
image - Reference only*

**EU RoHS**

**ELV and RoHS  
Compliant**

**REACH SVHC**

**Contains SVHC: No**

**Halogen-Free**

**Status**

**Halogen-Free**

**China RoHS**



**Need more information on product  
environmental compliance?**

Email [productcompliance@molex.com](mailto:productcompliance@molex.com)  
 For a multiple part number RoHS Certificate of  
 Compliance, [click here](#)

Please visit the [Contact Us](#) section for any  
 non-product compliance questions.

**Search Parts in this Series**

[19069Series](#)

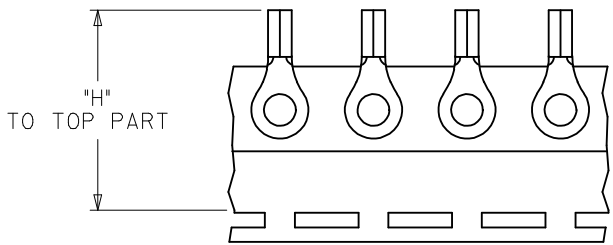
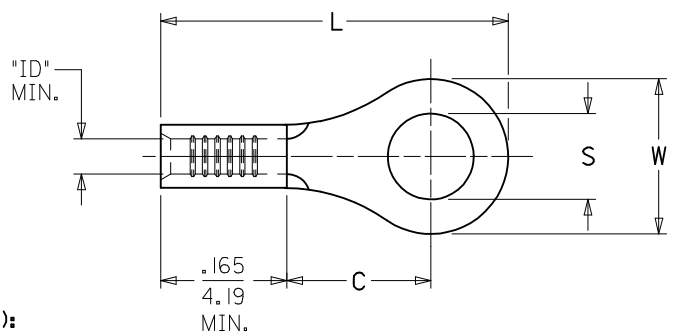
**Application Tooling | [FAQ](#)**

*Tooling specifications and manuals are  
 found by selecting the products below.  
 Crimp Height Specifications are then  
 contained in the Application Tooling  
 Specification document.*

**Global**

Description	Product #
Hand Crimp Tool	<a href="#">0640030100</a>
Crimp Head for the AT-200™ Pneumatic Hand Tool	<a href="#">0640070100</a>

	10	9	8	7	6	5	4	3	2	1		
	MATERIAL NO. LOOSE PIECE	ENG. NO.	MATERIAL NO. TAPE MOUNTED	ENG. NO.	STUD SIZE	"S" ±.003/(0.08)	"W" MAX.	"C" MIN.	"L" MAX.	"ID" MIN.	STOCK THICKNESS	"H" ±.020/0.51
F	190690027	AA-120-02	190690028	AA-120-02T	2	.094/(2.39)	.235/(6.00)	.157/(3.99)	.484/(12.29)	.062/(1.57)	.028/(0.71)	1.155/(29.34)
	190690029	AA-120-04	190690030	AA-120-04T	4	.119/(3.02)						
	190690031	AA-120-06	190690032	AA-120-06T	6	.146/(3.71)						
	190690033	AA-121-06	190690034	AA-121-06T	6	.146/(3.71)	.322/(8.18)	.270/(6.86)	.641/(16.28)	.062/(1.57)	.028/(0.71)	1.155/(29.34)
	190690035	AA-121-08	190690036	AA-121-08T	8	.173/(4.39)						
	190690037	AA-121-10	190690038	AA-121-10T	10	.198/(5.03)						
	190690039	AA-121-209	190690475	AA-121-209T	209	.209/(5.18)	.477/(12.11)	.386/(9.80)	.835/(21.21)	.062/(1.57)	.028/(0.71)	1.155/(29.34)
E	190690040	AA-122-10	190690041	AA-122-10T	10	.198/(5.03)						
	190690042	AA-122-14	190690044	AA-122-14T	14	.265/(6.71)						
	190690045	AA-122-56	190690046	AA-122-56T	56	.328/(8.33)	.544/(13.82)	.552/(14.02)	1.034/(26.26)	.055/(1.40)	.031/(0.79)	1.342/(34.09)
	190690047	AA-126-10	-----	-----	10	.198/(5.03)						
	190690048	AA-126-14	190690128	AA-126-14T	14	.265/(6.71)						
	190690051	AA-126-56	-----	-----	56	.328/(8.33)	.264/(6.70)	.240/(6.10)	.582/(14.78)	.062/(1.57)	.028/(0.71)	1.155/(29.34)
	190690049	AA-126-38	190690050	AA-126-38T	38	.390/(9.91)						
	190690052	AA-132-04	190690053	AA-132-04T	4	.119/(3.02)						
D	190690054	AA-132-06	190690055	AA-132-06T	6	.146/(3.71)	.283/(7.20)	.240/(6.10)	.591/(15.00)	.062/(1.57)	.028/(0.71)	1.155/(29.34)
	190690056	AA-132-08	190690057	AA-132-08T	8	.173/(4.39) <b>(C1)</b>						
	190690061	AA-133-10	190690062	AA-133-10T	10	.198/(5.03)						
	190690024	AA-1111-02	190690191	AA-1111-02T	2	.094/(2.39)	.197/(5.00)	.173/(4.40)	.490/(12.40)	.055/(1.40)	.031/(0.79)	1.155/(29.34)
	190690025	AA-1111-04	190690026	AA-1111-04T	4	.119/(3.02)						



SALES DRAWING

**NOTE(S):**  
 1. MATERIAL: COPPER.  
 2. PLATING: ELECTRO-TIN.  
 3. ALL DIMENSIONS IN INCHES/(MM).

WIRE SIZE:  
 22-18 AWG  
 0.25-1.5 MM<sup>2</sup>

**(C1)** 4. PARTS ARE ROHS COMPLIANT.

FIX TYPO ON .173 DIM EC NO: WNA2009-0432 DRAWN: THRODAHL 2009/01/15 CHKD: JMACNEIL 2009/01/16 APPR: JMACNEIL 2009/01/16 REV: C1	QUALITY SYMBOLS	GENERAL TOLERANCES (UNLESS SPECIFIED)	DIMENSION STYLE	SCALE	DESIGN UNITS	THIRD ANGLE PROJECTION
	▽=0	mm INCH	IN/MM	1:1	INCH	
	▽=0	4 PLACES ± --- ± ---	DRAWN BY DATE	RING TONGUE TERMINAL KRIMPTITE, 100 SERIES 22-18 AWG		
		3 PLACES ± --- ± ---	BDEROSS 2000/6/13			
	2 PLACES ± --- ± ---	CHECKED BY DATE	MOLEX INCORPORATED DOCUMENT NO. SD-19069-004 SHEET NO. 1 OF 1			
	1 PLACE ± --- ± ---	JHACKNEY 2000/6/13				
	ANGULAR ± ---°	APPROVED BY DATE	THIS DRAWING CONTAINS INFORMATION THAT IS PROPRIETARY TO MOLEX INCORPORATED AND SHOULD NOT BE USED WITHOUT WRITTEN PERMISSION			
		RDEROSS 2000/6/13				
		MATERIAL NO.				
		DRAFT WHERE APPLICABLE MUST REMAIN WITHIN DIMENSIONS	SEE CHART			
		SIZE B				