

**PLEASE CHECK WWW.MOLEX.COM FOR LATEST PART INFORMATION**

**Part Number:** [0022552382](#)  
**Status:** **Active**  
**Overview:** [cgrid\\_sl\\_products](#)  
**Description:** 2.54mm (.100") Pitch SL™ Crimp Housing, Dual Row, Version B, Polarized, 38 Circuits

**Documents:**

<a href="#">3D Model</a>	<a href="#">Product Specification PS-70058 (PDF)</a>
<a href="#">Packaging Specification (PDF)</a>	<a href="#">Product Specification PS-70400 (PDF)</a>
<a href="#">Drawing (PDF)</a>	<a href="#">RoHS Certificate of Compliance (PDF)</a>

**Agency Certification**

CSA	LR19980
UL	E29179

**General**

Product Family	Crimp Housings
Series	<a href="#">70450</a>
Comments	Version B
Overview	<a href="#">cgrid_sl_products</a>
Product Name	SL™

**Physical**

Breakaway	No
Circuits (maximum)	38
Color - Resin	Black
Flammability	94V-0
Gender	Female
Glow-Wire Compliant	No
Material - Resin	Polyester
Number of Rows	2
Packaging Type	Bag
Panel Mount	No
Pitch - Mating Interface (in)	0.100 In
Pitch - Mating Interface (mm)	2.54 mm
Stackable	No
Temperature Range - Operating	-40°C to +105°C

**Material Info**

Old Part Number	70450-0067
-----------------	------------

**Reference - Drawing Numbers**

Packaging Specification	PK-70450-100
Product Specification	PS-70058, PS-70400
Sales Drawing	SD-70450-0050-0075
Test Summary	TS-70058-001



**EU RoHS**

**ELV and RoHS Compliant**  
**REACH SVHC**  
 Not Reviewed  
**Halogen-Free Status**  
**Not Reviewed**

**China RoHS**



**Need more information on product environmental compliance?**

Email [productcompliance@molex.com](mailto:productcompliance@molex.com)  
 For a multiple part number RoHS Certificate of Compliance, [click here](#)

Please visit the [Contact Us](#) section for any non-product compliance questions.

**Search Parts in this Series**

[70450Series](#)

**Mates With**

[70246](#) Straight Header, [70247](#) Right Angle Header, [87256](#), [87257](#)

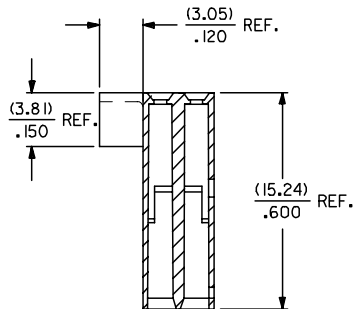
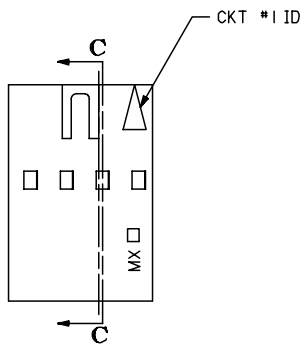
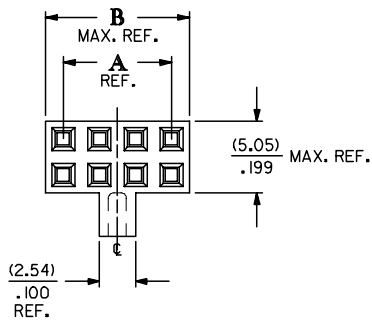
**Use With**

[70058](#) , [71851](#)

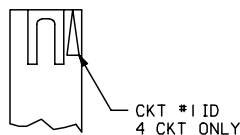
**NOTES:**

1. MATERIAL: G.F. POLYESTER
2. HOUSING TO BE USED WITH TERMINAL NOS. 70028, 70058, AND 71851.
3. HOUSING TO BE USED WITH (0.64)/.025 SQUARE OR ROUND PINS.
4. REFER TO MOLEX PRODUCT SPECIFICATION PS-70058.
5. PACKAGE PER PK-70450-100.
6. PARTS CONFORM TO CLASS C OF COSMETIC SPECIFICATION PS-45499-002.

**OPTION "B"**



**SECTION C-C**



CKT. SIZE	EDP. NO.	ENG. NO.	DIM "A" REF.	DIM "B" MAX. REF.
4	022-55-2042	70450-0050	(2.54) / .100	(5.05) / .199
6	022-55-2062	70450-0051	(5.08) / .200	(7.59) / .299
8	022-55-2082	70450-0052	(7.62) / .300	(10.13) / .399
10	022-55-2102	70450-0053	(10.16) / .400	(12.67) / .499
12	022-55-2122	70450-0054	(12.70) / .500	(15.21) / .599
14	022-55-2142	70450-0055	(15.24) / .600	(17.75) / .699
16	022-55-2162	70450-0056	(17.78) / .700	(20.29) / .799
18	022-55-2182	70450-0057	(20.32) / .800	(22.83) / .899
20	022-55-2202	70450-0058	(22.86) / .900	(25.37) / .999
22	022-55-2222	70450-0059	(25.40) / 1.000	(27.91) / 1.099
24	022-55-2242	70450-0060	(27.94) / 1.100	(30.45) / 1.199
26	022-55-2262	70450-0061	(30.48) / 1.200	(32.99) / 1.299
28	022-55-2282	70450-0062	(33.02) / 1.300	(35.53) / 1.399
30	022-55-2302	70450-0063	(35.56) / 1.400	(38.07) / 1.499
32	022-55-2322	70450-0064	(38.10) / 1.500	(40.61) / 1.599
34	022-55-2342	70450-0065	(40.64) / 1.600	(43.15) / 1.699
36	022-55-2362	70450-0066	(43.18) / 1.700	(45.69) / 1.799
38	022-55-2382	70450-0067	(45.72) / 1.800	(48.23) / 1.899
40	022-55-2402	70450-0068	(48.26) / 1.900	(50.77) / 1.999
42	022-55-2422	70450-0069	(50.80) / 2.000	(53.31) / 2.099
44	022-55-2442	70450-0070	(53.34) / 2.100	(55.85) / 2.199
46	022-55-2462	70450-0071	(55.88) / 2.200	(58.39) / 2.299
48	022-55-2482	70450-0072	(58.42) / 2.300	(60.93) / 2.399
50	022-55-2502	70450-0073	(60.96) / 2.400	(63.47) / 2.499
52	NOT TOOLED	70450-0074	(63.50) / 2.500	(66.01) / 2.599
54	NOT TOOLED	70450-0075	(66.04) / 2.600	(68.55) / 2.699

ADD COSMETIC SPEC EC NO: UCP2007-2009 DRAWN: JORGAN 2007/02/23 CHKD: MS BARRA 2007/02/23 APPR: SMILLER 2007/02/27	QUALITY SYMBOLS ▽=0 ▽=0	GENERAL TOLERANCES (UNLESS SPECIFIED)		DIMENSION STYLE MM/IN		SCALE 4:1	DESIGN UNITS INCH	THIRD ANGLE PROJECTION			
		4 PLACES ± --- ± --- 3 PLACES ± --- ± .010 2 PLACES ± 0.25 ± .014 1 PLACE ± 0.35 ± --- ANGULAR ±1/2°	DRAWN BY MJM DATE 1986/10/22	TITLE HOUSING-CONNECTOR DUAL ROW (2.54)/.100 GRID WITH POLARIZATION KEY							
		DRAFT WHERE APPLICABLE MUST REMAIN WITHIN DIMENSIONS	CHECKED BY MJM DATE 1986/10/22	MOLEX INCORPORATED							
		SEE CHART	APPROVED BY WAZ DATE 1986/10/22	MATERIAL NO. SD-70450-0050-0075	DOCUMENT NO.	SHEET NO. 1 OF 1					