

**PLEASE CHECK WWW.MOLEX.COM FOR LATEST PART INFORMATION**

**Part Number:** [0352780610](#)  
**Status:** **Active**  
**Description:** 6.35mm (.250") Tab Width, Powermate Relay Housing, Female, Natural (Off White), 6 Circuits

**Documents:**

[Drawing \(PDF\)](#) [RoHS Certificate of Compliance \(PDF\)](#)  
[Product Specification PS-35270-001 \(PDF\)](#)

**General**

Product Family	Crimp Housings
Series	<a href="#">35278</a>
Comments	Pre-Loaded Terminal Position Assurance (TPA™)
Product Name	N/A

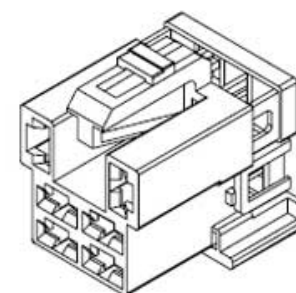
**Physical**

Circuits (maximum)	6
Color - Resin	Natural
Gender	Female
Glow-Wire Compliant	No
Lock to Mating Part	Yes
Material - Resin	Polyester
Number of Rows	3
Packaging Type	Bag
Panel Mount	Yes
Pitch - Mating Interface (in)	0.354 In
Pitch - Mating Interface (mm)	9.00 mm
Polarized to Mating Part	Yes
Stackable	No
Temperature Range - Operating	-40°C to +80°C

**Material Info**

**Reference - Drawing Numbers**

Product Specification	PS-35270-001
Sales Drawing	SD-35278-001, SD-35278-0617



*Series  
image - Reference only*

**EU RoHS**

**ELV and RoHS  
Compliant**  
**REACH SVHC**  
 Not Reviewed  
**Halogen-Free  
Status**

**China RoHS**



**Need more information on product  
environmental compliance?**

Email [productcompliance@molex.com](mailto:productcompliance@molex.com)  
 For a multiple part number RoHS Certificate of Compliance, [click here](#)

Please visit the [Contact Us](#) section for any non-product compliance questions.

**Search Parts in this Series**

[35278Series](#)

**Mates With**

[35272 Housing](#)

**Use With**

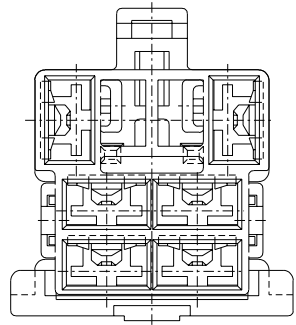
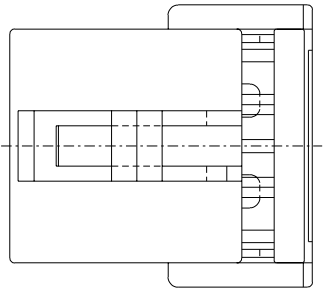
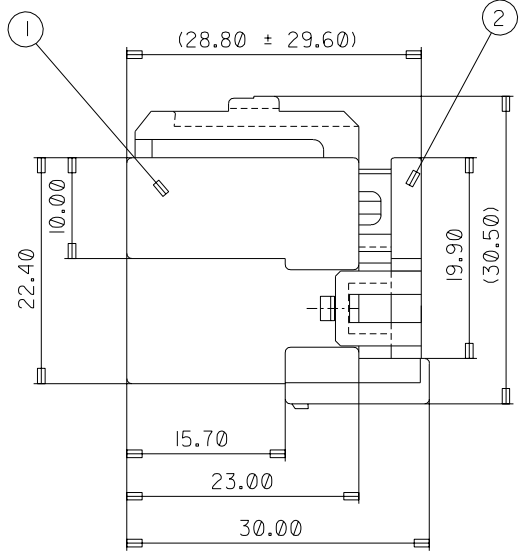
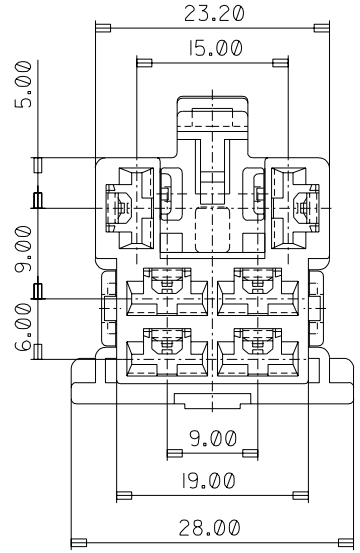
[35427](#) , [35430](#) Terminals

DO NOT SCALE DRAWING DIMENSION IN METRIC

PROJECT NO. SIMILAR ITEM DWG. NO. SD 35278-001

	P/NO.	PART NAME	MATERIAL	COLOR
△ B	35278-0690	POWERMATE RLY FEMALE HSG 6P	POLYESTER	NATURAL
①	35278-0697	POWERMATE RLY FEMALE HSG 6P	POLYESTER	BROWN
②	35279-0680	POWERMATE RLY FEMALE TPA 6P	POLYESTER	NATURAL

\* APPLICABLE TERMINAL : 35427-97\*\*,98\*\*,99\*\*  
35430-1700,1800,1900



MATERIAL NO.	ENG. NO.
352780610	35278-0610
352780617	35278-0617

REVISED	DESCRIPTION	MAJOR	CRITICAL
EC NO. KOR2004-00070	DRWN: S.M.KIM 04/01/08	CHG: B.C.YOON 04/01/08	APPR: C.W.LEE
B			

QUALITY SYMBOLS		GENERAL TOLERANCES: (UNLESS SPECIFIED)	
MAJOR	▲ =	mm	INCH
CRITICAL	△ =	4 PLACES ±0.	±.
		3 PLACES ±0.	±.
		2 PLACES ±0.3	±.
		1 PLACE ±0.	±.
		ANGULAR: ±3 °	
DRAFT WHERE APPLICABLE MUST REMAIN WITHIN DIMENSIONS			

SCALE	DESIGN UNITS	TITLE:
2 : 1	<input checked="" type="checkbox"/> mm <input type="checkbox"/> INCH	POWERMATE RLY FEMALE ASS'Y 6P
DRAWN BY & DATE		MATERIAL NO. SEE TABLE
J.K.OH 97/09/22		
CHECKED BY & DATE		DRAWING NO. SD 35278-001
B.K.CHOI 97/09/22		
APPROVED BY & DATE		SHEET NO. 1/1
C.W.LEE 97/09/22		
CAD FILENAME		THIS DRAWING CONTAINS INFORMATION THAT IS PROPRIETARY TO MOLEX INCORPORATED AND SHOULD NOT BE USED WITHOUT WRITTEN PERMISSION.
SD352786P.DGN		SIZE B

DIMENSIONS:		SHT	REV
<input type="checkbox"/> mm <input type="checkbox"/> INCH	<input checked="" type="checkbox"/> mm ONLY		REVISE ON CAD ONLY
THIRD ANGLE PROJECTION			
MATERIAL NO. SEE TABLE			
DRAWING NO. SD 35278-001			
SHEET NO. 1/1			

DWG. NO.  
SD 35278-0617

SIMILAR ITEM

PROJECT NO.

C

B

DO NOT SCALE DRAWING  
DIMENSION IN METRIC

8 7 6 5 4 3 2 1

F

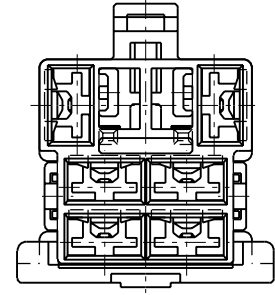
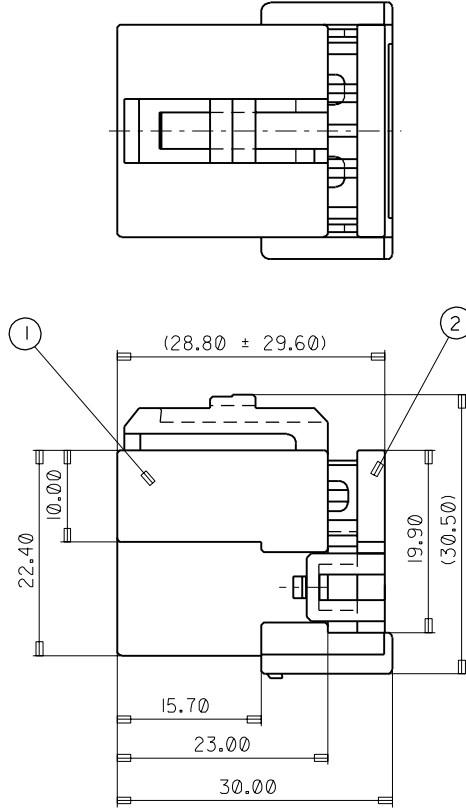
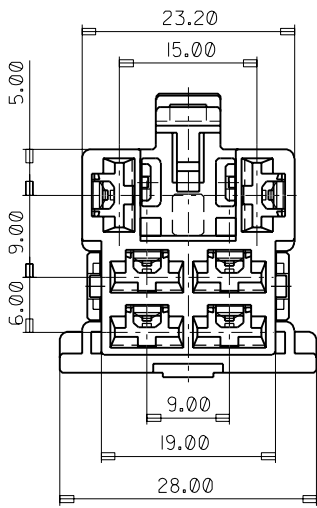
E

D

C

B

A



	P/NO.	PART NAME	MATERIAL
①	35278-0697	POWERMATE RLY FEMALE HSG 6P	PBT BROWN COLOR
②	35279-0680	POWERMATE RLY FEMALE TPA 6P	PBT NATURAL COLOR

• APPLICABLE TERMINAL : 35427-97\*\*.,98\*\*,99\*\*  
35430-1700,1800,1900

NEW RELEASE  
EC NO. KOR1998-0085  
DRWN: J.K OH 98.6.2  
CHK: J.K OH 98.6.2  
APPR:

DESCRIPTION  
MAJOR  
CRITICAL

	GENERAL TOLERANCES: (UNLESS SPECIFIED)	
	mm	INCH
4 PLACES	±0.	±.
3 PLACES	±0.	±.
2 PLACES	±0.3	±.
1 PLACE	±0.	±.
ANGULAR: ±3 °		

SCALE 2 : 1  
DESIGN UNITS  mm  INCH  
DRAWN BY & DATE 970922 J.K.OH  
CHECKED BY & DATE  
APPROVED BY & DATE

THIRD ANGLE PROJECTION  
DIMENSIONS:  mm  INCH  mm ONLY  
TITLE: POWERMATE RLY FEMALE ASS'Y 6P  
MOLEX INCORPORATED KOREA

SHT REV  
REVISE ON CAD ONLY  
CAD FILENAME MATERIAL NO. 352-78-0617 DRAWING NO. SD 35278-0617 SHEET NO. 1/1  
THIS DRAWING CONTAINS INFORMATION THAT IS PROPRIETARY TO MOLEX INCORPORATED AND SHOULD NOT BE USED WITHOUT WRITTEN PERMISSION. SIZE B

8 7 6 5 4 3 2 1

MX-A3