

PLEASE CHECK WWW.MOLEX.COM FOR LATEST PART INFORMATION

Part Number: [0354216702](#)
Status: **Active**
Description: Tab Crimp Terminal 35421, AVS (CAVS) 0.30-0.50mm² (.012-.050)

Documents:

[Drawing \(PDF\)](#) [Product Specification PS-35385-001 \(PDF\)](#)
[Product Specification PS-35282-001 \(PDF\)](#) [RoHS Certificate of Compliance \(PDF\)](#)

General

Product Family Crimp Terminals
 Series [35421](#)
 Crimp Quality Equipment Yes
 Product Name N/A

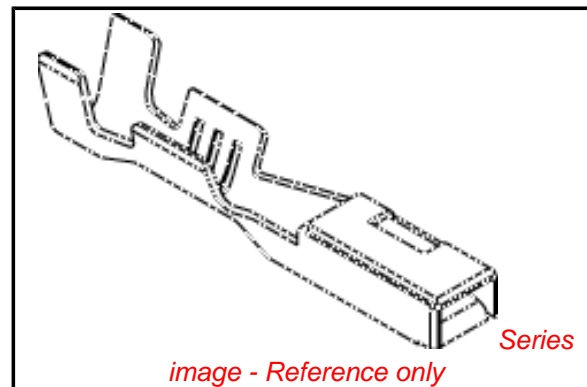
Physical

Gender Female
 Material - Metal High Performance Alloy (HPA)
 Material - Plating Mating Tin
 Material - Plating Termination Tin
 Packaging Type Reel
 Plating min: Mating (µin) 32.00
 Plating min: Mating (µm) 0.800
 Plating min: Termination (µin) 32.00
 Plating min: Termination (µm) 0.80
 Termination Interface: Style Crimp or Compression
 Wire Insulation Diameter 2.20mm (.087") max.
 Wire Size AWG 20, 22
 Wire Size mm² N/A

Material Info

Reference - Drawing Numbers

Product Specification PS-35282-001, PS-35385-001
 Sales Drawing SD-35421-001, SD-35421-6*02



EU RoHS

**ELV and RoHS
 Compliant**
**REACH SVHC
 Contains SVHC: No**
**Halogen-Free
 Status**

China RoHS



**Need more information on product
 environmental compliance?**

Email productcompliance@molex.com
 For a multiple part number RoHS Certificate of
 Compliance, [click here](#)

Please visit the [Contact Us](#) section for any
 non-product compliance questions.

Search Parts in this Series

[35421Series](#)

Mates With

[35420](#)

Use With

[35378](#) , [35374](#)

PLEASE CHECK WWW.MOLEX.COM FOR LATEST PART INFORMATION

DO NOT SCALE DRAWING
DIMENSION IN METRIC

B

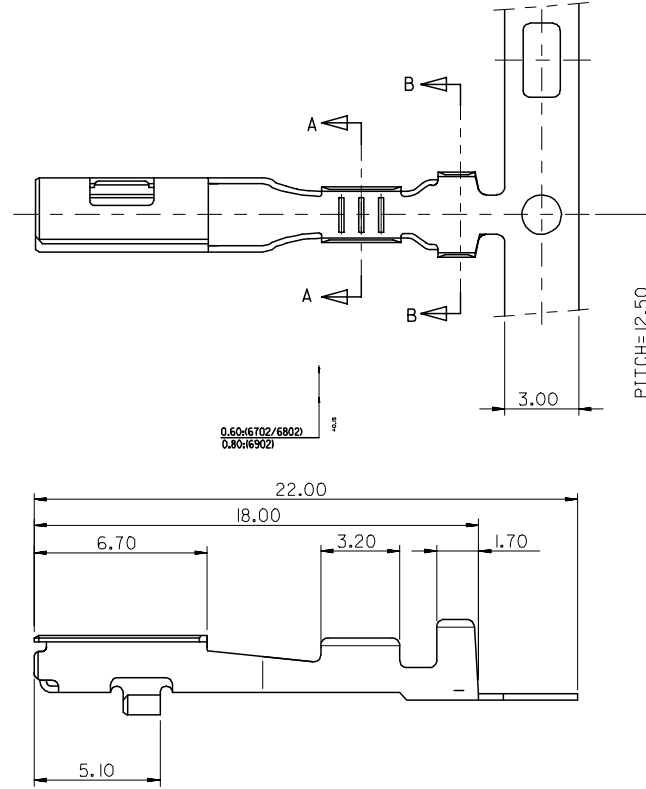
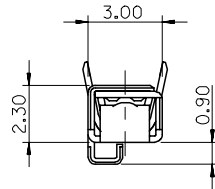
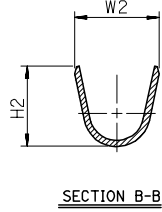
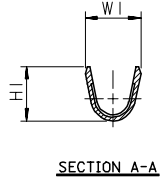
C

PROJECT NO.

SIMILAR ITEM

DWG. IO.
SD-3542I-001

ENG.NO	DESCRIPTION	DIMENSION				WIRE RANGE mm ²
		W1	H1	W2	H2	
3542I-6702	UNICONN FEMALE TERMINAL (S)	2.1	2.2	3.4	3.25	AVS(CAVS) 0.3,0.5
3542I-6802	UNICONN FEMALE TERMINAL (M)	2.6	2.95	4.0	3.8	AVS(CAVS) 0.5,0.85,1.25
3542I-6902	UNICONN FEMALE TERMINAL (L)	3.6	4.0	4.3	3.9	AVSS 2f



NOTE
 1. MATERIAL : COPPER ALLOY, ± 0.25 .
 2. FINISH : PRE-TIN PLATE.
 3. INSERTION-EXTRACTION FORCE WITH TAB TERMINAL P/N 35420.
 INSERTION FORCE : 0.30 ± 1.0 Kgf.
 AFTER SIX TIMES OF INSERTION & EXTRACTION FORCE : 0.15 ± 1.0 Kgf.

REVISED EC NO. KOR2005-0169 DRWN: S.M.KIM 05/02/28 CHK: B.C.YOON 05/02/28 APPR: C.W.LEE	DESCRIPTION MAJOR = CRITICAL =	QUALITY SYMBOLS		GENERAL TOLERANCES: (UNLESS SPECIFIED)		SCALE 5:1	DESIGN UNITS <input checked="" type="checkbox"/> MM <input type="checkbox"/> INCH	DIMENSIONS: <input type="checkbox"/> MM <input type="checkbox"/> INCH <input type="checkbox"/> MM <input checked="" type="checkbox"/> ONLY		SHT	REV
		DRAWN BY & DATE Y.SIK.KIM 97/12/03		CHECKED BY & DATE B.K.CHOI 97/12/03		APPROVED BY & DATE C.W.LEE 97/12/03		TITLE: UNICONN FEMALE TERMINAL		REVISE ON CAD ONLY	
		MATERIAL NO. SEE TABLE		DRAWING NO. SD-3542I-001		SHEET NO. 10F1		MATERIAL NO. SEE TABLE		DRAWING NO. SD-3542I-001	
		CAD FILENAME SD3542I.DGN		MATERIAL NO. SEE TABLE		DRAWING NO. SD-3542I-001		SHEET NO. 10F1		MATERIAL NO. SEE TABLE	
DRAFT WHERE APPLICABLE MUST REMAIN WITHIN DIMENSIONS		THIS DRAWING CONTAINS INFORMATION THAT IS PROPRIETARY TO MOLEX INCORPORATED AND SHOULD NOT BE USED WITHOUT WRITTEN PERMISSION.									
SIZE B		MX-A3									

8

7

6

5

4

3

2

MX-A3

8

7

6

5

4

3

2

1

F

E

D

C

B

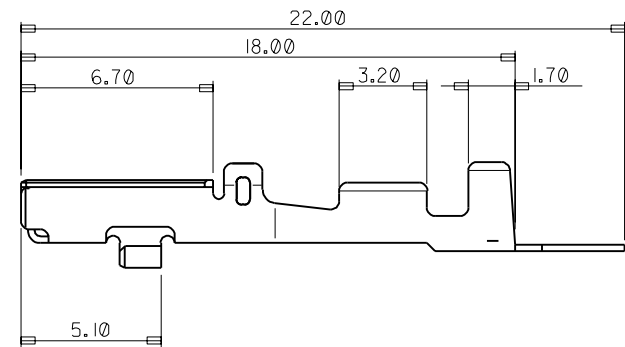
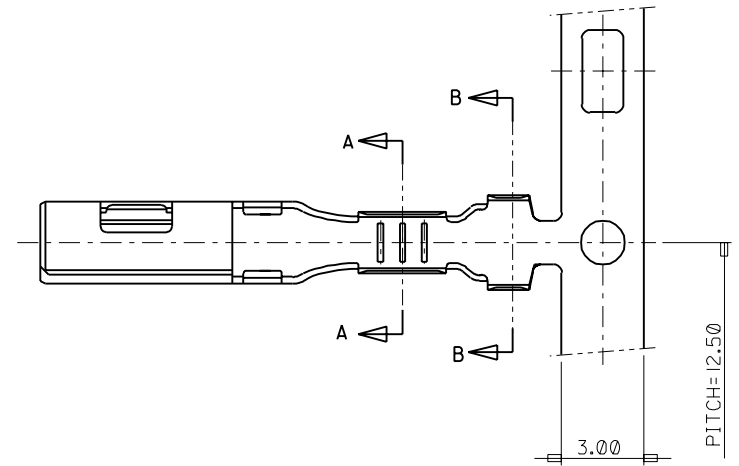
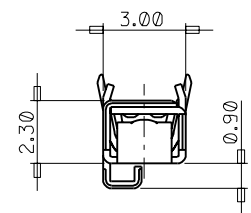
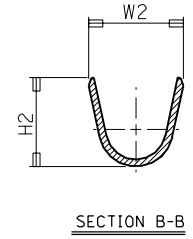
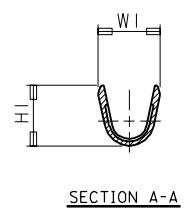
A

ENG. NO.

EDP NO.

SIMILAR ITEM

PROJECT NO.



ENG.NO	DESCRIPTION	DIMENSION				WIRE RANGE mm ²
		W1	H1	W2	H2	
35421-6702	UNICONN FEMALE TERMINAL (S)	2.1	2.2	3.4	3.25	AVS(CAVS) 0.3,0.5
35421-6802	UNICONN FEMALE TERMINAL (M)	2.6	2.95	4.0	3.8	AVS(CAVS) 0.5,0.85,1.25
35421-6902	UNICONN FEMALE TERMINAL (L)	3.6	4.0	4.3	3.9	AVSS 2f

				MATERIAL PRE-TIN PLATED COPPER ALLOY 0.25t		MOLEX-KOREA CO.,LTD.	
				GENERAL TOLERANCE DIMENSION : +0.30 ANGLE :		DRAWN BY Y.SIK,KIM	CHK'D BY
				DIMENSION CLASSIFICATION ▽ : CRITICAL ▼ : MAJOR () : REFERENCE		APP'D BY	SCALE 6:1
A	NEW RELEASE	KOR 97-0162	97.12.03	ASS'Y PART		TITLE : UNICONN FEMALE TERMINAL	
LTR	REVISION RECORD	ECN	DATE	DESCRIPTION ENG. NO.		SHEET 1/1	
REVISE ONLY ON CAD SYSTEM						ENG. NO. SD 35421-6*02 REV A	