

PLEASE CHECK WWW.MOLEX.COM FOR LATEST PART INFORMATION

Part Number: [0441670001](#)
Status: **Active**
Overview: [flat blade](#)
Description: Flat Blade Appliance Dryer Motor Crimp Housing, 10 Circuit, With Tool Removable Latch

Documents:

[3D Model](#) [RoHS Certificate of Compliance \(PDF\)](#)
[Drawing \(PDF\)](#)

Agency Certification

UL E29179

General

Product Family Crimp Housings
 Series [42865](#)
 Overview [flat blade](#)
 Product Name Flat Blade

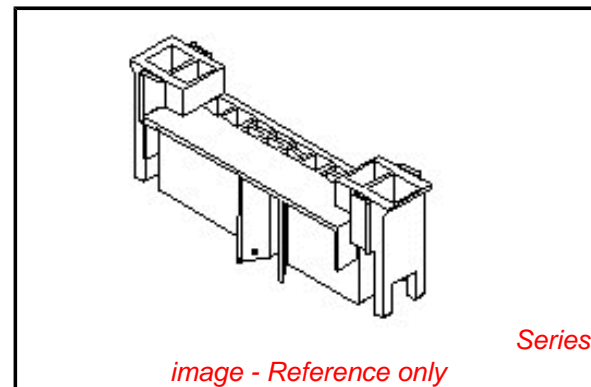
Physical

Circuits (maximum) 10
 Color - Resin Natural
 Flammability 94V-2
 Gender Female
 Glow-Wire Compliant No
 Keying to Mating Part Yes
 Lock to Mating Part Yes
 Material - Resin Nylon
 Number of Rows 1
 Packaging Type Bag
 Panel Mount No
 Pitch - Mating Interface (in) 0.220 In
 Pitch - Mating Interface (mm) 5.59 mm
 Polarized to Mating Part Yes
 Stackable No
 Temperature Range - Operating -40°C to +75°C

Material Info

Reference - Drawing Numbers

Packaging Specification PK-42865-001
 Sales Drawing SD-44167-001



EU RoHS

ELV and RoHS Compliant
REACH SVHC Contains SVHC: No
Halogen-Free Status

China RoHS



Need more information on product environmental compliance?

Email productcompliance@molex.com
 For a multiple part number RoHS Certificate of Compliance, [click here](#)

Please visit the [Contact Us](#) section for any non-product compliance questions.

Search Parts in this Series

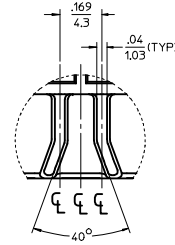
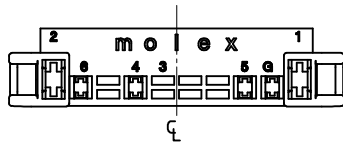
[42865Series](#)

Mates With

Dryer Motor

Use With

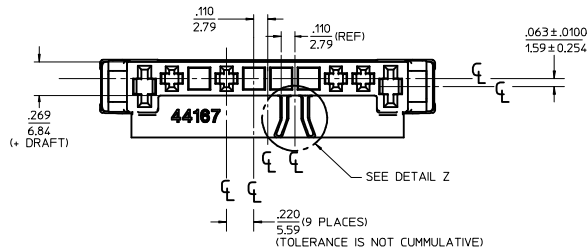
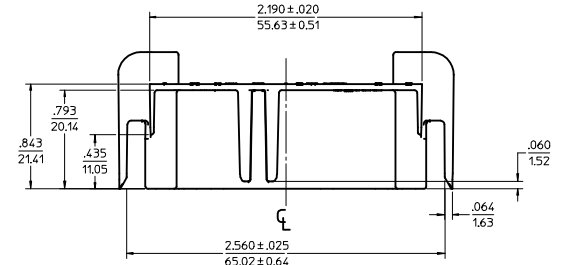
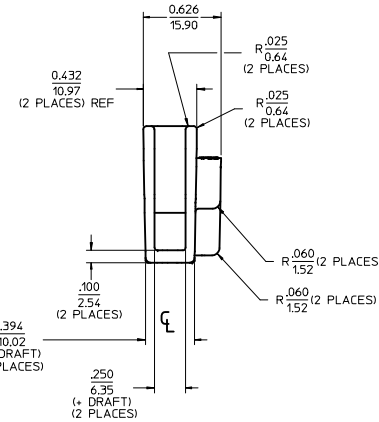
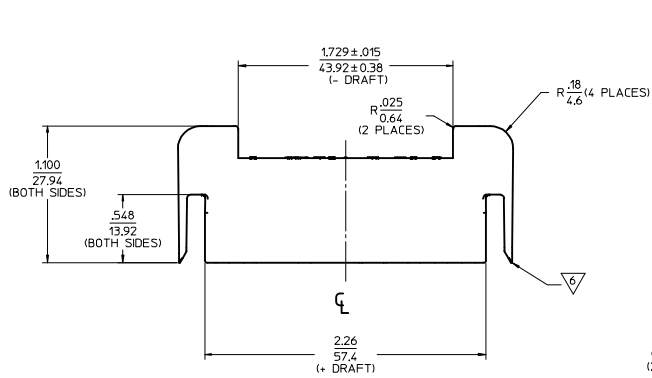
[1508 Crimp Terminals](#), [43374](#), [41422](#)



DETAIL Z
SCALE 4:1

NOTES

1. MATERIAL: NYLON, PA66, UL94V-2, COLOR: NATURAL
2. FINISH: NONE
3. PRODUCT SPECIFICATION: PSX-42865-0001, PSX-42865-0002 & PS-43374-001
4. PACKAGING SPECS: HOUSINGS ARE PACKED PER PK-42865-001.
5. THIS CONNECTOR HOUSING FOR USE WITH TERMINALS:
-.125/3.18 SPADE: 1508-* & 43374-***1 (4-PL MAX)
-.250/6.35 SPADE: 41422-3***5** (2-PL MAX)
6. THE OUTSIDE EDGES ASSOCIATED WITH THIS SURFACE TO HAVE .02/0.51 RADII.
7. PART CONFORMS TO CLASS B REQUIREMENTS OF COSMETIC SPEC PS-45499-002.



ADD NYLON & COLOR. NOTE #1 E8	QUALITY SYMBOLS -0 -0	GENERAL TOLERANCES (UNLESS SPECIFIED)		SCALE 1:1	DESIGN UNITS INCH	THIRD ANGLE PROJECTION	REVISE ON CAD ONLY	
				DIMENSION STYLE IN/MM		TITLE		
		4 PLACES ± --- ± ---		DRAWN BY TGREGORI		DATE 2003/03/27		HOUSING CONNECTOR 6 CKT., TOOL REM. LATCH DRYER MOTOR APPLICATION
		3 PLACES ± --- ± 0.010		CHECKED BY BWIRKUS		DATE 2003/03/27		
2 PLACES ± 0.25 ± 0.014		APPROVED BY BWIRKUS		DATE 2003/03/27		MATERIAL NO. 441670001 DOCUMENT NO. SD-44167-001		
1 PLACE ± 0.35 ± ---		ANGULAR ± 1/2°		SHEET NO. 1 OF 1				
DRAFT WHERE APPLICABLE MUST REMAIN WITHIN DIMENSIONS		THIS DRAWING CONTAINS INFORMATION THAT IS PROPRIETARY TO MOLEX INCORPORATED AND SHOULD NOT BE USED WITHOUT WRITTEN PERMISSION						