

PLEASE CHECK WWW.MOLEX.COM FOR LATEST PART INFORMATION

Part Number: [0476230001](#)
Status: **Active**
Overview: [displayport](#)
Description: 0.50mm (.020") Pitch DisplayPort* Sink Type Midplane Male Receptacle, Right Angle, SMT, 0.76µm (30µ") Gold (Au) Plating, 20 Circuits, with extended side-SMT Tabs, High Temperature version, Leadfree

Documents:

[3D Model](#) [Product Specification PS-47272-001 \(PDF\)](#)
[Drawing \(PDF\)](#) [RoHS Certificate of Compliance \(PDF\)](#)

General

Product Family	I/O Connectors
Series	47623
Application	Wire-to-Board
Component Type	Receptacle
Overview	displayport
Product Name	DisplayPort*
Type	N/A
Physical	
Boot Color	N/A
Circuits (Loaded)	20
Circuits (maximum)	20
Color - Resin	Black
Gender	Male
Keying to Mating Part	Yes
Lock to Mating Part	Yes
Material - Metal	Copper Alloy
Material - Plating Mating	Gold
Material - Plating Termination	Tin-Bismuth
Material - Resin	High Temperature Thermoplastic
Number of Rows	2
Orientation	Right Angle
PCB Locator	No
PCB Retention	Yes
PCB Thickness Recommended (in)	0.061 In
PCB Thickness Recommended (mm)	1.56 mm
Packaging Type	Embossed Tape on Reel
Panel Mount	Yes
Pitch - Mating Interface (in)	0.039 In
Pitch - Mating Interface (mm)	0.50 mm
Pitch - Term. Interface (in)	0.039 In
Pitch - Term. Interface (mm)	0.50 mm
Plating min: Mating (µin)	30
Plating min: Mating (µm)	0.76
Plating min: Termination (µin)	40
Plating min: Termination (µm)	1
Polarized to Mating Part	Yes
Polarized to PCB	Yes
Ports	1
Temperature Range - Operating	-20°C to +85°C
Termination Interface: Style	Surface Mount
Waterproof / Dustproof	No

Electrical

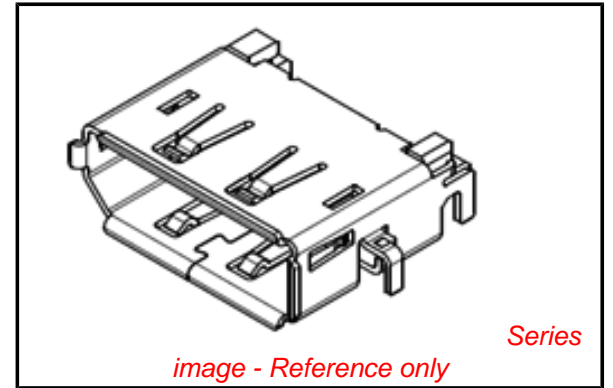


image - Reference only

EU RoHS

ELV and RoHS Compliant
REACH SVHC
 Not Reviewed
Halogen-Free Status

China RoHS



Need more information on product environmental compliance?

Email productcompliance@molex.com
 For a multiple part number RoHS Certificate of Compliance, [click here](#)

Please visit the [Contact Us](#) section for any non-product compliance questions.

Search Parts in this Series
[47623Series](#)

Current - Maximum per Contact	0.5A
Grounding to Panel	Yes
Shield Type	Full Shield
Shielded	Yes
Voltage - Maximum	40V AC

Solder Process Data

Duration at Max. Process Temperature (seconds)	3
Lead-free Process Capability	Reflow Capable (SMT only)
Max. Cycles at Max. Process Temperature	2
Process Temperature max. C	250

Material Info

Reference - Drawing Numbers

Packaging Specification	PK-47623-001
Product Specification	PS-47272-001
Sales Drawing	SD-47623-001

* DisplayPort is a Trademark of VESA

This document was generated on 05/25/2010

PLEASE CHECK WWW.MOLEX.COM FOR LATEST PART INFORMATION

NOTES:

1. MATERIAL:

HOUSING: HIGH TEMPERATURE THERMAL PLASTIC, BLACK, 30% GLASS FILLED, UL94V-0.

TERMINAL: COPPER ALLOY.

SHELL: COPPER ALLOY.

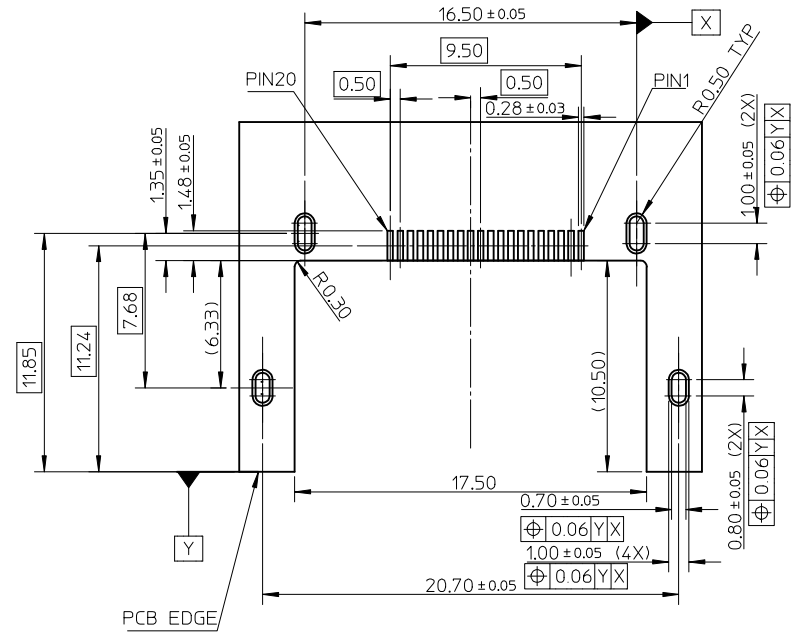
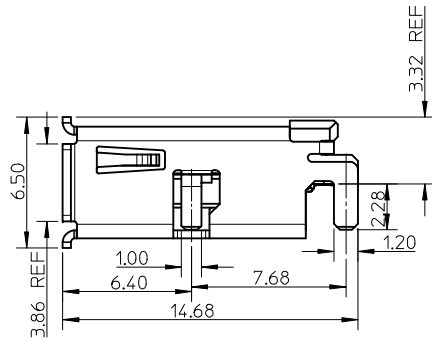
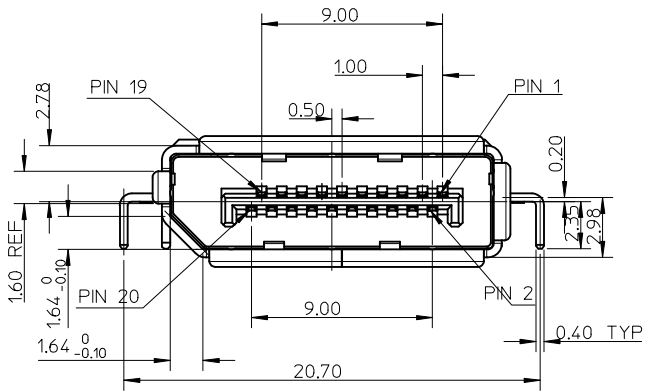
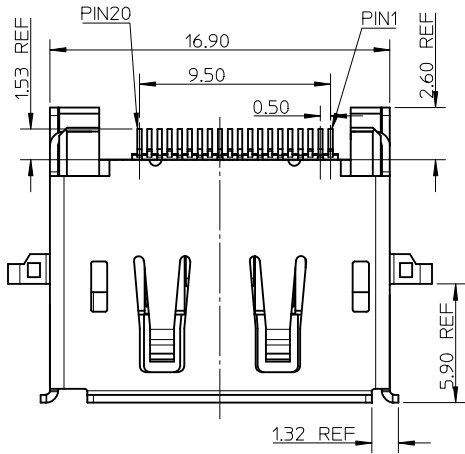
2. PLATING:

TERMINAL: CONTACT AREA 0.76 MICROMETER GOLD PLATING AND SOLDER TAIL 1~3 MICROMETER

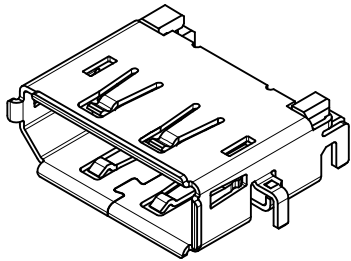
TIN BISMUTH UNDER PLATE 1~3 MICROMETER NICKEL PLATING OVERALL.

SHELL: 1.27~2.54 MICROMETER SOLDERABLE NICKEL PLATING OVERALL.

3. SOLDER TAIL COPLANARITY 0.10 MAX.



TOP VIEW



<p>NEW RELEASE</p> <p>EC NO: SH2009-0308</p> <p>DRWN: HHE 2008/11/18</p> <p>CHKD: RZHANG 2008/11/19</p> <p>APPR: HWANG 2008/11/25</p>	<p>DESCRIPTION</p> <p>REV</p>	<p>QUALITY SYMBOLS</p> <p>▽=0</p> <p>⊕=0</p>	<p>GENERAL TOLERANCES (UNLESS SPECIFIED)</p> <table border="1"> <tr> <td></td> <td>mm</td> <td>INCH</td> </tr> <tr> <td>4 PLACES</td> <td>± ---</td> <td>± ---</td> </tr> <tr> <td>3 PLACES</td> <td>± ---</td> <td>± ---</td> </tr> <tr> <td>2 PLACES</td> <td>± 0.25</td> <td>± ---</td> </tr> <tr> <td>1 PLACE</td> <td>± 0.25</td> <td>± ---</td> </tr> </table>		mm	INCH	4 PLACES	± ---	± ---	3 PLACES	± ---	± ---	2 PLACES	± 0.25	± ---	1 PLACE	± 0.25	± ---	<p>DIMENSION STYLE</p> <p>MM ONLY</p>	<p>SCALE</p> <p>1:1</p>	<p>DESIGN UNITS</p> <p>METRIC</p>	<p>THIRD ANGLE PROJECTION</p>
			mm	INCH																		
		4 PLACES	± ---	± ---																		
		3 PLACES	± ---	± ---																		
2 PLACES	± 0.25	± ---																				
1 PLACE	± 0.25	± ---																				
<p>DRAFT WHERE APPLICABLE MUST REMAIN WITHIN DIMENSIONS</p>			<p>DRAWN BY</p> <p>HHE</p>	<p>DATE</p> <p>2007/08/14</p>	<p>TITLE</p> <p>1.0MM MIDDLE PLANE DISPLAY PORT HEADER ASSEMBLY</p>																	
<p>ANGULAR ± 3 °</p>			<p>CHECKED BY</p> <p>RZHANG</p>	<p>DATE</p> <p>2007/08/14</p>	<p>MOLEX INCORPORATED</p>																	
<p>MATERIAL NO.</p> <p>47623-0001</p>			<p>APPROVED BY</p> <p>HWANG</p>	<p>DATE</p> <p>2007/08/14</p>	<p>DOCUMENT NO.</p> <p>SD-47623-001</p>	<p>SHEET NO.</p> <p>1 OF 1</p>																