

PLEASE CHECK WWW.MOLEX.COM FOR LATEST PART INFORMATION

Part Number: [0495972017](#)
Status: **Active**
Description: 1.25mm (.049") FPC/FFC Backflip Housing, 20 Circuits, Natural

Documents:

[3D Model](#) [Product Specification PS-49597-001 \(PDF\)](#)
[Drawing \(PDF\)](#) [RoHS Certificate of Compliance \(PDF\)](#)

Agency Certification

UL E29179

General

Product Family FFC/FPC Connectors
 Series [49597](#)
 Product Name BackFlip™

Physical

Circuits (Loaded) 20
 Circuits (maximum) 20
 Color - Resin Natural
 Contact Position Bottom
 Durability (mating cycles max) 250
 Entry Angle Side Entry
 Flammability 94V-0
 Material - Metal Copper Nickel
 Material - Plating Mating Tin
 Material - Plating Termination Copper
 Material - Resin Nylon
 Number of Rows 1
 Orientation Right Angle
 PCB Locator No
 PCB Retention None
 Packaging Type Embossed Tape on Reel
 Pitch - Mating Interface (in) 0.049 In
 Pitch - Mating Interface (mm) 1.25 mm
 Polarized to PCB No
 Stackable No
 Surface Mount Compatible (SMC) Yes
 Temperature Range - Operating N/A
 Termination Interface: Style IDT or Pierce
 Wire/Cable Type FFC/FPC

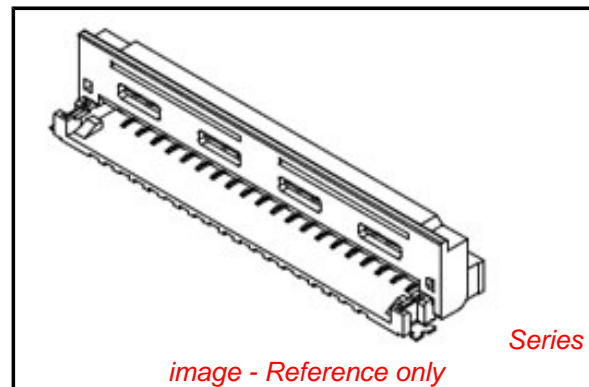
Electrical

Current - Maximum per Contact 1A
 Voltage - Maximum 300V

Material Info

Reference - Drawing Numbers

Product Specification PS-49597-001
 Sales Drawing SD-49597-001



EU RoHS

**ELV and RoHS
Compliant**

REACH SVHC

Not Reviewed

Halogen-Free

Status

Not Halogen-Free

China RoHS



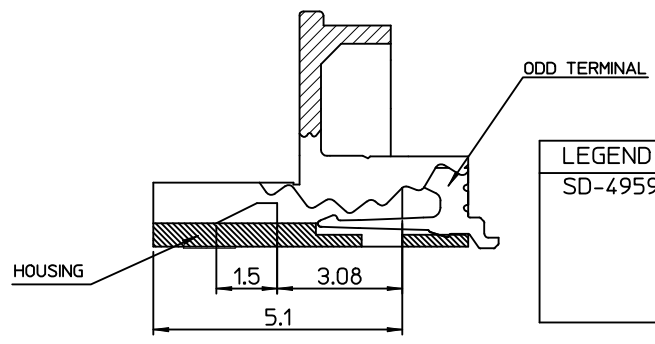
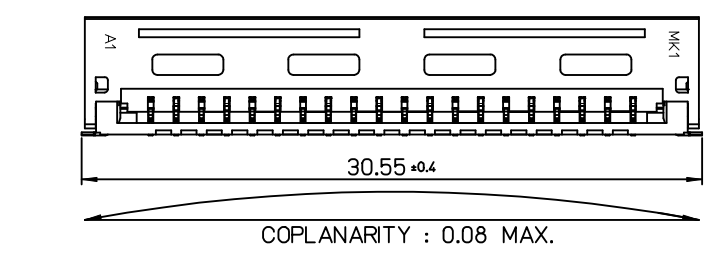
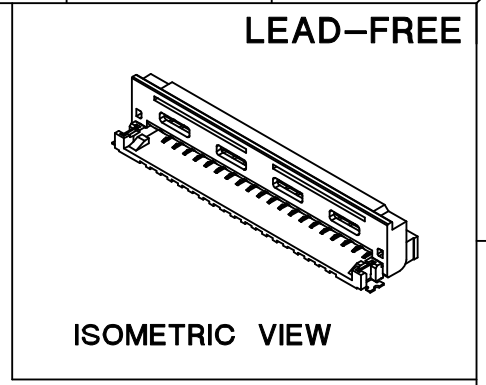
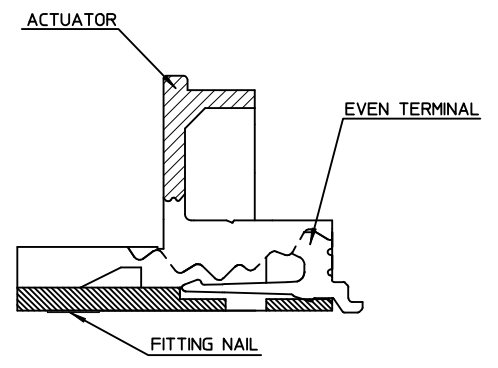
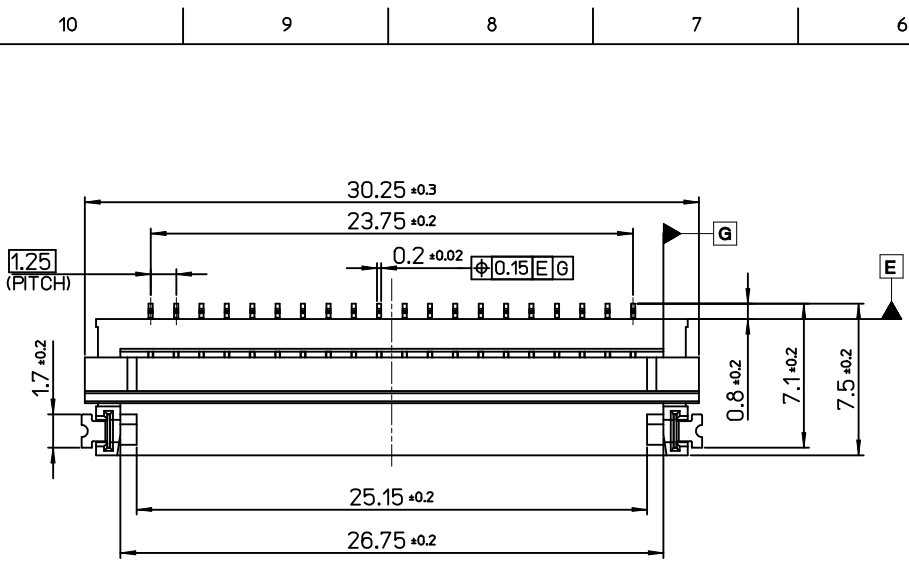
**Need more information on product
environmental compliance?**

Email productcompliance@molex.com
 For a multiple part number RoHS Certificate of
 Compliance, [click here](#)

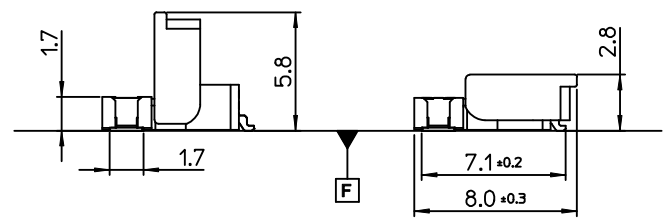
Please visit the [Contact Us](#) section for any
 non-product compliance questions.

Search Parts in this Series

[49597Series](#)



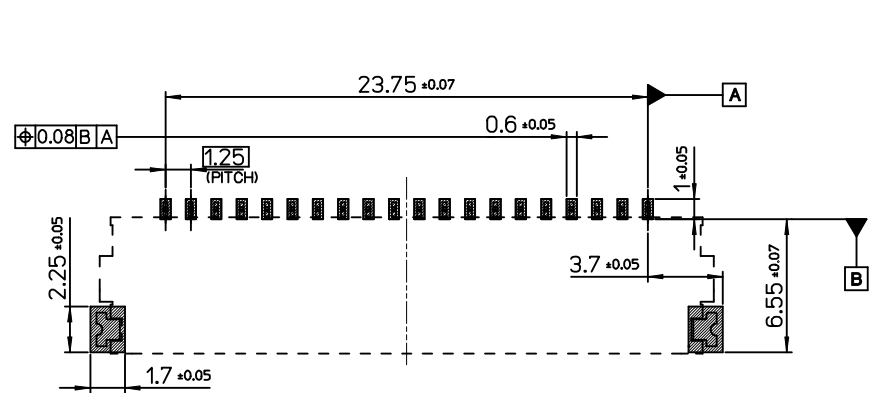
LEGEND	
SD-49597-20*7	COLOR
0	NATURAL
1	BLACK
3	NATURAL, HALOGEN FREE
4	BLACK, HALOGEN FREE



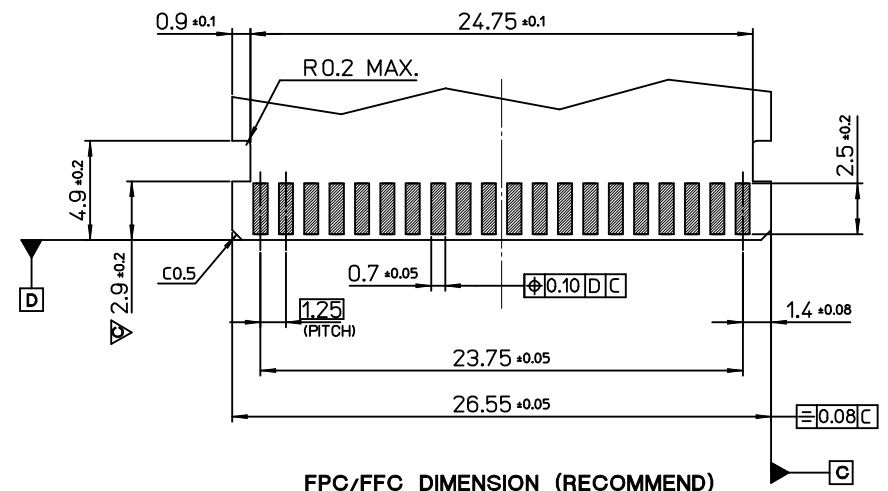
- NOTES**
- MATERIAL**
 - HOUSING : PA46 ,GLASS FILLED. UL94V-0, COLOR: BEIGE.
LCP, GLASS FILLED. UL94V-0, COLOR: NATURAL
 - ACTUATOR : LCP, GLASS FILLED. UL94V-0, COLOR: NATURAL, BLACK.
 - TERMINAL : COPPER ALLOY.
 - FITTING NAIL : COPPER ALLOY.
 - FINISHES**
 - TERMINAL : Tin[Sn] OVER NICKEL[Ni] PLATING.
 - FITTING NAIL : TIN[Sn] OVER NICKEL[Ni] PLATING.
 - PRODUCT SPECIFICATION** : PS-49597-001
 - PACKING SPECIFICATION** : PK-49597-001
 - ACTUATOR IS OPEN IN THE EMBOSSED PACKING**

REVISED EC NO: KOR2010-0012 DRWN: JHJEONG 2009/07/24 CHKD: YS00KIM 2009/07/24 APPR: YUNSIKIM 2009/07/24	DESCRIPTION REV	QUALITY SYMBOLS	GENERAL TOLERANCES (UNLESS SPECIFIED)		DIMENSION STYLE MM ONLY		SCALE 4:1	DESIGN UNITS METRIC	THIRD ANGLE PROJECTION	
		▽=0	mm	INCH	DRAWN BY JHLEE	DATE 2007/03/09	TITLE 1.25 FPC/FFC B/F CONN HOUSING ASS'Y 20P (BOTTOM CONTACT)	MOLEX INCORPORATED	DOCUMENT NO. SD-49597-001	SHEET NO. 1 OF 3
		▽=0	4 PLACES ± --- ± ---	3 PLACES ± --- ± ---	CHECKED BY KSKIM	DATE 2007/03/09				
			2 PLACES ± 0.2 ± ---	1 PLACE ± 0.25 ± ---	APPROVED BY YS00KIM	DATE 2007/03/09				
DRAFT WHERE APPLICABLE MUST REMAIN WITHIN DIMENSIONS			ANGULAR ± 1 °		MATERIAL NO. SEE TABLE					

LEAD-FREE

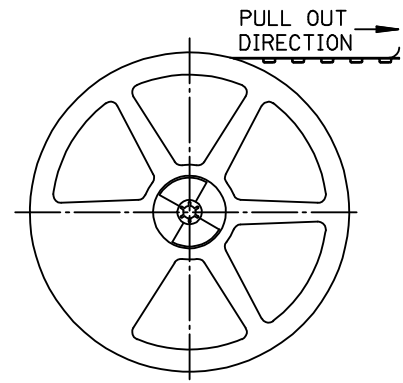
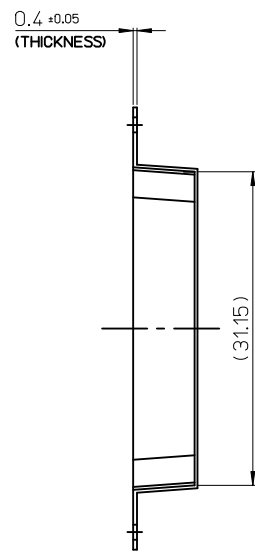
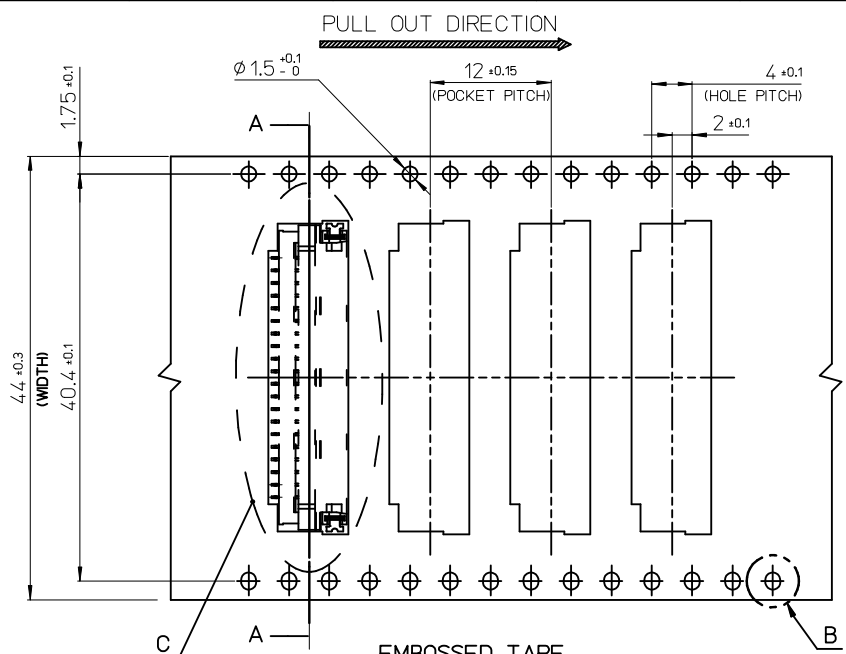


P.C. BOARD DIMENSION (RECOMMEND)



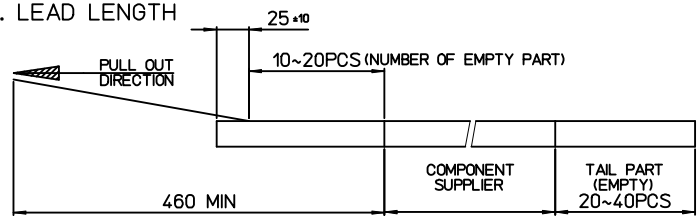
FPC/FFC DIMENSION (RECOMMEND)
(FLIM THICKNESS = 0.3±0.05)

REVISED EC NO: KOR2010-0012 DRWN: JHJ CHKD: YS APPR: YS 2009/07/24 2009/07/24 2009/07/24	QUALITY SYMBOLS ▽=0 ▽=0	GENERAL TOLERANCES (UNLESS SPECIFIED)		DIMENSION STYLE MM ONLY		SCALE 4:1	DESIGN UNITS METRIC	THIRD ANGLE PROJECTION		
			mm	INCH	DRAWN BY JHLEE	DATE 2007/03/09	TITLE 1.25 FPC/FFC B/F HOUSING ASS'Y 20P (BOTTOM CONTACT)			
		4 PLACES	± ---	± ---	CHECKED BY KSKIM	DATE 2007/03/09				
		3 PLACES	± ---	± ---	APPROVED BY YSOOKIM	DATE 2007/03/09	MOLEX INCORPORATED			
2 PLACES	± 0.2	± ---	MATERIAL NO. SEE TABLE	DOCUMENT NO. SD-49597-001	SHEET NO. 2 OF 3					
1 PLACE	± 0.25	± ---	DRAFT WHERE APPLICABLE MUST REMAIN WITHIN DIMENSIONS		THIS DRAWING CONTAINS INFORMATION THAT IS PROPRIETARY TO MOLEX INCORPORATED AND SHOULD NOT BE USED WITHOUT WRITTEN PERMISSION					
ANGULAR ± 1 °										

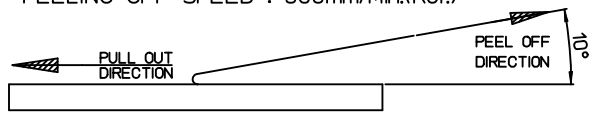


PLASTIC BOBBIN

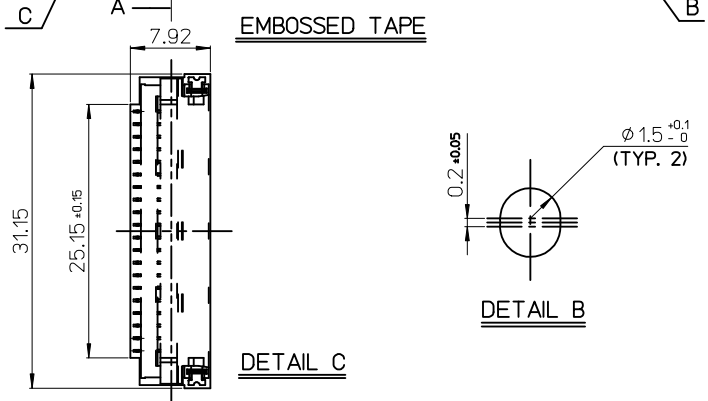
- NOTES
 1. QUANTITY OF CONNECTORS : 1200PCS/REEL
 2. LEAD LENGTH



3. PEELING OFF FORCE OF COVER TAPE : 0.1N~0.59N(10.2GF~60GF)
 (PEELING DIRECTION AS SHOW IN FOLLOW FIG.)
 PEELING OFF SPEED : 300mm/Min.(Ref.)



4. FLASH IN ANY PORTION SHOULD BE LESS THAN 0.20mm MAX.



HALOGEN FREE	495972047	495972040	49597-9920	44mm	BLACK
	495972037	495972030			NATURAL
NON-HF	495972017	495972010			BLACK
	495972007	495972000			NATURAL
TYPE	MATERIAL NO.	CONNECTOR	EMBOSS TAPE	TAPE WIDTH	COLOR
3	PLASTIC BOBBIN		HI P.S	WHITE	
2	COVER TAPE		P.E.T	37.5mm	
1	CARRIER (EMBOSS) TAPE		P.E.T		
NO.	DESCRIPTION		MATERIAL	REMARK	

REVISED
 EC NO: KOR2010-0012
 DRWN: HJEONG 2009/07/24
 CHKD: YSOOKIM 2009/07/24
 APPR: YUNSIKKIM 2009/07/24

QUALITY SYMBOLS	▽=0	GENERAL TOLERANCES (UNLESS SPECIFIED)	mm	INCH
	∇=0		4 PLACES ± --- ± ---	3 PLACES ± --- ± ---
		ANGULAR ± 1 °		
DRAFT WHERE APPLICABLE MUST REMAIN WITHIN DIMENSIONS				

DIMENSION STYLE MM ONLY		SCALE 1:1	DESIGN UNITS METRIC	THIRD ANGLE PROJECTION
DRAWN BY JHLEE	DATE 2007/03/09	TITLE 1.25 FPC/FFC B/F CONN HOUSING ASS'Y 20P (BOTTOM CONTACT)		
CHECKED BY KSKIM	DATE 2007/03/09	MOLEX INCORPORATED		
APPROVED BY YSOOKIM	DATE 2007/03/09	MATERIAL NO. SEE TABLE	DOCUMENT NO. SD-49597-001	SHEET NO. 3 OF 3
THIS DRAWING CONTAINS INFORMATION THAT IS PROPRIETARY TO MOLEX INCORPORATED AND SHOULD NOT BE USED WITHOUT WRITTEN PERMISSION				