

**PLEASE CHECK WWW.MOLEX.COM FOR LATEST PART INFORMATION**

**Part Number:** [0545614001](#)  
**Status:** **Active**  
**Overview:** [qf50](#)  
**Description:** 2.54mm (.100") Pitch QF-50™ Flat Cable Strain Relief, 40 Circuits

**Documents:**

[Drawing \(PDF\)](#) [Product Specification PS-54559-005 \(PDF\)](#)  
[Product Specification PS-54559-004 \(PDF\)](#) [RoHS Certificate of Compliance \(PDF\)](#)

**General**

Product Family	Accessories
Series	<a href="#">54561</a>
Application Tooling Part Link	572525100
Component Type	Strain Relief
Overview	<a href="#">qf50</a>
Product Name	QF-50™

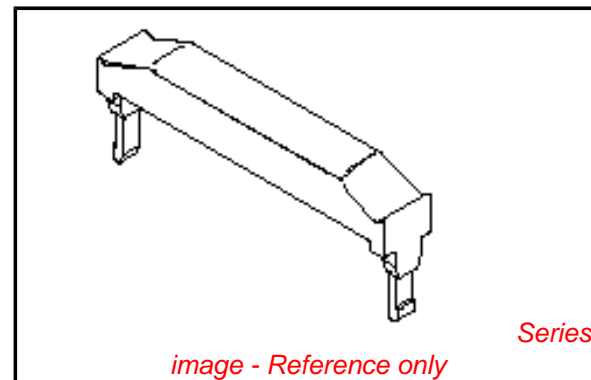
**Physical**

Circuits (Loaded)	40
Gender	N/A
Packaging Type	Tray
Temperature Range - Operating	-40°C to +85°C

**Material Info**

**Reference - Drawing Numbers**

Product Specification	PS-54559-004, PS-54559-005, RPS-54559-008, RPS-54559-010, RPS-54559-012, RPS-54559-013, RPS-54559-014, RPS-54559-015, RPS-54559-016, RPS-54559-017
Sales Drawing	SD-54561-002



*image - Reference only*

**EU RoHS**

**ELV and RoHS  
Compliant**  
**REACH SVHC  
Contains SVHC: No**  
**Halogen-Free  
Status  
Not Reviewed**

**China RoHS**



**Need more information on product  
environmental compliance?**

Email [productcompliance@molex.com](mailto:productcompliance@molex.com)  
 For a multiple part number RoHS Certificate of  
 Compliance, [click here](#)

Please visit the [Contact Us](#) section for any  
 non-product compliance questions.

**Search Parts in this Series**

[54561Series](#)

**Use With**

[54560](#) Upper Housing, [54559](#) Receptacle  
 Housing

**Application Tooling | FAQ**

*Tooling specifications and manuals are  
 found by selecting the products below.  
 Crimp Height Specifications are then  
 contained in the Application Tooling  
 Specification document.*

**Japan**

Description	Product #
Clamp Tool For MIL IDT Connector	<a href="#">0572525100</a>

10 9 8 7 6 5 4 3 2 1

F

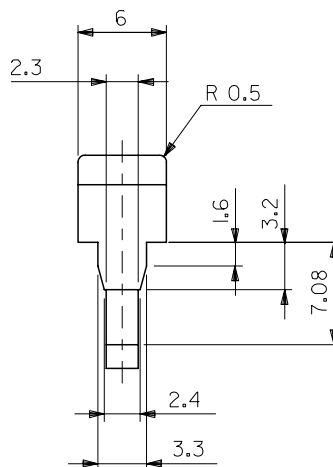
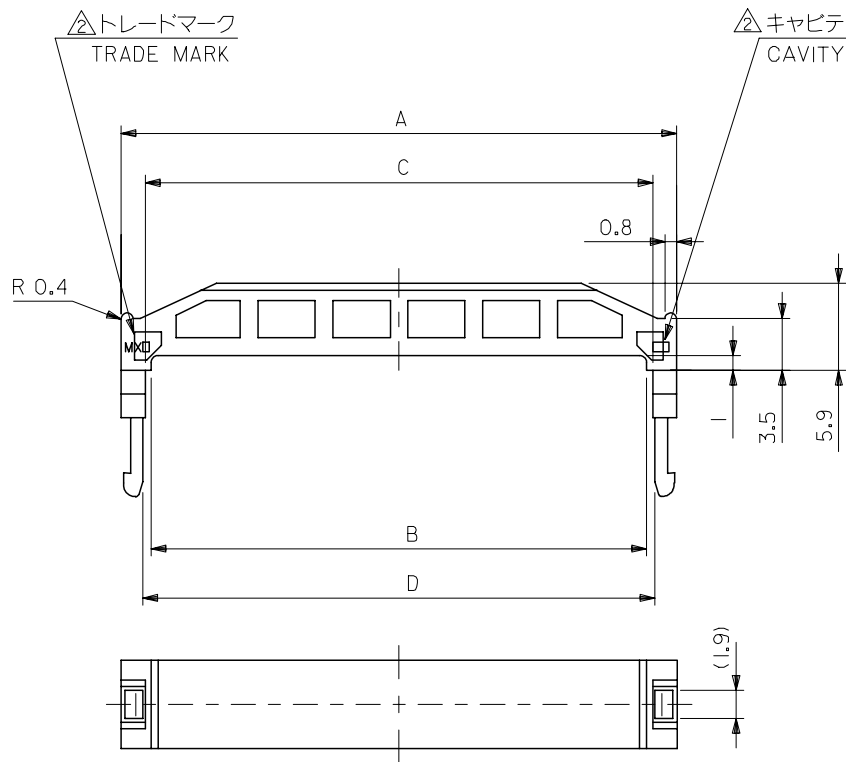
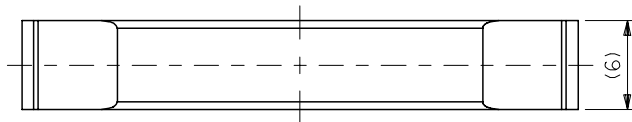
E

D

C

B

A



注記  
NOTES

- 1. 適合ハウジングアッセンブリ : 54559-\*\*1I, 54559-\*\*\*4I  
 APPLICABLE UPPER HSG ASS'Y : 54559-\*\*1I, 54559-\*\*\*4I  
 適合アッパーハウジング : 54560-\*\*0I  
 APPLICABLE STRAIN RELIEF : 54560-\*\*0I

△トレードマーク : MX プラス 製造工場を示すアルファベットにて構成  
 但し、\* J \* は JAPAN を示す。(例 MX J)  
 キャビティ番号 : 数字で表示。  
 金型番号 : アルファベットにて構成。

FORMED BY MX AND ALPHABET WHICH MEAN  
 THE MANUFACTORY, BUT "J" MEANS JAPAN. (TO TRADE MARK)  
 (e.g. MXJ)  
 AND BY NUMBERS (TO CAVITY NO.)  
 AND BY ALPHABET (TO MOLD NO.)

82.9I	82.6I	81.8I	85.85	5456I-640I	64
77.83	77.53	76.73	80.77	5456I-600I	60
65.13	64.83	64.03	68.07	5456I-500I	50
52.43	52.13	51.33	55.37	5456I-400I	40
44.8I	44.5I	43.7I	47.75	5456I-340I	34
39.73	39.43	38.63	42.67	5456I-300I	30
34.65	34.05	33.55	37.59	5456I-260I	26
27.03	26.73	25.93	29.97	5456I-200I	20
21.95	21.65	20.85	24.89	5456I-160I	16
19.4I	19.1I	18.3I	22.35	5456I-140I	14
14.33	14.03	13.23	17.27	5456I-100I	10
D	C	B	A	MATERIAL NO.	CKT.

材料 MATERIAL	PBT , UL94V-0 (黒色) (COLOR BLACK)
仕上げ FINISH	— # —
適用電線範囲 WIRE RANGE	— # —
被覆外径 INS. RANGE	— # —

REVISED	EC NO: J2007-2853	2007/04/13
DRW:MNABE	CHKD:YMAEDA	APPR:NUKITA
DESCRIPTION		
REV	J	

GENERAL TOLERANCES (UNLESS SPECIFIED)	
10 UNDER	± 0.2
10 OVER 30 UNDER	± 0.25
30 OVER	± 0.3
ANGULAR	± 3 °
DRAFT WHERE APPLICABLE MUST REMAIN WITHIN DIMENSIONS	

DIMENSION STYLE MM ONLY	
DRAWN BY	DATE
CHECKED BY	DATE
APPROVED BY	DATE
MATERIAL NO.	
SIZE A3	

SCALE 3:1	DESIGN UNITS METRIC	THIRD ANGLE PROJECTION
MODEL NO. 5456I-**0I		
TITLE 2.54 FLAT CABLE CONN REC STRAIN RELIEF		
MOLEX MOLEX INCORPORATED		
DOCUMENT NO. SD-54561-002	SHEET NO. 1 OF 1	
THIS DRAWING CONTAINS INFORMATION THAT IS PROPRIETARY TO MOLEX INCORPORATED AND SHOULD NOT BE USED WITHOUT WRITTEN PERMISSION		