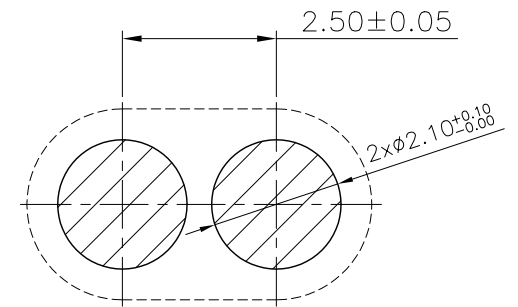


Recommended P.C.B Layout
(Component Side)



2	Terminal	Brass		Gold water flash
1	Housing	NY-6T	Black	UL 94V-0
NO.	DESCRIPTION	MATERIAL	COLOR	REMARK

SUYIN
CONNECTOR

CUSTOMER COPY TITLE: 2.5mm Pitch 2 Probe Pin Battery (H:8.80mm)

PART NO.	250009MA002G200ZL
PART NO. (OLD)	
DRAWING NO.	D ING 250009MA002G200ZL
SCALE	8:1
UNIT	mm
A4	☐

ECN (DCN) NO.	REV	DATE	DESCRIPTION	CHANGE	APPRO.	GENERAL TOLERANCE UNLESS OTHERWISE NOTED	APPRO.	廖宏昌	03/07/02'
	B		B-1:8.80->8.80±0.10			Angle ±2°	DRAW	周孫宇	03/07/02'
	A	03/28/02'	A-1:L.C.P->NY-6T	周孫宇	宋權哲	30 ~ ±0.50	DESIGN	周孫宇	03/07/02'
	O	03/11/02'	NEW			10 ~ 30 ±0.30	CHECK	廖宏昌	03/07/02'
						~ 10 ±0.15	APPRO.	廖宏昌	03/07/02'