

PLEASE CHECK WWW.MOLEX.COM FOR LATEST PART INFORMATION

Part Number: [0399100104](#)
Status: **Active**
Description: 10.16mm (.400") Beau™ Eurostyle™, Fixed Mount PCB Terminal Block, High Voltage, High Power 60A, 4 Circuits

Documents:

[3D Model](#) [RoHS Certificate of Compliance \(PDF\)](#)
[Drawing \(PDF\)](#)

Agency Certification

UL E48521

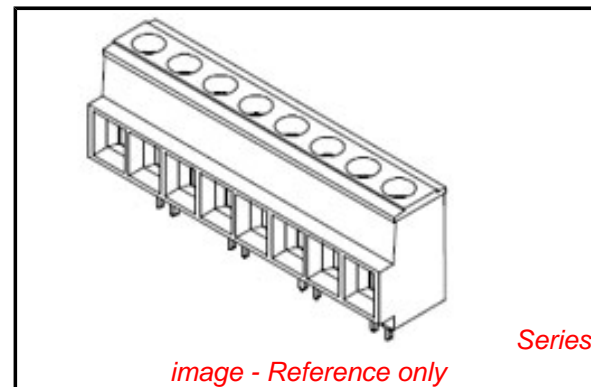
General

Product Family	Terminal Blocks
Series	39910
Application	Wire-to-Board
Component Type	One Piece
Product Literature Order No	USA-199
Product Name	Eurostyle™ Fixed Mount
Type	Euro Block

Physical

Circuits (Loaded)	4
Circuits (maximum)	4
Color - Resin	Black
Entry Angle	Horizontal
Flammability	94V-0
Lock to Mating Part	None
Material - Metal	Copper
Material - Plating Mating	Tin
Material - Plating Termination	Tin
Material - Resin	Polyester
Number of Rows	1
Orientation	Vertical
PC Tail Length (in)	0.160 In
PC Tail Length (mm)	4.10 mm
PCB Retention	None
Panel Mount	No
Pitch - Mating Interface (in)	0.400 In
Pitch - Mating Interface (mm)	10.16 mm
Pitch - Term. Interface (in)	0.400 In
Pitch - Term. Interface (mm)	10.16 mm
Plating min: Mating (µin)	150
Plating min: Mating (µm)	3.75
Plating min: Termination (µin)	150
Plating min: Termination (µm)	3.75
Polarized to Mating Part	Yes
Shrouded	Fully
Stackable	No
Surface Mount Compatible (SMC)	No
Temperature Range - Operating	130°C
Termination Interface: Style	Through Hole
Wire Size AWG	10, 12, 14, 16, 18, 6, 8
Wire Size mm²	0.75 - 10.0

Electrical



EU RoHS

RoHS Compliant by Exemption
REACH SVHC
Contains SVHC: No
Halogen-Free
Status
Not Reviewed

China RoHS



Need more information on product environmental compliance?

Email productcompliance@molex.com
 For a multiple part number RoHS Certificate of Compliance, [click here](#)

Please visit the [Contact Us](#) section for any non-product compliance questions.

Search Parts in this Series

[39910Series](#)

Mates With

N/A

Current - Maximum per Contact
Voltage - Maximum

60A
600V

Solder Process Data

Lead-free Process Capability

Wave Capable (TH only)

Material Info

Old Part Number

910504

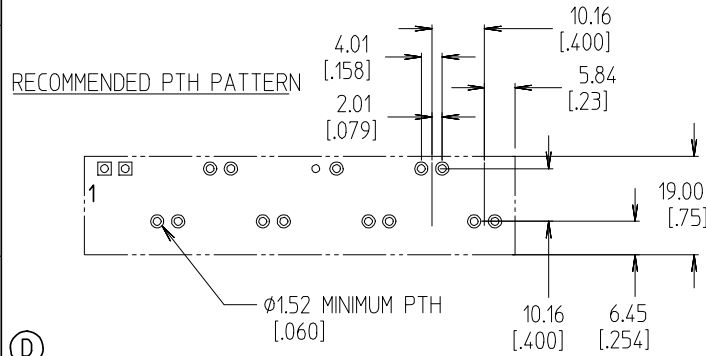
Reference - Drawing Numbers

Sales Drawing

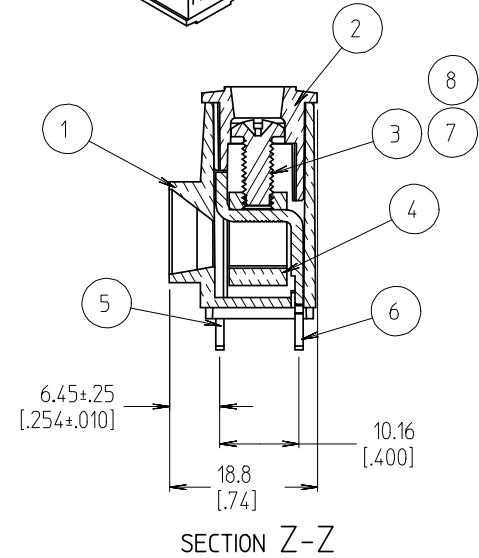
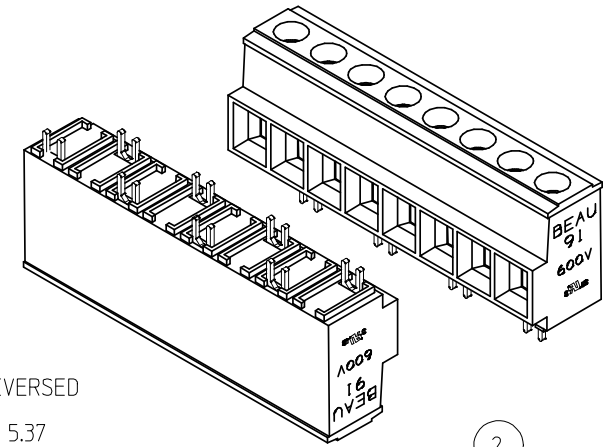
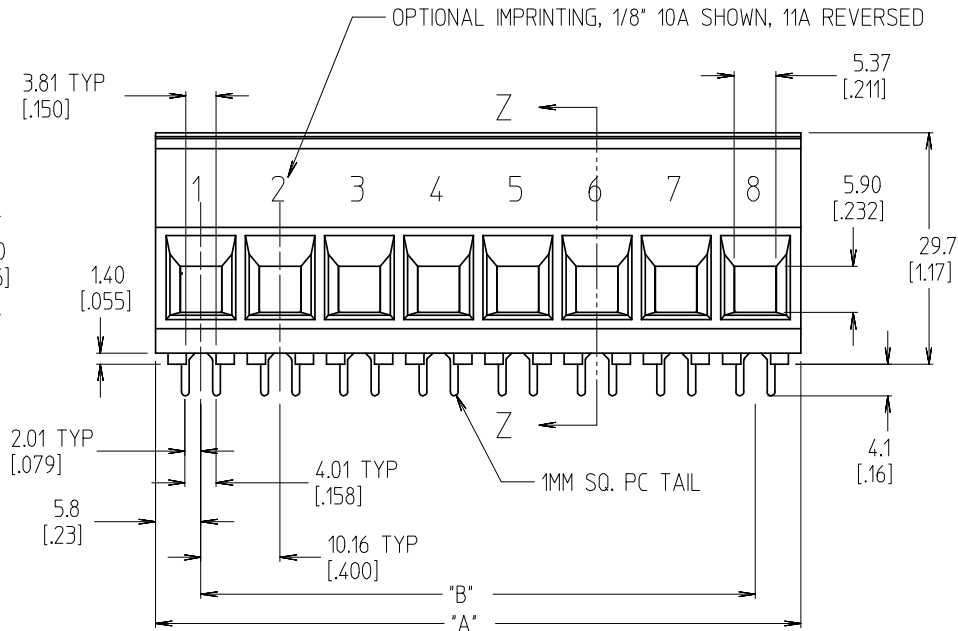
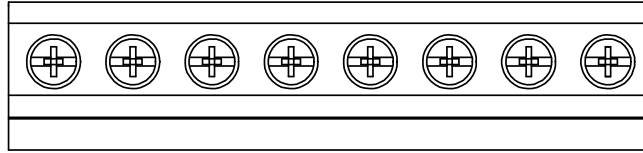
SD-39910-001

This document was generated on 05/20/2010

PLEASE CHECK WWW.MOLEX.COM FOR LATEST PART INFORMATION



- NOTES:
1. MATERIAL: SEE TABLE
 2. FINISHES: SEE TABLE
 3. PART IS DESIGNED TO MEET UL 1059 CLASS C 600V, 60A
 4. STAGGERED PC TAIL POSITION ON ALTERNATE CIRCUITS
 5. "XX" REFERS TO NUMBER OF CIRCUITS
 6. FOR OPTIONAL IMPRINTING, REFER TO SD-38120-005.
 7. ALL COMPONENTS ARE ROHS COMPLIANT BY EXEMPTION.



8	XX	SCREW, M4 X 0.7 POZI-SLOT (D)	ST. STEEL	PASSIVATED
7	XX	SCREW, M4 X 0.7 SLOTTED	BRONZE	TIN
6	A/R	REAR TERMINAL	COPPER	TIN
5	A/R	FRONT TERMINAL	COPPER	TIN
4	XX	CAGE	BRASS	NICKEL
3	XX	SCREW, M4 X 0.7 POZI-SLOT	BRONZE	TIN
2	1	COVER	THERMOPLASTIC	BLACK
1	1	BODY	THERMOPLASTIC	BLACK
ITEM	QTY.	DESCRIPTION	MATERIAL	FINISH

ADD MATERIAL NO. EC NO: ETC2007-0061 DRAWN: CYORK 2006/08/30 CHKD: MACNEIL 2006/08/30 APPR: MACNEIL 2006/08/31	QUALITY SYMBOLS
	▽=0
	▽=0
	DESCRIPTION
REV	

GENERAL TOLERANCES (UNLESS SPECIFIED)	
	mm INCH
4 PLACES	± --- ± ---
3 PLACES	± --- ± .005
2 PLACES	± 0.13 ± .01
1 PLACE	± 0.3 ± ---
ANGULAR ± 2 °	
DRAFT WHERE APPLICABLE MUST REMAIN WITHIN DIMENSIONS	

DIMENSION STYLE	
MM/IN	
DRAWN BY	DATE
GHR	2000/09/13
CHECKED BY	DATE
R. KEMP	2002/09/13
APPROVED BY	DATE
L. ROTHHAUS	2002/09/27
MATERIAL NO.	
SEE SHT. 2	
SIZE	B

SCALE	DESIGN UNITS	THIRD ANGLE PROJECTION
3:2	INCH	
TITLE		
SR BTS 6 AWG, 600V 60A		
MOLEX INCORPORATED		
DOCUMENT NO.	SHEET NO.	
SD-39910-001	1 OF 2	
THIS DRAWING CONTAINS INFORMATION THAT IS PROPRIETARY TO MOLEX INCORPORATED AND SHOULD NOT BE USED WITHOUT WRITTEN PERMISSION		

NO. OF CIRCUITS	DIM. "A"		DIM. "B"		MATERIAL NUMBER						
	mm	in	mm	in	STANDARD	OPTIONAL 10A IMPRINT	OPTIONAL 11A IMPRINT	OPTIONAL SLOTTED SCREW	OPTIONAL SLOTTED SCREW W/10A IMPRINT	OPTIONAL SLOTTED SCREW W/11A IMPRINT	OPTIONAL STAINLESS STEEL SCREW
	02	21.8	0.86	10.16	0.400	399100102	399120102	399130102	399100402	399120402	399130402
03	32.0	1.26	20.32	0.800	399100103	399120103	399130103	399100403	399120403	399130403	399100703
04	42.2	1.66	30.48	1.200	399100104	399120104	399130104	399100404	399120404	399130404	399100704
05	52.3	2.06	40.64	1.600	399100105	399120105	399130105	399100405	399120405	399130405	399100705
06	62.5	2.46	50.80	2.000	399100106	399120106	399130106	399100406	399120406	399130406	399100706
07	72.6	2.86	60.96	2.400	399100107	399120107	399130107	399100407	399120407	399130407	399100707
08	82.8	3.26	71.12	2.800	399100108	399120108	399130108	399100408	399120408	399130408	399100708
09	93.0	3.66	81.28	3.200	399100109	399120109	399130109	399100409	399120409	399130409	399100709
10	103.1	4.06	91.44	3.600	399100110	399120110	399130110	399100410	399120410	399130410	399100710
11	113.3	4.46	101.60	4.000	399100111	399120111	399130111	399100411	399120411	399130411	399100711
12	123.4	4.86	111.76	4.400	399100112	399120112	399130112	399100412	399120412	399130412	399100712
13	133.6	5.26	121.92	4.800	399100113	399120113	399130113	399100413	399120413	399130413	399100713
14	143.8	5.66	132.08	5.200	399100114	399120114	399130114	399100414	399120414	399130414	399100714

Ⓟ

SEE SHEET 1 EEC NO: ETC2007-0061 DRAWN: CYORK 2006/08/30 CHKD: MACNEIL 2006/08/30 APPR: MACNEIL 2006/08/31	DESCRIPTION REV	QUALITY SYMBOLS	GENERAL TOLERANCES (UNLESS SPECIFIED)	DIMENSION STYLE	SCALE	DESIGN UNITS	THIRD ANGLE PROJECTION	
		▽=0 ▽=0	mm INCH 4 PLACES ± --- ± --- 3 PLACES ± --- ± .005 2 PLACES ± 0.13 ± .01 1 PLACE ± 0.3 ± --- ANGULAR ± 2 °	MM/IN	3:2	INCH	DRAWN BY DATE GHR 2000/09/13 CHECKED BY DATE R. KEMP 2002/09/13 APPROVED BY DATE L. ROTHHAUS 2002/09/27	TITLE
			DRAFT WHERE APPLICABLE MUST REMAIN WITHIN DIMENSIONS	SEE CHART	MOLEX INCORPORATED	SR BTS 6 AWG, 600V 60A		
				THIS DRAWING CONTAINS INFORMATION THAT IS PROPRIETARY TO MOLEX INCORPORATED AND SHOULD NOT BE USED WITHOUT WRITTEN PERMISSION	DOCUMENT NO. SD-39910-001	SHEET NO. 2 OF 2		