



Sitronix

ST7549T

68 x 102 Dot Matrix LCD Controller/Driver

1. INTRODUCTION

The ST7549T is a driver & controller LSI for graphic dot-matrix liquid crystal display systems. It contains 102 segment and 67 common with 1 ICON driver circuits. This chip is connected directly to a microprocessor, accepts 3-line or 4-line serial peripheral interface (SPI), I2C interface or 8-bit parallel interface, display data can stores in an on-chip display data RAM of 68 x 102 bits. It performs display data RAM read/write operation with no external operating clock to minimize power consumption. In addition, because it contains power supply circuits to drive liquid crystal, it is possible to make a display system with the fewest components.

2. FEATURES

Single-chip LCD controller & driver

Driver Output Circuits

102 segment / 67 common+1 ICON common (1/68 duty)

102 segment / 32 common+1 ICON common (1/33 duty)

102 segment / 16 common+1 ICON common (1/17 duty)
(1/33 duty and 1/17 duty are under partial screen mode)

On-chip Display Data Ram

- Capacity: 68X102=6,936 bits

Microprocessor Interface

- 8-bit parallel bi-directional interface with 6800-series or 8080-series
- 4-line SPI (serial peripheral interface) available (only write operation)
- 3-line SPI (serial peripheral interface) available
- I²C (Inter-Integrated Circuit) Interface

On-chip Low Power Analog Circuit

- Generation of LCD supply voltage (externally V_{OUT}

voltage supply is possible)

- Generation of intermediate LCD bias voltages
- Oscillator without external components (external clock also possible)
- Voltage Booster (X2,X3,X4,X5)
- Voltage Regulator (temperature gradient -0.11%/°C)
- Voltage Follower
- On-chip electronic contrast control function (255 steps)

External RESB (reset) pin

Supply voltage range

- VDD1 -VSS : 1.7 to 3.3V
- VDD2 -VSS : 2.4 to 3.3V
- VOUT -VSS : 13.5V (Max.)

Temperature range: -30 to +85 degree

Package Type: COG

ST7549T-G2	6800, 8080, 4-Line, 3-Line interface (without I ² C interface)	
ST7549Ti-G2	I ² C interface	

3. ST7549T-G2 Pad Arrangement (COG)

Chip Size: 8,200 um × 1020 um

Bump Pitch:

PAD NO 1 ~ 11 , 12 ~ 147 , 207 ~ 230 : 55 um ; PAD NO 11 ~ 12 : 56 um ;

PAD NO 148 ~ 216 : max : 175 um , min : 72 um

Bump Size:

PAD NO 188 ~ 193 : 45 (x)um × 60 (y) um ;

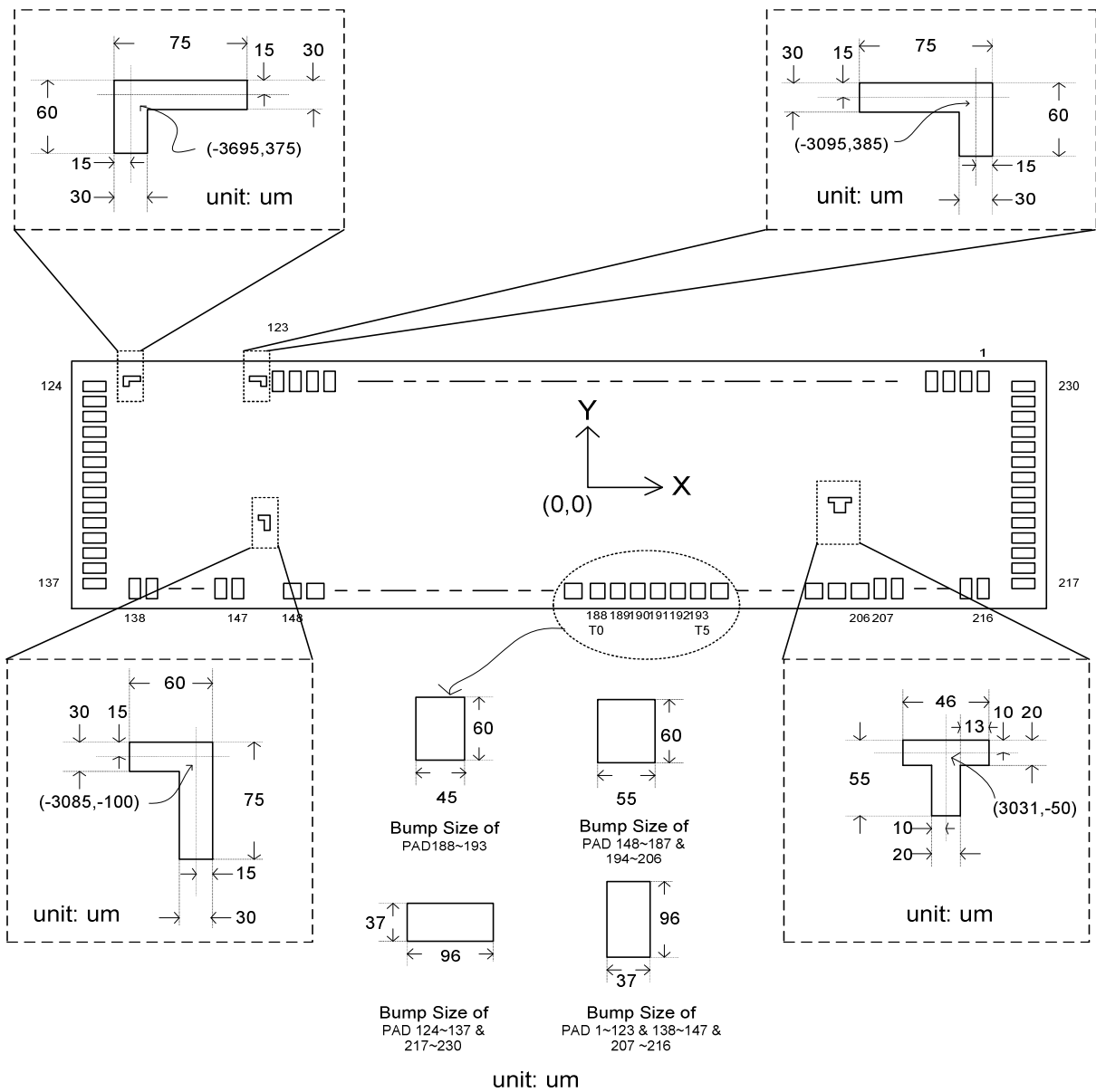
PAD NO 148 ~ 187 , 194 ~ 206 : 55 (x) um × 60 (y) um ;

PAD NO 124 ~ 137 , 217 ~ 230: 96 (x) um × 37 (y) um ;

PAD NO 1 ~ 123 , 138 ~ 147 , 207 ~ 216 : 37 (x) um × 96 (y) um ;

Bump Height: 17 um

Chip Thickness: 480 um



Pad Center Coordinates(68 Duty)

PAD NO.	PIN Name	X	Y
1	COM[43]	3677	371
2	COM[42]	3622	371
3	COM[41]	3567	371
4	COM[40]	3512	371
5	COM[39]	3457	371
6	COM[38]	3402	371
7	COM[37]	3347	371
8	COM[36]	3292	371
9	COM[35]	3237	371
10	COM[34]	3182	371
11	COM[33]	3127	371
12	SEG[0]	3071	371
13	SEG[1]	3016	371
14	SEG[2]	2961	371
15	SEG[3]	2906	371
16	SEG[4]	2851	371
17	SEG[5]	2796	371
18	SEG[6]	2741	371
19	SEG[7]	2686	371
20	SEG[8]	2631	371
21	SEG[9]	2576	371
22	SEG[10]	2521	371
23	SEG[11]	2466	371
24	SEG[12]	2411	371
25	SEG[13]	2356	371
26	SEG[14]	2301	371
27	SEG[15]	2246	371
28	SEG[16]	2191	371
29	SEG[17]	2136	371
30	SEG[18]	2081	371

PAD NO.	PIN Name	X	Y
31	SEG[19]	2026	371
32	SEG[20]	1971	371
33	SEG[21]	1916	371
34	SEG[22]	1861	371
35	SEG[23]	1806	371
36	SEG[24]	1751	371
37	SEG[25]	1696	371
38	SEG[26]	1641	371
39	SEG[27]	1586	371
40	SEG[28]	1531	371
41	SEG[29]	1476	371
42	SEG[30]	1421	371
43	SEG[31]	1366	371
44	SEG[32]	1311	371
45	SEG[33]	1256	371
46	SEG[34]	1201	371
47	SEG[35]	1146	371
48	SEG[36]	1091	371
49	SEG[37]	1036	371
50	SEG[38]	981	371
51	SEG[39]	926	371
52	SEG[40]	871	371
53	SEG[41]	816	371
54	SEG[42]	761	371
55	SEG[43]	706	371
56	SEG[44]	651	371
57	SEG[45]	596	371
58	SEG[46]	541	371
59	SEG[47]	486	371
60	SEG[48]	431	371

PAD NO.	PIN Name	X	Y
61	SEG[49]	376	371
62	SEG[50]	321	371
63	SEG[51]	266	371
64	SEG[52]	211	371
65	SEG[53]	156	371
66	SEG[54]	101	371
67	SEG[55]	46	371
68	SEG[56]	-9	371
69	SEG[57]	-64	371
70	SEG[58]	-119	371
71	SEG[59]	-174	371
72	SEG[60]	-229	371
73	SEG[61]	-284	371
74	SEG[62]	-339	371
75	SEG[63]	-394	371
76	SEG[64]	-449	371
77	SEG[65]	-504	371
78	SEG[66]	-559	371
79	SEG[67]	-614	371
80	SEG[68]	-669	371
81	SEG[69]	-724	371
82	SEG[70]	-779	371
83	SEG[71]	-834	371
84	SEG[72]	-889	371
85	SEG[73]	-944	371
86	SEG[74]	-999	371
87	SEG[75]	-1054	371
88	SEG[76]	-1109	371
89	SEG[77]	-1164	371
90	SEG[78]	-1219	371

PAD NO.	PIN Name	X	Y
91	SEG[79]	-1274	371
92	SEG[80]	-1329	371
93	SEG[81]	-1384	371
94	SEG[82]	-1439	371
95	SEG[83]	-1494	371
96	SEG[84]	-1549	371
97	SEG[85]	-1604	371
98	SEG[86]	-1659	371
99	SEG[87]	-1714	371
100	SEG[88]	-1769	371
101	SEG[89]	-1824	371
102	SEG[90]	-1879	371
103	SEG[91]	-1934	371
104	SEG[92]	-1989	371
105	SEG[93]	-2044	371
106	SEG[94]	-2099	371
107	SEG[95]	-2154	371
108	SEG[96]	-2209	371
109	SEG[97]	-2264	371
110	SEG[98]	-2319	371
111	SEG[99]	-2374	371
112	SEG[100]	-2429	371
113	SEG[101]	-2484	371
114	COMS	-2540	371
115	COM[0]	-2595	371
116	COM[1]	-2650	371
117	COM[2]	-2705	371
118	COM[3]	-2760	371
119	COM[4]	-2815	371
120	COM[5]	-2870	371

PAD NO.	PIN Name	X	Y
121	COM[6]	-2925	371
122	COM[7]	-2980	371
123	COM[8]	-3035	371
124	COM[9]	-3981	352
125	COM[10]	-3981	297
126	COM[11]	-3981	242
127	COM[12]	-3981	187
128	COM[13]	-3981	132
129	COM[14]	-3981	77
130	COM[15]	-3981	22
131	COM[16]	-3981	-33
132	COM[17]	-3981	-88
133	COM[18]	-3981	-143
134	COM[19]	-3981	-198
135	COM[20]	-3981	-253
136	COM[21]	-3981	-308
137	COM[22]	-3981	-363
138	COM[23]	-3678	-371
139	COM[24]	-3623	-371
140	COM[25]	-3568	-371
141	COM[26]	-3513	-371
142	COM[27]	-3458	-371
143	COM[28]	-3403	-371
144	COM[29]	-3348	-371
145	COM[30]	-3293	-371
146	COM[31]	-3238	-371
147	COM[32]	-3183	-371
148	T6	-2194	-389
149	T7	-2075	-389
150	VDD1	-2002	-389

PAD NO.	PIN Name	X	Y
151	VDD1	-1929	-389
152	VDD1	-1856	-389
153	VDD1	-1783	-389
154	PS0	-1710	-389
155	PS1	-1591	-389
156	PS2	-1518	-389
157	BR	-1399	-389
158	VSS	-1326	-389
159	T8	-1253	-389
160	T9	-1134	-389
161	CP	-1061	-389
162	T10	-942	-389
163	T11	-869	-389
164	VDD2	-766	-389
165	VDD2	-693	-389
166	VDD2	-620	-389
167	VDD2	-547	-389
168	RESB	-410	-389
169	CSB	-291	-389
170	/WR	-218	-389
171	/RD	-99	-389
172	A0	-26	-389
173	VDD1	77	-389
174	D7	150	-389
175	D6	269	-389
176	D5	342	-389
177	D4	461	-389
178	D3	534	-389
179	D2	653	-389
180	D1	726	-389

ST7549T

PAD NO.	PIN Name	X	Y
181	D0	845	-389
182	OSC	918	-389
183	VSS	1021	-389
184	VSS	1094	-389
185	VSS	1167	-389
186	VSS	1240	-389
187	VRS	1313	-389
188	T0	1385	-389
189	T1	1534	-389
190	T2	1609	-389
191	T3	1784	-389
192	T4	1859	-389
193	T5	2034	-389
194	VSS	2108	-389
195	VSS	2181	-389
196	VSS	2254	-389
197	VSS	2327	-389
198	V _{OUTOUT}	2415	-389
199	V _{OUTOUT}	2488	-389
200	V _{OUTIN}	2561	-389
201	V _{OUTIN}	2634	-389
202	V0	2793	-389
203	V1	2883	-389
204	V2	2956	-389
205	V3	3029	-389
206	V4	3102	-389
207	COMS	3183	-371
208	COM[66]	3238	-371
209	COM[65]	3293	-371
210	COM[64]	3348	-371

PAD NO.	PIN Name	X	Y
211	COM[63]	3403	-371
212	COM[62]	3458	-371
213	COM[61]	3513	-371
214	COM[60]	3568	-371
215	COM[59]	3623	-371
216	COM[58]	3678	-371
217	COM[57]	3981	-363
218	COM[56]	3981	-308
219	COM[55]	3981	-253
220	COM[54]	3981	-198
221	COM[53]	3981	-143
222	COM[52]	3981	-88
223	COM[51]	3981	-33
224	COM[50]	3981	22
225	COM[49]	3981	77
226	COM[48]	3981	132
227	COM[47]	3981	187
228	COM[46]	3981	242
229	COM[45]	3981	297
230	COM[44]	3981	352

4. BLOCK DIAGRAM

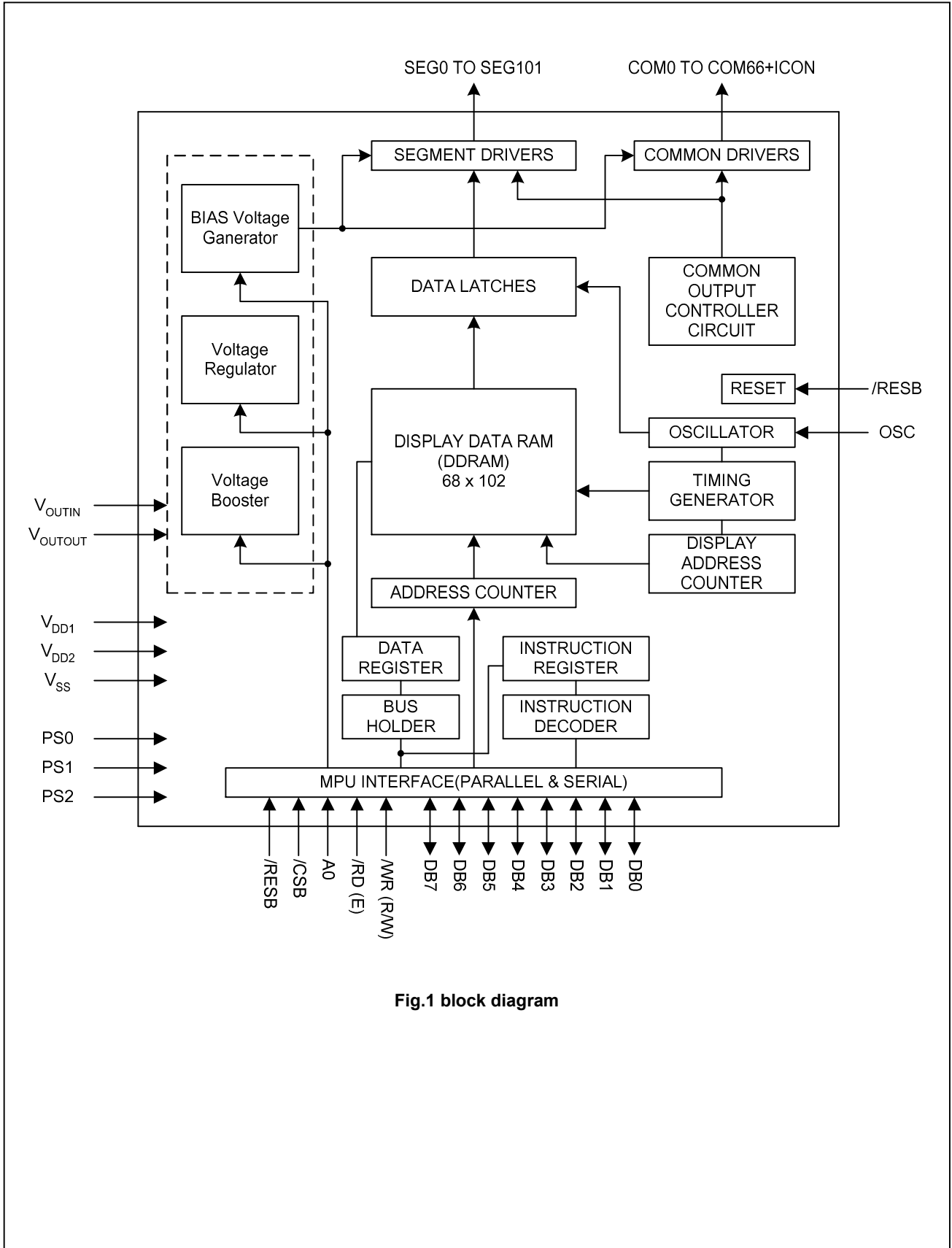


Fig.1 block diagram

5. PINNING DESCRIPTIONS

LCD Driver outputs						
Pin Name	I/O	Description			No. of Pins	
SEG0 to SEG101	O	LCD segment driver outputs. This display data and the M signal control the output voltage of segment driver.			102	
		Display data	M (Internal)	Segment drover output voltage		
				Normal display		Reverse display
		H	H	V ₀		V ₂
		H	L	V _{SS}		V ₃
		L	H	V ₂		V ₀
		L	L	V ₃		V _{SS}
Power save mode		V _{SS}	V _{SS}			
COM0 to COM66	O	LCD column driver outputs This internal scanning data and M signal control the output voltage of common driver.			67	
		Display data	M(Internal)	Common drover output voltage		
				Normal display		Reverse display
		H	H	V _{SS}		
		H	L	V ₀		
		L	H	V ₁		
L	L	V ₄				
Power save mode		V _{SS}				
COMS	O	Common output for the icons The output signals of two pins are same. When not used, this pin should be left open.			2	
MICROPROCESSOR INTERFACE						
Pin Name	I/O	Description			No. of Pins	
PS[2:0]	I	Microprocessor interface select input pin			3	
		PS0	PS1	PS2		State
		" L "	" L "	" L "		4 Pin-SPI MPU interface
		" L "	" L "	" H "		3 Pin-SPI MPU interface
		" L "	" H "	" L "		8080-series parallel MPU interface
		" L "	" H "	" H "		6800-series parallel MPU interface
" H "	" H "	" H "	I ² C interface			
CSB	I	Chip select input pins Data/instruction I/O is enabled only when CSB is " L ". When chip select is non-active, DB0 to DB7 is high impedance. There is no CSB pin in I ² C interface, so this pin can fix to " H "			1	
RESB	I	Reset input pin When RESB is " L ", initialization is executed.			1	
A0	I	It determines whether the data bits are data or a command. A0=" H ": Indicates that D0 to D7 are display data. A0=" L ": Indicates that D0 to D7 are control data. There is no A0 pin in three line or I ² C interface, so this pin can fix to " H "			1	

ST7549T

Pin Name	I/O	Description	No. of Pins												
/WR(RW)	I	<p>Read/Write execution control pin (PS[0:1]=[L:H])</p> <table border="1"> <thead> <tr> <th>PS2</th> <th>MPU type</th> <th>/WR(R/W)</th> <th>Description</th> </tr> </thead> <tbody> <tr> <td>H</td> <td>6800-series</td> <td>R/W</td> <td>Read/Write control input pin R/W=" H ": read R/W=" L ": write</td> </tr> <tr> <td>L</td> <td>8080-series</td> <td>/WR</td> <td>Write enable clock input pin The data on D0 to D7 are latched at the rising edge of the /WR signal</td> </tr> </tbody> </table> <p>When in the serial interface must fix to " H"</p>	PS2	MPU type	/WR(R/W)	Description	H	6800-series	R/W	Read/Write control input pin R/W=" H ": read R/W=" L ": write	L	8080-series	/WR	Write enable clock input pin The data on D0 to D7 are latched at the rising edge of the /WR signal	1
PS2	MPU type	/WR(R/W)	Description												
H	6800-series	R/W	Read/Write control input pin R/W=" H ": read R/W=" L ": write												
L	8080-series	/WR	Write enable clock input pin The data on D0 to D7 are latched at the rising edge of the /WR signal												
/RD (E)	I	<p>Read/Write execution control pin (PS[0:1]=[L:H])</p> <table border="1"> <thead> <tr> <th>PS2</th> <th>MPU Type</th> <th>/RD (E)</th> <th>Description</th> </tr> </thead> <tbody> <tr> <td>H</td> <td>6800-series</td> <td>E</td> <td>Read/Write control input pin R/W=" H ": When E is " H ", D0 to D7 are in an output status. R/W=" L ": The data on D0 to D7 are latched at the falling edge of the E signal.</td> </tr> <tr> <td>L</td> <td>8080-series</td> <td>/RD</td> <td>Read enable clock input pin When /RD is " L ", D0 to D7 are in an output status.</td> </tr> </tbody> </table> <p>When in the serial interface must fix to " H"</p>	PS2	MPU Type	/RD (E)	Description	H	6800-series	E	Read/Write control input pin R/W=" H ": When E is " H ", D0 to D7 are in an output status. R/W=" L ": The data on D0 to D7 are latched at the falling edge of the E signal.	L	8080-series	/RD	Read enable clock input pin When /RD is " L ", D0 to D7 are in an output status.	1
PS2	MPU Type	/RD (E)	Description												
H	6800-series	E	Read/Write control input pin R/W=" H ": When E is " H ", D0 to D7 are in an output status. R/W=" L ": The data on D0 to D7 are latched at the falling edge of the E signal.												
L	8080-series	/RD	Read enable clock input pin When /RD is " L ", D0 to D7 are in an output status.												
D7 to D4 D1 to D3 (SDA) D0(SCLK)	I/O	<p>When using 8-bit parallel interface : 6800 . 8080 8-bit bi-directional data bus that is connected to the standard 8-bit microprocessor data bus. When chip select is not active, D0 to D7 is high impedance.</p> <p>When using serial interface: 4-LINE D0: serial input clock (SCLK) D1,D2, D3 : serial input data (SDA), must be connected together D4, D5, D6, D7 : must fix to " H" When chip select is not active, D0 to D7 is high impedance.</p> <p>When using serial interface: 3-LINE D0 : serial input clock (SCLK) D1 : serial input data (SDA_IN) D2, D3 : serial data output for read ID function(SDA_OUT) D4 : ID1 ,When connect to VSS, ID1=0;connect to VDD,ID1=1 D5 : ID2 ,When connect to VSS, ID2=0;connect to VDD,ID2=1 D6 : ID3 ,When connect to VSS, ID3=0;connect to VDD,ID3=1 D7 : ID4 ,When connect to VSS, ID4=0;connect to VDD,ID4=1 Suggest D1~D3 be connected together; Suggest D4~D7(ID1~ID4) be connected to VDD if not used When chip select is not active, D0 to D7 is high impedance.</p>	8												

ST7549T

Pin Name	I/O	Description	No. of Pins
D7 to D6 (SA) D5 to D4(X) D3 to D2 (SDA_OUT) D1 (SDA_IN) D0 (SCLK)		<p>When using I²C interface D0: serial clock input (SCLK) D1: serial input data (SDA_IN) D2, D3: (SDA_OUT) serial data acknowledge for the I²C interface. By connecting SDA_OUT to SDA_IN externally, the SDA line becomes fully I²C interface compatible. Having the acknowledge output separated from the serial data line is advantageous in chip on glass (COG) applications. In COG application where the track resistance from the SDA_OUT pad to the system SDA line can be significant, a potential divider is generated by the bus pull-up resistor and the ITO track resistance. It is possible the during the acknowledge cycle the ST7549T will not be able to create a valid logic 0 level. By splitting the SDA_IN input from the SDA_OUT output the device could be used in a mode that ignores the acknowledge bit. In COG applications where the acknowledge cycle is required, it is necessary to minimize the track resistance from the SDA_OUT pad to the system SDA line to guarantee a valid low level.</p> <p><u>D1,D2,D3 must be connected together (SDA)</u> D4, D5: must fix to " H" D6, D7: Is slave address (SA) bit1, 0, must fix to "H" or "L" Chip select input pins "CSB" not used must fix to "H"</p>	
LCD DRIVER SUPPLY			
Pin Name	I/O	Description	No. of Pins
OSC	I	<p>When the on-chip oscillator is used, this input must be connected to VDD. An external clock signal, if used, is connected to this input. If the oscillator and external clock are both inhibited by connecting the OSC pin to VSS the display is not clocked and may be left in a DC state. To avoid this, the chip should always be put into Power Down Mode before stopping the clock.</p>	1
Power Supply Pins			
Pin Name	I/O	Description	No. of Pins
V _{SS}	Power Supply	Ground.	9
V _{DD1}	Power Supply	Digital Supply voltage:1.7V~3.3V The 2 supply rails V _{DD1} and V _{DD2} could be connected together. If Digital Option pin is high, must be this level	5
V _{DD2}	Power Supply	Analog Supply voltage:2.4V~3.3V The 2 supply rails V _{DD1} and V _{DD2} could be connected together.	4
V _{OUTIN}	Power Supply	If the internal voltage generator is used, the V _{OUTIN} & V _{OUTOUT} must be connected together. An external supply voltage can be supplied using the V _{OUTIN} pad. This pad is for external multiple voltage input. In this case, V _{OUTOUT} has to be left open,	2
V _{OUTOUT}	Power Supply	If the internal voltage generator is used, the V _{OUTIN} & V _{OUTOUT} must be connected together and series one capacitor to V _{SS} If an external supply is used this pin must be left open.	2

ST7549T

Pin Name	I/O	Description	No. of Pins
V0, V1, V2, V3, V4	Power Supply	This is a multi-level power supply for the liquid crystal. $V_{OUTIN} \geq V0 \geq V1 \geq V2 \geq V3 \geq V4 \geq V_{SS}$	5
VRS	Power Supply	Monitor Voltage Regulator level, must be left open.	1
Configuration Pins			
Pin Name	I/O	Description	No. of Pins
CP	I	Set Booster stages. (VSS=4X;VDD=5X) CP pin set the default value of booster stages after reset , and booster stage can be changed by software instruction	1
BR	I	Set LCD bias ratio. (VSS=1/7;VDD=1/9) BR pin set the default value of bias ratio after reset , and bias ratio can be changed by software instruction	1
Test Pin			
Pin Name	I/O	Description	No. of Pins
T0~T11	T	T0~T7 must floating T8.T9.T10 must connect to VDD T11 must connect to VSS	10

ST7549T I/O PIN ITO Resister Limitation

PIN Name	ITO Resister
PS[2:0],OSC,CP,BR,T8~T11	No Limitation
T0~T7,VRS, V1, V2, V3, V4	Floating
V _{DD1} , V _{DD2} , V _{SS} , V _{OUTIN} , V _{OUTOUT} ; D1~D3 (if I2C mode)	<100Ω
V0	<500Ω
A0,/WR,/RD,CSB, D0 ...D7	<1KΩ
RESB	<10KΩ

6. FUNCTIONS DESCRIPTION

MICROPROCESSOR INTERFACE

Chip Select Input

There is CSB pin for chip selection. The ST7549T can interface with an MPU when CSB is "L". When CSB is "H", these pins are set to any other combination, A0, /RD(E), and /WR(R/W) inputs are disabled and D0 to D7 are to be high impedance. And, in case of serial interface, the internal shift register and the counter are reset.

Parallel / Serial Interface

ST7549T has five types of interface with an MPU, which are three serial and two parallel interfaces. This parallel or serial interface is determined by PS [0:2] pin as shown in table 1.

Table 1. Parallel/Serial Interface Mode

PS0	PS1	PS2	CSB	A0	State
" L "	" L "	" L "	CSB	A0	4 Pin-SPI MPU interface
" L "	" L "	" H "	CSB	" * "	3 Pin-SPI MPU interface
" L "	" H "	" L "	CSB	A0	8080-series parallel MPU interface
" L "	" H "	" H "	CSB	A0	6800-series parallel MPU interface
" H "	" H "	" H "	" * "	" * "	I ² C interface

Parallel Interface

The 8-bit bi-directional data bus is used in parallel interface and the type of MPU is selected by PS2 as shown in table 2. The type of data transfer is determined by signals at A0, /RD (E) and /WR(R/W) as shown in table 3.

Table 2. Microprocessor Selection for Parallel Interface

PS0	PS1	PS2	CSB	A0	/RD (E)	/WR (R/W)	DB0 to DB7	MPU bus
L	H	H	CSB	A0	E	R/W	DB0 to DB7	6800-series
L	H	L	CSB	A0	/RD	/WR	DB0 to DB7	8080-series

Table 3. Parallel Data Transfer

Common	6800-series		8080-series		Description
	A0	E (/RD)	R/W (/WR)	/RD (E) /WR (R/W)	
H	H	H	L	H	Display data read out
H	H	L	H	L	Display data write
L	H	H	L	H	Register status read
L	H	L	H	L	Writes to internal register (instruction)

NOTE: When /RD (E) pin is always pulled high for 6800-series interface, it can be used CSB for enable signal. In this case, interface data is latched at the rising edge of CSB and the type of data transfer is determined by signals at A0, /WR(R/W) as in case of 6800-series mode.

Serial Interface

Serial Mode	PS0	PS1	PS2	CSB	A0
4-line SPI interface	L	L	L	CSB	Used
3-line SPI interface	L	L	H	CSB	Not Used Fix to "H"
I ² C interface	H	H	H	Not Used Fix to "H"	Not Used Fix to "H"

PS0=" L ", PS1=" L ", PS2=" L ": 4-line SPI interface

When the ST7549T is active (CSB="L"), serial data (D1) and serial clock (D0) inputs are enabled. And not active, the internal 8-bit shift register and the 3-bit counter are reset. The display data/command indication may be controlled either via software or the Register Select (A0) Pin, based on the setting of PS[2:0]. When the A0 pin is used, data is display data when A0 is high, and command data when A0 is low. When A0 is not used, the LCD Driver will receive command from MCU by default. If messages on the data pin are data rather than command, MCU should send Data direction command to control the data direction and then one more command to define the number of data bytes will be write. After these two continuous commands are sending, the following messages will be data rather than command. Serial data can be read on

the rising edge of serial clock going into D0 and processed as 8-bit parallel data on the eighth serial clock. And the DDRAM column address pointer will be increased by one automatically. The next bytes after the display data string are handled as command data.

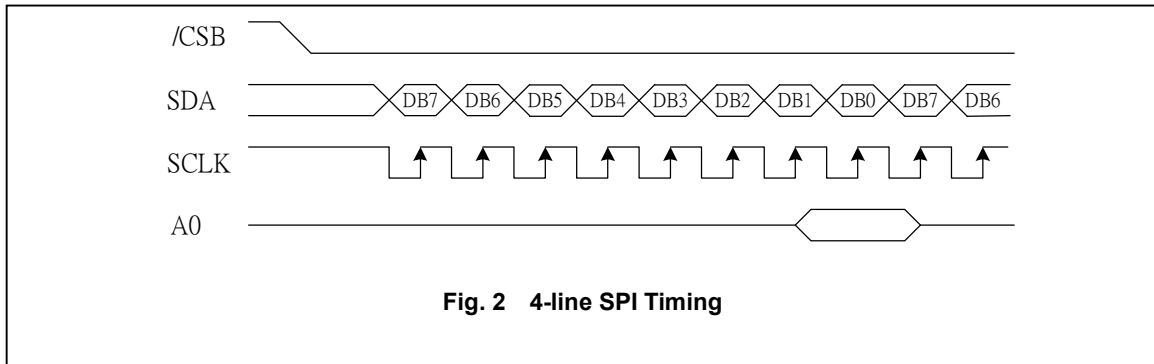


Fig. 2 4-line SPI Timing

PS0=" L ", PS1=" L ", PS2=" H ": 3-line SPI interface

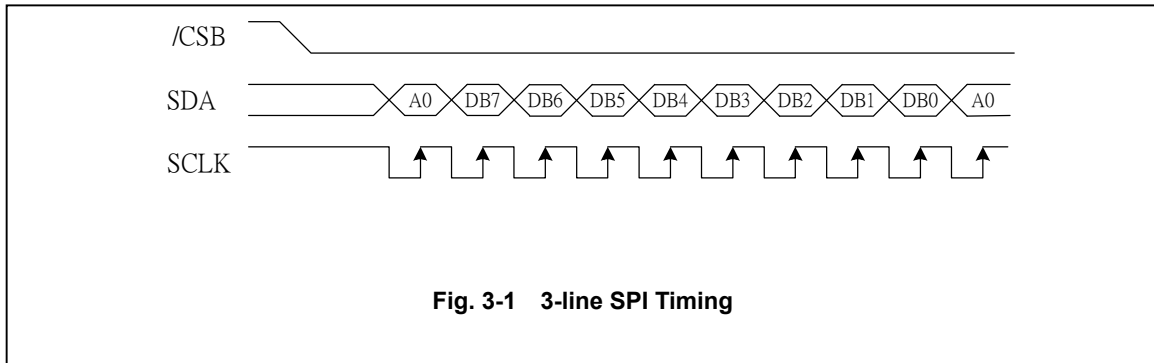


Fig. 3-1 3-line SPI Timing

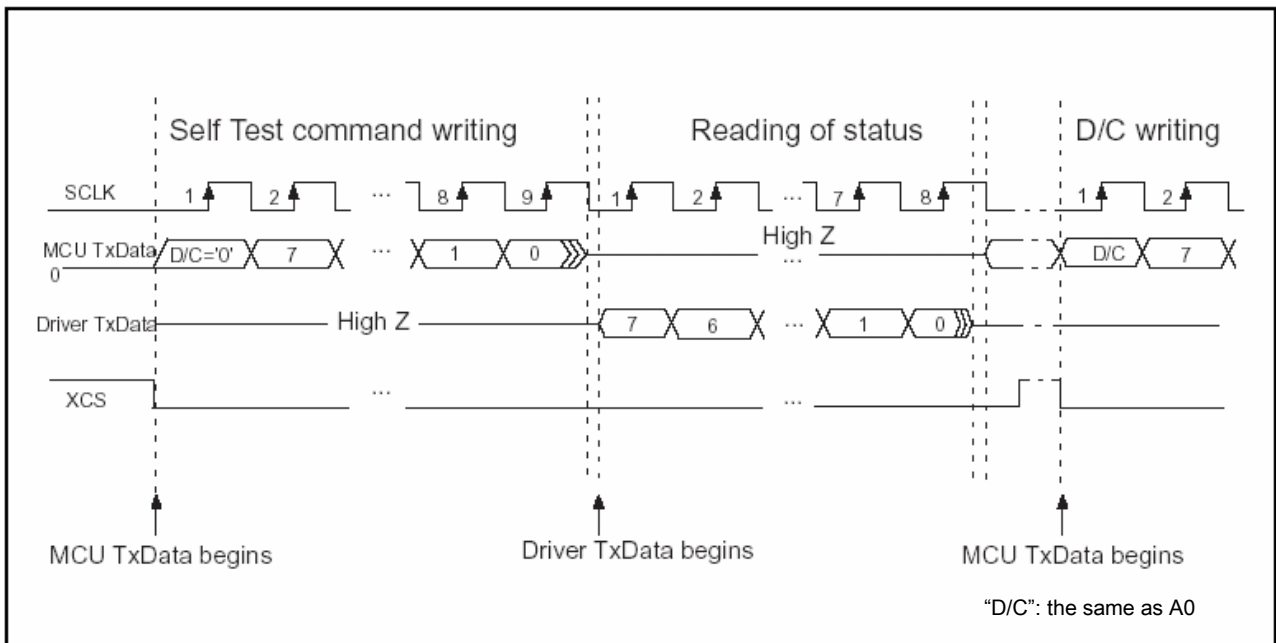


Figure 1-2 shows the timing of reading on one bit of B1....B4

ST7549T

To access Driver TxData-mode a Self Test command is needed to write to driver. The first bit (A0) is low to indicate next 8-bits are for command. The data is read to the driver on the rising edge of SCLK. After last command bit (bit 0) is read SDA-out becomes active (Low impedance) and MCU is able to read data from driver.

The data is read to 8-bit register in MCU so that the bit which was the object of reading is MSB (D7). The same bit value is written again to the register 3 times in a row by next 3 rising edges of SCLK. These first 4 bits are MSB. The 4 LSB is written to the register as the complement of 4 MSB by 4 next rising edges of SCLK. The complement function is done by the driver.

This function allows to check if the written data is valid.

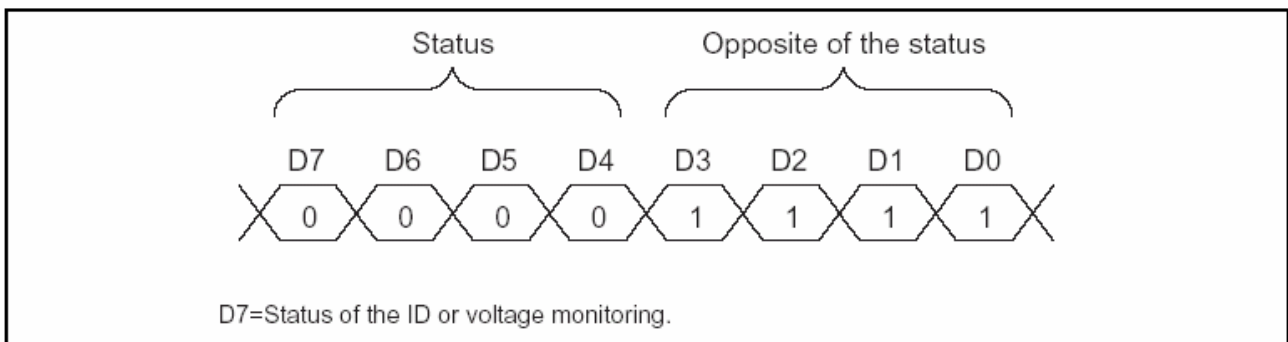
After written all 8 bits to the register the Auto Return-block in driver release automatically driver back to the MCU TxData-mode, MCU Txdata line changes from high-z to active low in the falling edge of 8th SCLK pulse. CSB must be set high and low again before A0 writing can continue.

SDA-out and SDA-in line can be short circuited in normal working conditions.

Bit No.	D7(MSB)	D6	D5	D4	D3	D2	D1	D0(LSB)
Status	0 or 1	Bits have same status as MSB			Bits are complement of 4 MSB (D7~D4)			

For example, if D7 (MSB) has status "0" first 4 bits (D7~D4) represent the status of D7 ("0") and next four bits (D3~D0) have status "1" because they represent complement data of D7~D4 (see the figure below)

It is recommended to use below 1 MHz SCLK speed for Driver Tx mode (both self test command writing and reading of status). This guarantees that D7 and D6 status bits are also valid.



PS0= "H" , PS1= "H" , PS2= "H" : I²C Interface

The I²C interface receives and executes the commands sent via the I²C Interface. It also receives RAM data and sends it to the RAM.

The I²C Interface is for bi-directional, two-line communication between different ICs or modules. The two lines are a Serial Data line (SDA) and a Serial Clock line (SCL). Both lines must be connected to a positive supply via a pull-up resistor. Data transfer may be initiated only when the bus is not busy.

BIT TRANSFER

One data bit is transferred during each clock pulse. The data on the SDA line must remain stable during the HIGH period of the clock pulse because changes in the data line at this time will be interpreted as a control signal. Bit transfer is illustrated in Fig.4.

START AND STOP CONDITIONS

Both data and clock lines remain HIGH when the bus is not busy. A HIGH-to-LOW transition of the data line, while the clock is HIGH is defined as the START condition (S). A LOW-to-HIGH transition of the data line while the clock is HIGH is defined as the STOP condition (P). The START and STOP conditions are illustrated in Fig.5.

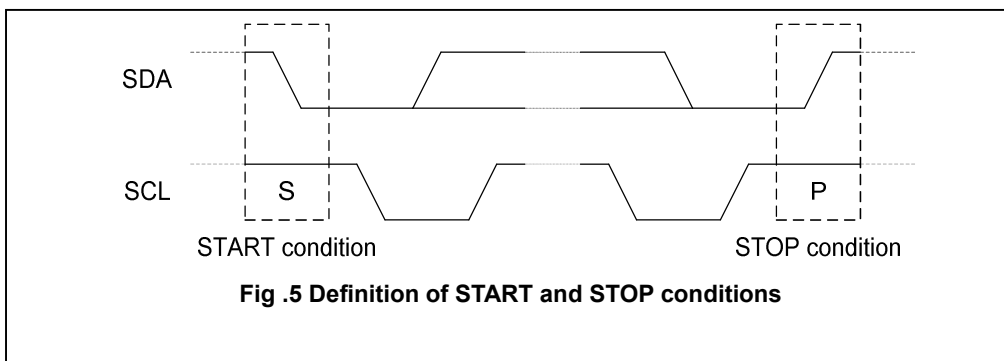
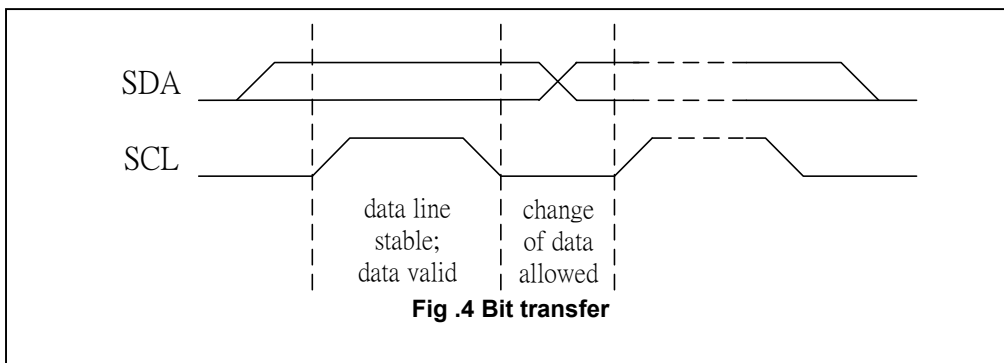
SYSTEM CONFIGURATION

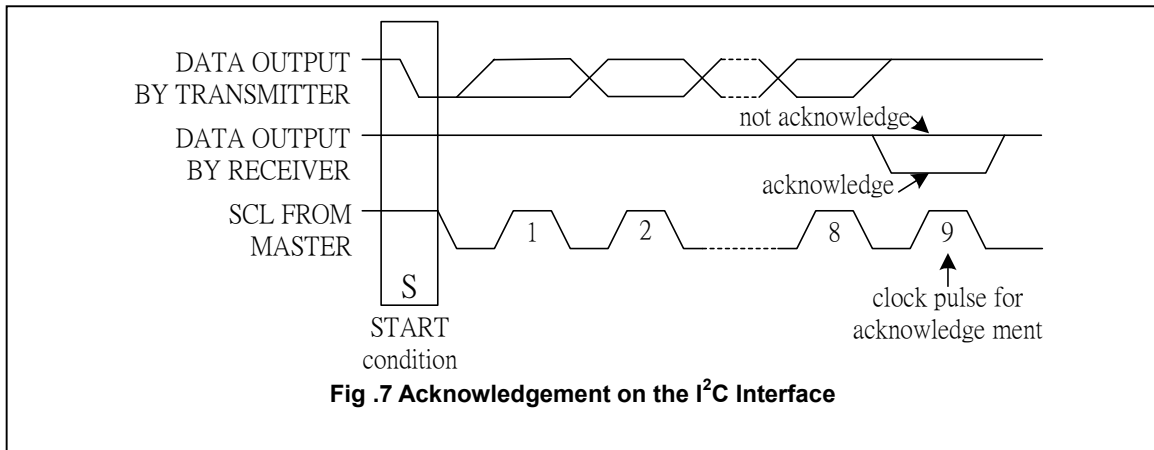
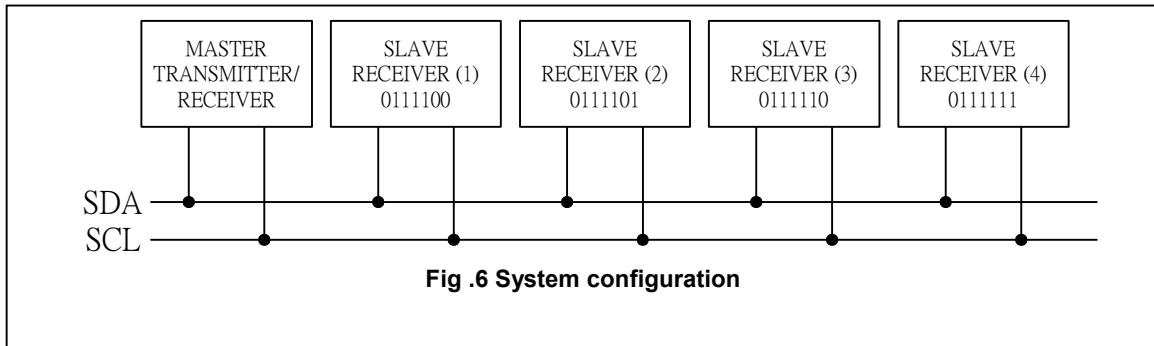
The system configuration is illustrated in Fig.6.

- Transmitter: the device, which sends the data to the bus
- Receiver: the device, which receives the data from the bus
- Master: the device, which initiates a transfer, generates clock signals and terminates a transfer
- Slave: the device addressed by a master
- Multi-Master: more than one master can attempt to control the bus at the same time without corrupting the message
- Arbitration: procedure to ensure that, if more than one master simultaneously tries to control the bus, only one is allowed to do so and the message is not corrupted
- Synchronization: procedure to synchronize the clock signals of two or more devices.

ACKNOWLEDGE

Each byte of eight bits is followed by an acknowledge bit. The acknowledge bit is a HIGH signal put on the bus by the transmitter during which time the master generates an extra acknowledge related clock pulse. A slave receiver which is addressed must generate an acknowledge after the reception of each byte. A master receiver must also generate an acknowledge after the reception of each byte that has been clocked out of the slave transmitter. The device that acknowledges must pull-down the SDA line during the acknowledge clock pulse, so that the SDA line is stable LOW during the HIGH period of the acknowledge related clock pulse (set-up and hold times must be taken into consideration). A master receiver must signal an end-of-data to the transmitter by not generating an acknowledge on the last byte that has been clocked out of the slave. In this event the transmitter must leave the data line HIGH to enable the master to generate a STOP condition. Acknowledgement on the I²C Interface is illustrated in Fig.7.





I²C Interface protocol

The ST7549T supports command, data write addressed slaves on the bus.

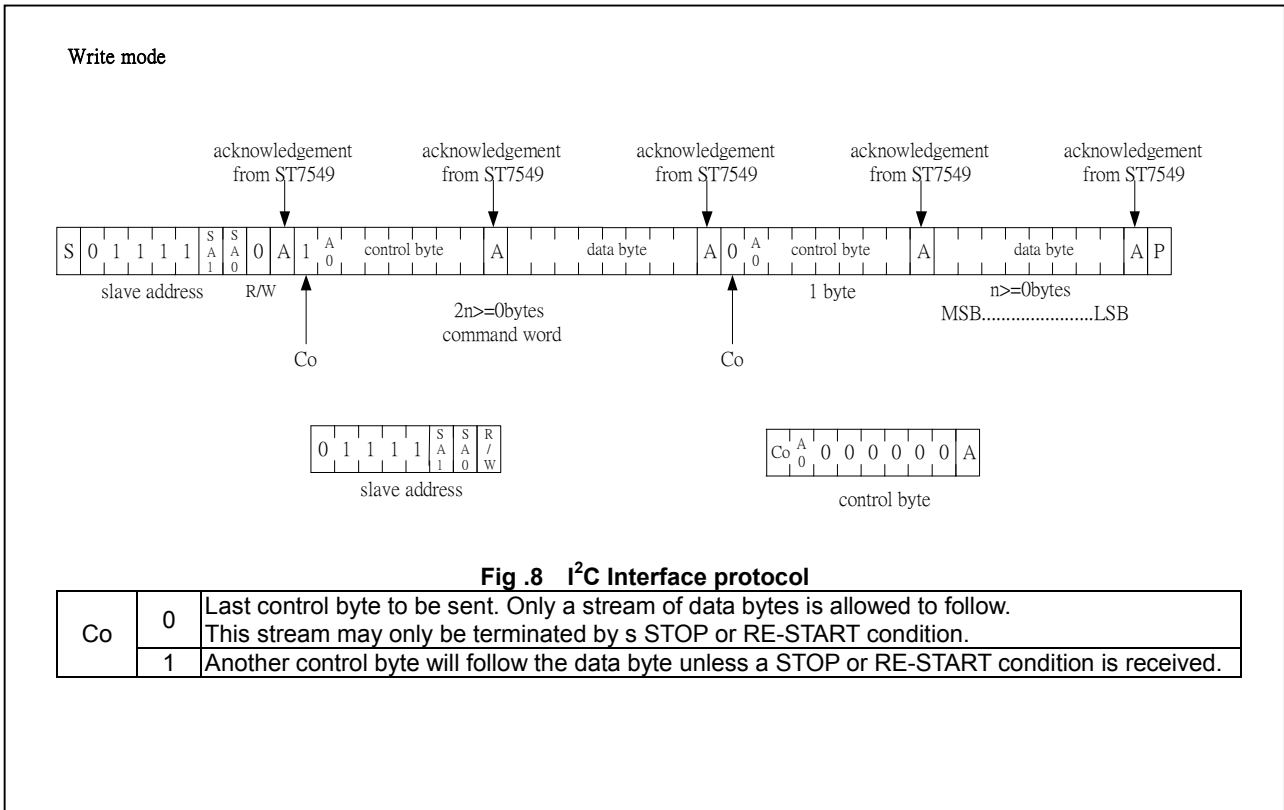
Before any data is transmitted on the I²C Interface, the device, which should respond, is addressed first. Four 7-bit slave addresses (0111100,0111101, 0111110 and 0111111) are reserved for the ST7549T. The least significant bit of the slave address is set by connecting the input SA0 and SA1 to either logic 0 (or logic 1 (VDD1)).

The I²C Interface protocol is illustrated in Fig.8.

The sequence is initiated with a START condition (S) from the I²C Interface master, which is followed by the slave address. All slaves with the corresponding address acknowledge in parallel, all the others will ignore the I²C Interface transfer. After acknowledgement, one or more command words follow which define the status of the addressed slaves.

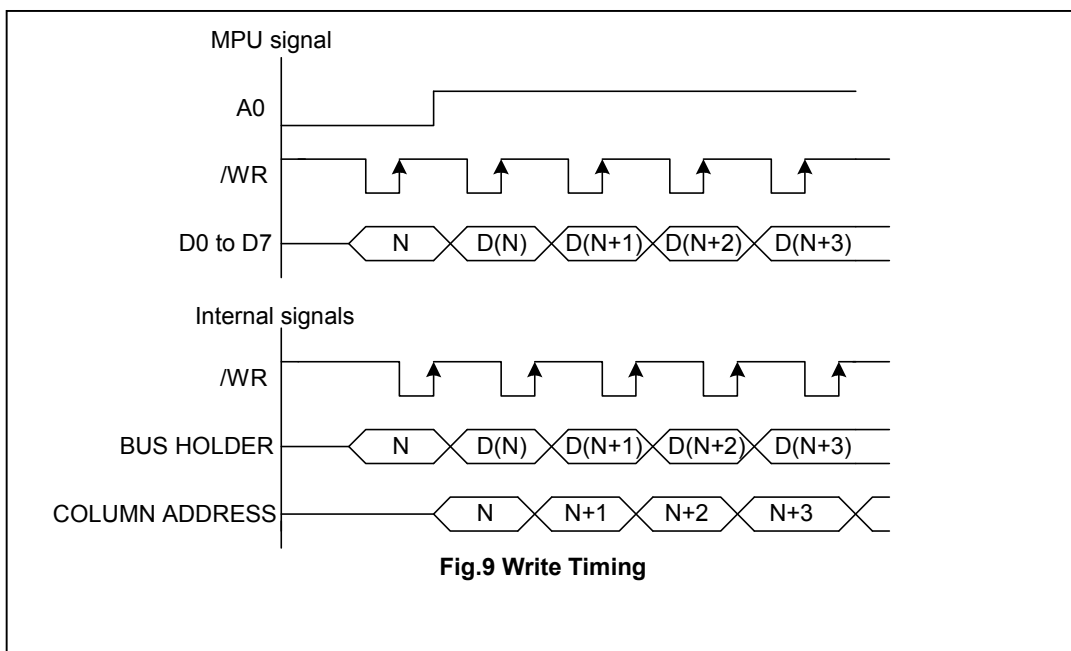
A command word consists of a control byte, which defines Co and A0, plus a data byte.

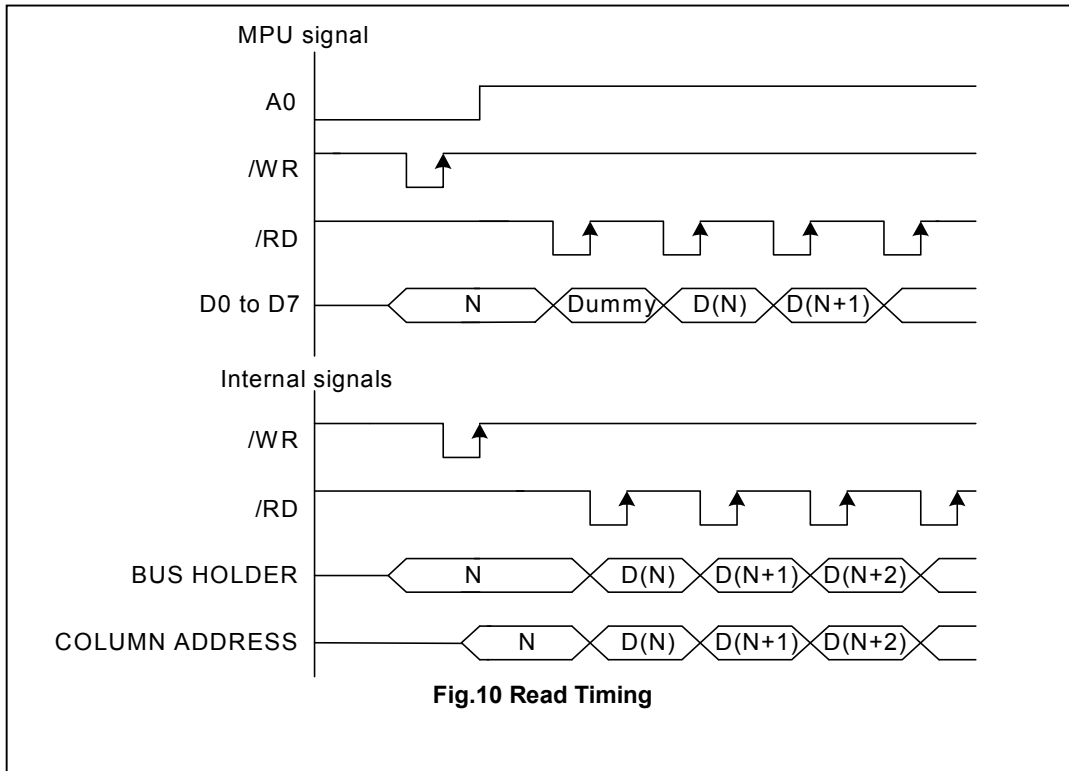
The last control byte is tagged with a cleared most significant bit (i.e. the continuation bit Co). After a control byte with a cleared Co bit, only data bytes will follow. The state of the A0 bit defines whether the data byte is interpreted as a command or as RAM data. All addressed slaves on the bus also acknowledge the control and data bytes. After the last control byte, depending on the A0 bit setting; either a series of display data bytes or command data bytes may follow. If the A0 bit is set to logic 1, these display bytes are stored in the display RAM at the address specified by the data pointer. The data pointer is automatically updated and the data is directed to the intended ST7549T device. If the A0 bit of the last control byte is set to logic 0, these command bytes will be decoded and the setting of the device will be changed according to the received commands. Only the addressed slave makes the acknowledgement after each byte. At the end of the transmission the I²C INTERFACE-bus master issues a STOP condition (P).If the RW bit is set to logic 1 the chip will output data immediately after the slave address if the A0 bit, which was sent during the last write access, is set to logic 0. If no acknowledgement is generated by the master after a byte, the driver stops transferring data to the master.



Data Transfer

The ST7549T uses bus holder and internal data bus for data transfer with the MPU. When writing data from the MPU to on-chip RAM, data is automatically transferred from the bus holder to the RAM as shown in figure 9. And when reading data from on-chip RAM to the MPU, the data for the initial read cycle is stored in the bus holder (dummy read) and the MPU reads this stored data from bus holder for the next data read cycle as shown in figure 10. This means that a dummy read cycle must be inserted between each pair of address sets when a sequence of address sets is executed. Therefore, the data of the specified address cannot be output with the read display data instruction right after the address sets, but can be output at the second read of data.





DISPLAY DATA RAM (DDRAM)

The ST7549T contains a 68X102 bit static RAM that stores the display data. The display data RAM store the dot data for the LCD. It has a 68(8 pageX8 bit +1 pageX3 bit +1 pageX1 bit) X 102 . There is a direct correspondence between X-address and column output number. It is 68-row by 102-column addressable array. Each pixel can be selected when the page and column addresses are specified. The 65 rows are divided into 8 pages of 8 lines (0~63 COM) and 8th page with three line (D0 ~D2)(64~ 66 COM) and 9th page with a single line (D0 only)(67 row—COMS (ICON). Data is read from or written to the 8 lines of each page directly through D0 to D7. The display data of D0 to D7 from the microprocessor correspond to the LCD common lines. The microprocessor can read from and write to RAM through the I/O buffer. Since the LCD controller operates independently, data can be written into RAM at the same time as data is being displayed without causing the LCD flicker.

Page Address Circuit

This circuit is for providing a Page Address to Display Data RAM. It incorporates 4-bit Page Address register changed by only the "Set Page" instruction. Page Address 9 is a special RAM area for the icons and display data D0 is only valid.

Line Address Circuit

This circuit assigns DDRAM a Line Address corresponding to the first line (COM0) of the display. Therefore, by setting Line Address repeatedly, it is possible to realize the screen scrolling and page switching without changing the contents of on-chip RAM as shown in figure 10. It incorporates 7-bit Line Address register changed by only the initial display line instruction and 7-bit counter circuit. At the beginning of each LCD frame, the contents of register are copied to the line counter which is increased by CL signal and generates the line address for transferring the 102-bit RAM data to the display data latch circuit. When icon is selected by setting icon page address, display data of icons are not scrolled because the MPU cannot access Line Address of icons.

Column Address Circuit

Column Address Circuit has an 8-bit preset counter that provides Column Address to the Display Data RAM as shown in figure11. The display data RAM column address is specified by the Column Address Set command. The specified column address is incremented (+1) with each display data read/write command. This allows the MPU display data to be accessed continuously.

Register MX and MY selection instruction makes it possible to invert the relationship between the Column Address and the segment outputs. It is necessary to rewrite the display data on built-in RAM after issuing MX select instruction. Refer to the following figure 12.

SEG Output

SEG Output MX	SEG0	SEG101
"0"	seg0 → Segment Address → seg101	
"1"	seg101 ← Segment Address ← seg0	

Com Output

SEG Output MY	Com0	Com66	Coms
"0"	com0 → Common Address → com66		Coms
"1"	com66 ← Common Address ← com0		Coms

Duty	MY	Common output pins	
		Com [0:66]	Coms
1/68	0	Com [0:66]	Coms
	1	Com [66:0]	Coms

ADDRESSING

Data is downloaded in bytes into the RAM matrix of ST7549T as indicated in Figs.11, 12, 13, 14. The display RAM has a matrix of 68 by 102 bits. The address pointer addresses the columns. The address ranges are: X 0 to 101 (1100101), Y 0 to 9 (1001). Addresses outside these ranges are not allowed.

In horizontal addressing mode the X address increments after each byte (see Fig.14). After the last X address (X = 101) X wraps around to 0 and Y increments to address the next row.

After the very last address (X = 101, Y = 9) the address pointers wrap around to address (X = 0, Y = 0)

Data structure

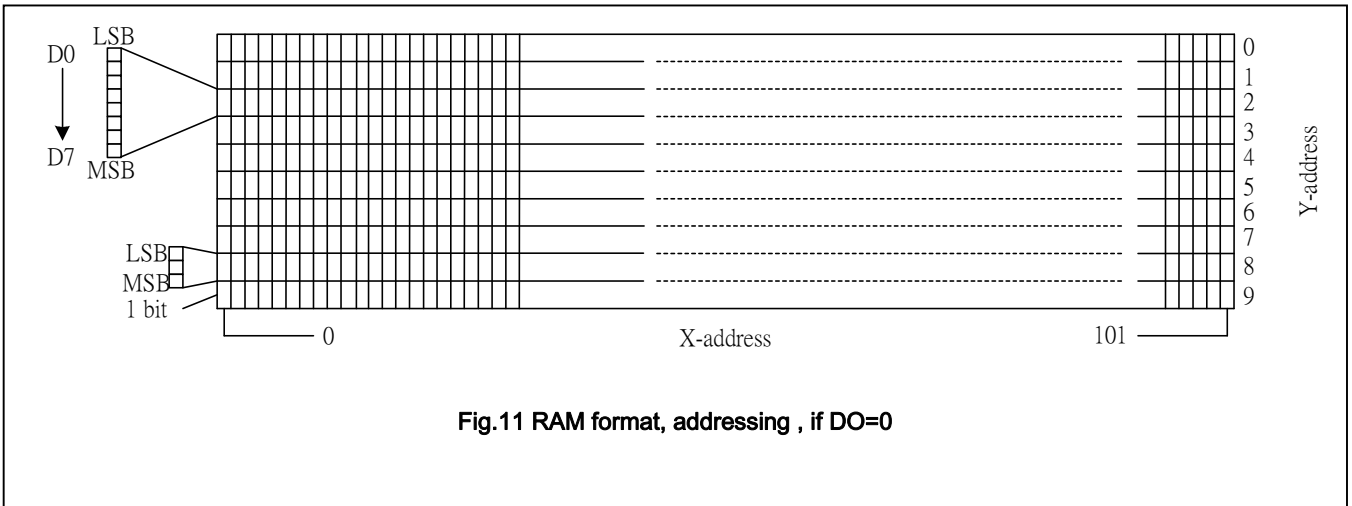


Fig.11 RAM format, addressing, if DO=0

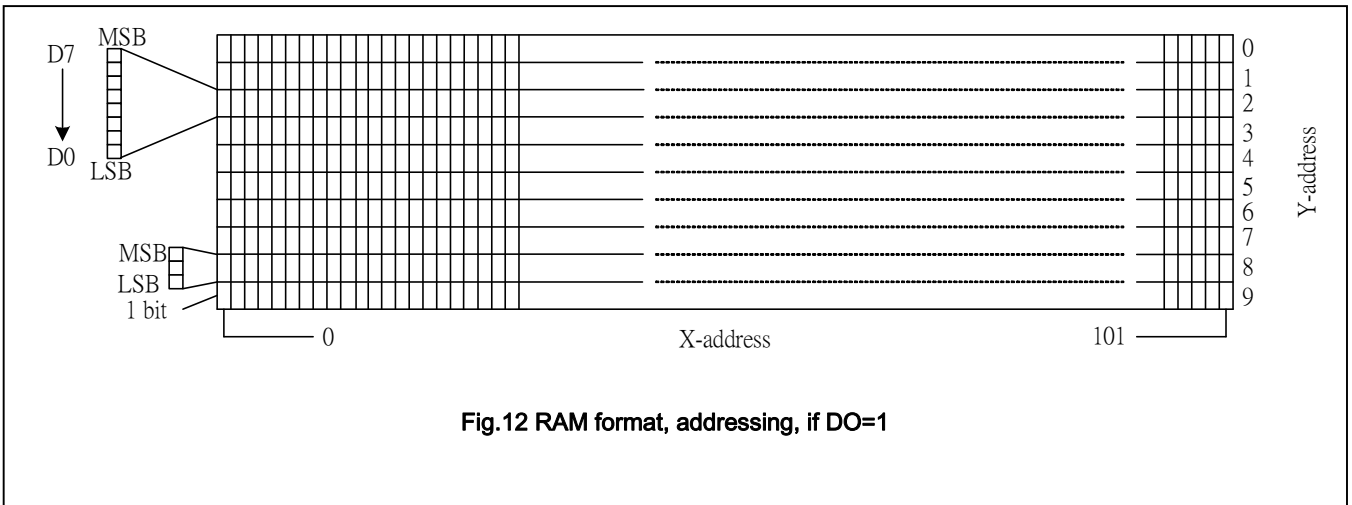


Fig.12 RAM format, addressing, if DO=1

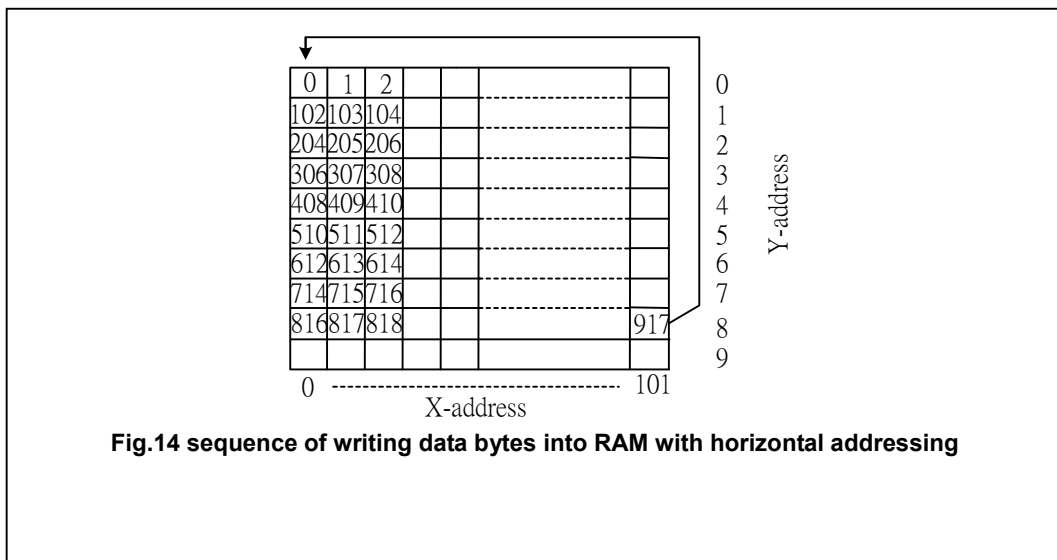


Fig.14 sequence of writing data bytes into RAM with horizontal addressing

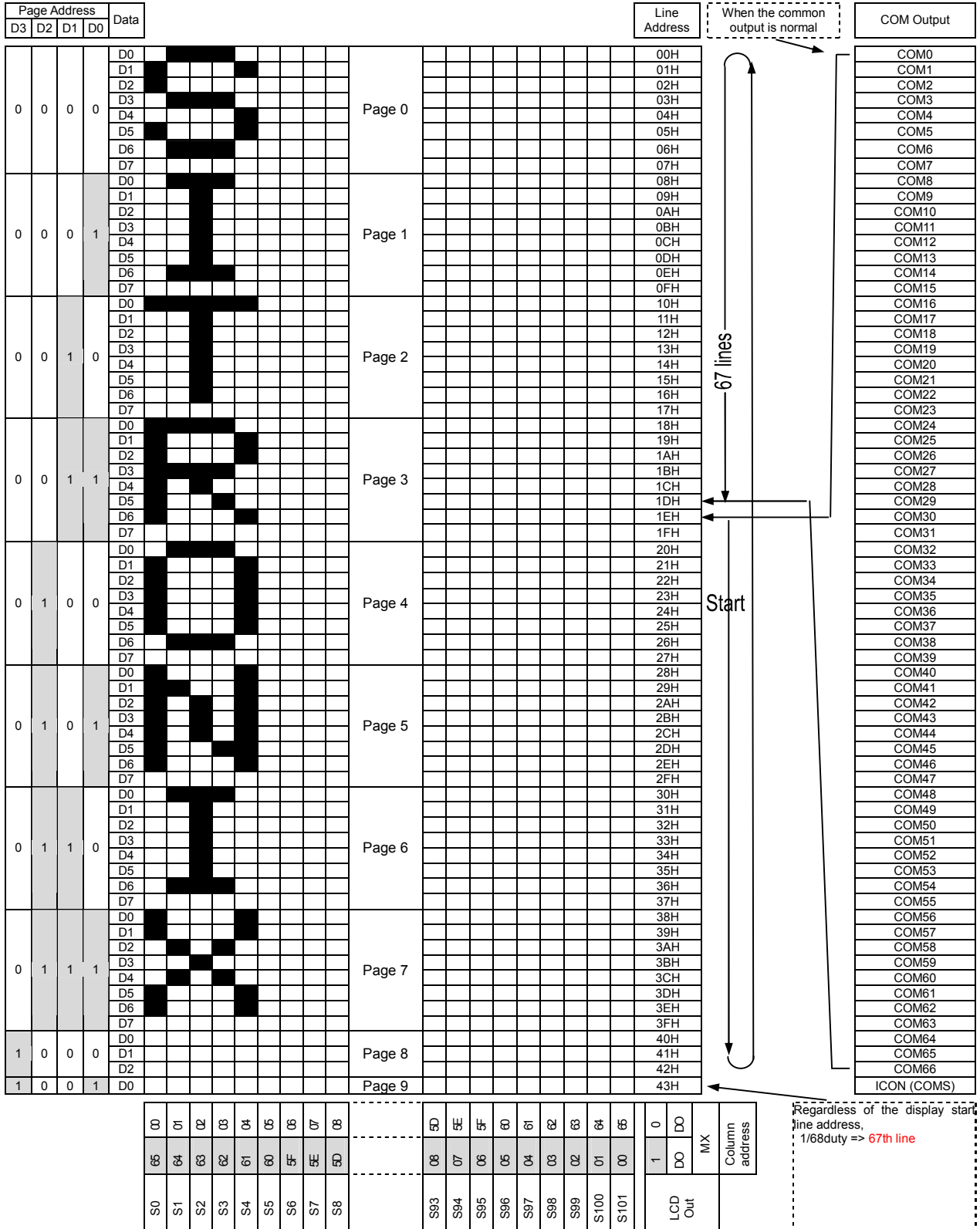


Fig.16 Display Data RAM Map (68 COM)

LCD DRIVER CIRCUIT

68-channel common drivers and 102-channel segment drivers configure this driver circuit. This LCD panel driver voltage depends on the combination of display data and M signal.

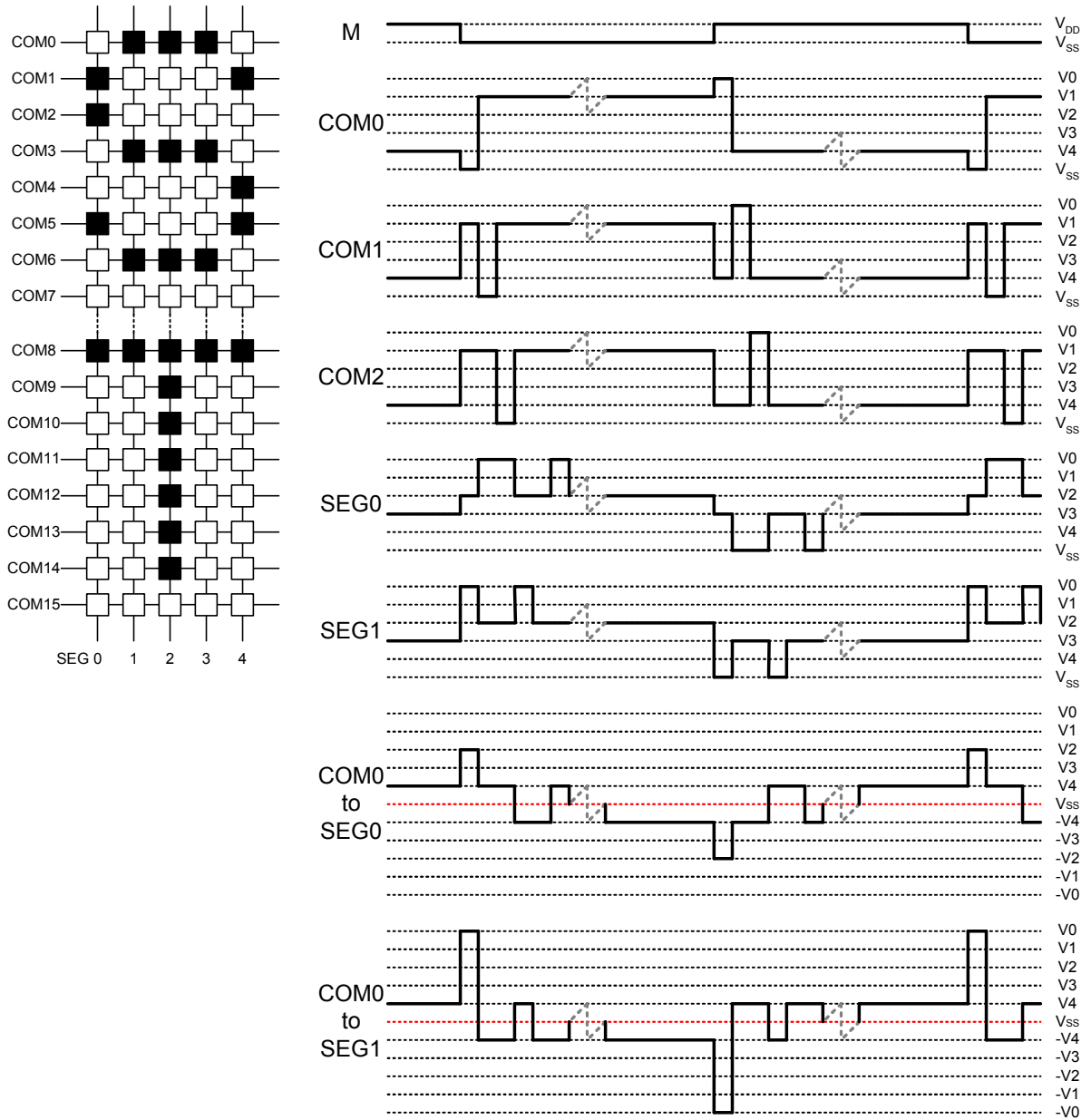


Fig.19 Typical LCD driver waveforms

Partial Display on LCD

The ST7549T realizes the Partial Display function on LCD with low-duty driving for saving power consumption and showing the various display duty. To show the various display duty on LCD, LCD driving duty and bias are programmable via the instruction. And, built-in power supply circuits are controlled by the instruction for adjusting the LCD driving voltages.

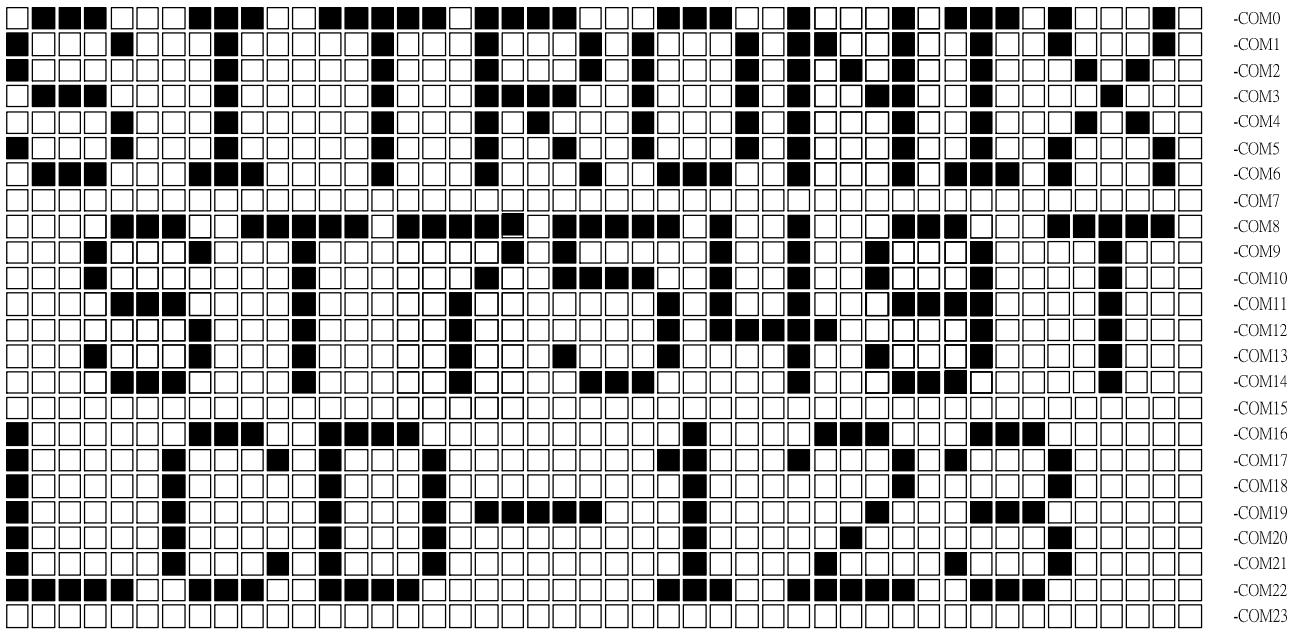


Figure 20. Reference Example for Partial Display

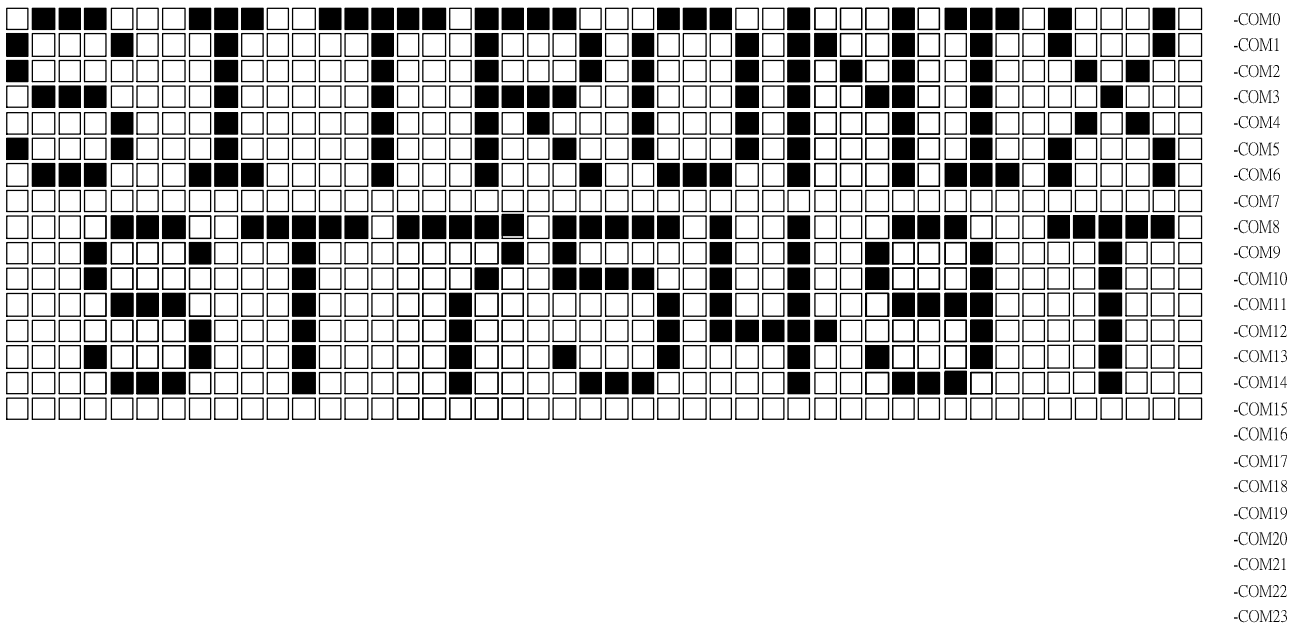


Figure 21. Partial Display (Partial Display Duty=16, initial COM0=0)

- COM0
- COM1
- COM2
- COM3
- COM4
- COM5
- COM6
- COM7
- COM8
- COM9
- COM10
- COM11
- COM12
- COM13
- COM14
- COM15
- COM16
- COM17
- COM18
- COM19
- COM20
- COM21
- COM22
- COM23

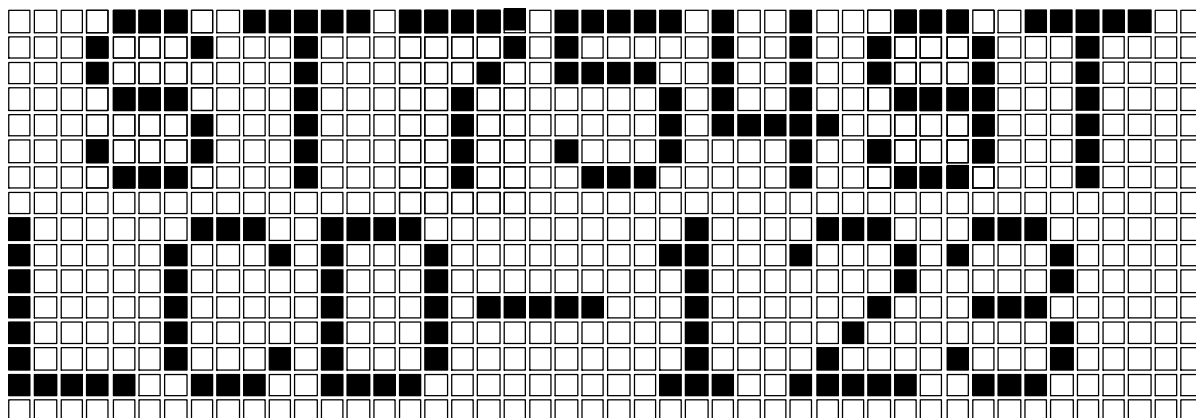


Figure 22.Moving Display (Partial Display Duty=16,Initial COM0=8)

7. RESET CIRCUIT

Setting RESB to “L” or Reset instruction can initialize internal function.
When RESB becomes “L”, following procedure is occurred.

Page address: 0

Column address: 0

Display control: Display blank

COM Scan Direction MY: 0

SEG Select Direction MX: 0

DO=0

FR[2:0]=100

Oscillator: OFF

N-line inversion register: 0 (disable)

Power down mode (PD = 1)

Normal instruction set (H[1:0] = 00)

Display blank (E = D = 0)

Address counter X [6:0] = 0, Y [3:0] = 0

Bias system (BS [2:0] = BR setting)

V₀ is equal to 0; the HV generator is switched off (V_{OP} [6:0] = 0)

After power-on, RAM data are undefined

While RESB is “L” or reset instruction is executed, no instruction except read status can be accepted. Reset status appears at DB0. After DB0 becomes ” L”, any instruction can be accepted. RESB must be connected to the reset pin of the MPU, and initialize the MPU and this LSI at the same time. The initialization by RESB is essential before used.

8. INSTRUCTION TABLE

INSTRUCTION	A0	WR (R/W)	COMMAND BYTE								DESCRIPTION	
			D7	D6	D5	D4	D3	D2	D1	D0		
H independent instruction												
NOP	0	0	0	0	0	0	0	0	0	0	0	No operation
Reserved	0	0	0	0	0	0	0	0	0	0	1	Do not use
Function set	0	0	0	0	1	MX	MY	PD	H1	H0		Power-down; entry mode; Extended instruction control
Read status byte	0	1	PD	0	0	D	E	MX	MY	DO		Read status byte
Read data	1	1	D ₇	D ₆	D ₅	D ₄	D ₃	D ₂	D ₁	D ₀		Read data to RAM
Write data	1	0	D ₇	D ₆	D ₅	D ₄	D ₃	D ₂	D ₁	D ₀		Write data to RAM

INSTRUCTION	A0	WR (R/W)	COMMAND BYTE								DESCRIPTION	
			D7	D6	D5	D4	D3	D2	D1	D0		
H[1:0]=[0:0]												
Reserved	0	0	0	0	0	0	0	0	0	1	X	Do not use
Set V _{OP} range	0	0	0	0	0	0	0	0	1	0	PRS	V _{OP} range L/H select
END	0	0	0	0	0	0	0	0	1	1	0	Release read/modify/write
Read/modify/write	0	0	0	0	0	0	0	0	1	1	1	RAM address at R:+0 , W:+1
Display control	0	0	0	0	0	0	0	1	D	0	E	Sets display configuration
Reserved	0	0	0	0	0	0	1	0	0	X	X	Do not use
Set Y address of RAM	0	0	0	1	0	0	Y ₃	Y ₂	Y ₁	Y ₀		Sets Y address of RAM 0 ≤ Y ≤ 9
Set X address of RAM	0	0	1	X ₆	X ₅	X ₄	X ₃	X ₂	X ₁	X ₀		Sets X address of RAM 0 ≤ X ≤ 101
H[1:0]=[0:1]												
Reserved	0	0	0	0	0	0	0	0	0	1	X	Do not use
Display configuration	0	0	0	0	0	0	0	1	DO	X	X	Top/bottom row mode set data order
Bias system	0	0	0	0	0	0	1	0	BS ₂	BS ₁	BS ₀	Sets bias system (BSx)
Set Start line	0	0	0	1	S5	S4	S3	S2	S1	S0		Specify the initial display line to realize vertical scrolling
Set V _{OP}	0	0	1	V _{OP6}	V _{OP5}	V _{OP4}	V _{OP3}	V _{OP2}	V _{OP1}	V _{OP0}		Write V _{OP} to register

INSTRUCTION	A0	WR (R/W)	COMMAND BYTE								DESCRIPTION	
			D7	D6	D5	D4	D3	D2	D1	D0		
H[1:0]=[1:0]												
Reserved	0	0	0	0	0	0	0	0	0	1	X	Do not use
Partial screen mode	0	0	0	0	0	0	0	0	1	0	PS	Partial screen enable
Partial screen size	0	0	0	0	0	0	0	1	0	0	WS	Set partial screen size
Display part	0	0	0	0	0	0	1	0	DP2	DP1	DP0	Set display part for partial screen mode
H[1:0]=[1:1]												
RESET	0	0	0	0	0	0	0	0	0	1	1	Software reset
Display control	0	0	0	0	0	0	0	1	FR2	FR1	FR0	Frame rate control
N line inversion	0	0	0	1	0	NL4	NL3	NL2	NL1	NL0		Sets N line inversion
Booster Efficiency &Booster Stage	0	0	1	0	0	1	BE1	BE0	PC1	PC0		Booster Efficiency Set
Reserved	0	0	1	X	X	X	X	X	X	X	X	Do not use

Only used in 3-line to read ID

INSTRUCTION	A0	COMMAND BYTE								DESCRIPTION
		D7	D6	D5	D4	D3	D2	D1	D0	
H[1:0]=[1:1]										
Self	0	1	1	0	1	1	0	1	0	Identification:ID1
test/identification	0	1	1	0	1	1	0	1	1	Identification:ID2
Data read	0	1	1	0	1	1	1	0	0	Identification:ID3
	0	1	1	0	1	1	1	0	1	Identification:ID4

SDA_IN and SDA_OUT must be connected together.

9. INSTRUCTION DESCRIPTION

Function Set

A0	WR(R/W)	D7	D6	D5	D4	D3	D2	D1	D0
0	0	0	0	1	MX	MY	PD	H1	H0

Flag	Description
MX	SEG bi-direction selection MX=0:normal direction (SEG0->SEG101) MX=1:reverse direction (SEG101->SEG0)
MY	COM bi-direction selection MY=0:normal direction (COM0->COM66) MY=1:reverse direction (COM66->COM0)
PD	All LCD outputs at VSS (display off), bias generator and V _{OP} generator off, V _{OUT} can be disconnected, oscillator off (external clock possible), RAM contents not cleared; RAM data can be written. PD=0:chip is active PD=1:chip is in power down mode
H0.H1	H0.H1 are used to select different instruction block Follow the instruction table

Read status byte

Indicates the internal status of the ST7549T

A0	WR(R/W)	D7	D6	D5	D4	D3	D2	D1	D0
0	1	PD	0	0	D	E	MX	MY	DO

Flag	Description
PD	PD=0:chip is active PD=1:chip is in power down mode
D,E	D E The bits D and E select the display mode. 0 0 Display blank 0 1 All display segments on 1 0 Normal mode 1 1 Inverse video mode
DO	DO=0:LSB is on top DO=1:MSB is on top See page 20

Read data

8-bit data of Display Data from the RAM location specified by the column address and page address can be read to the microprocessor.

A0	WR(R/W)	D7	D6	D5	D4	D3	D2	D1	D0
1	1	Read data							

Write data

8-bit data of Display Data from the microprocessor can be written to the RAM location specified by the column address and page address. The column address is increased by 1 automatically so that the microprocessor can continuously write data to the addressed page. During auto-increment, the column address wraps to 0 after the last column is written.

A0	WR(R/W)	D7	D6	D5	D4	D3	D2	D1	D0
1	0	Write data							

H[1:0]=[0:0]

Set V_{OP} range

V_{OP} range L/H select

A0	WR(R/W)	D7	D6	D5	D4	D3	D2	D1	D0
0	0	0	0	0	0	0	1	0	PRS

PRS=0: V_{OP} programming range LOW

PRS=1: V_{OP} programming range HIGH

Display Control

This bits D and E selects the display mode.

A0	WR(R/W)	D7	D6	D5	D4	D3	D2	D1	D0
0	0	0	0	0	0	1	D	0	E

Flag	Description		
D,E	D	E	The bits D and E select the display mode.
	0	0	Display blank
	1	0	Normal display
	0	1	All display segments on
	1	1	Inverse video mode

Set Y address of RAM

Y [3:0] defines the Y address vector address of the display RAM.

A0	WR(R/W)	D7	D6	D5	D4	D3	D2	D1	D0
0	0	0	1	0	0	Y ₃	Y ₂	Y ₁	Y ₀

Y ₃	Y ₂	Y ₁	Y ₀	CONTENT	ALLOWED X-RANGE
0	0	0	0	Page0 (display RAM)	0 to 101
0	0	0	1	Page1 (display RAM)	0 to 101
0	0	1	0	Page2 (display RAM)	0 to 101
0	0	1	1	Page3 (display RAM)	0 to 101
0	1	0	0	Page4 (display RAM)	0 to 101
0	1	0	1	Page5 (display RAM)	0 to 101
0	1	1	0	Page6 (display RAM)	0 to 101
0	1	1	1	Page7 (display RAM)	0 to 101
1	0	0	0	Page8 (display RAM)	0 to 101
1	0	0	1	Page9 (display RAM)	0 to 101

ST7549T

Set X address of RAM

The X address points to the columns. The range of X is 0...101.

A0	WR(R/W)	D7	D6	D5	D4	D3	D2	D1	D0
0	0	1	X ₆	X ₅	X ₄	X ₃	X ₂	X ₁	X ₀

X ₆	X ₅	X ₄	X ₃	X ₂	X ₁	X ₀	Column address
0	0	0	0	0	0	0	0
0	0	0	0	0	0	1	1
0	0	0	0	0	1	0	2
0	0	0	0	0	1	1	3
:	:	:	:	:	:	:	:
1	1	0	0	0	1	0	98
1	1	0	0	0	1	1	99
1	1	0	0	1	0	0	100
1	1	0	0	1	0	1	101

END

This command releases the read/modify/write mode, and returns the column and row address to the address it was at when the mode was entered.

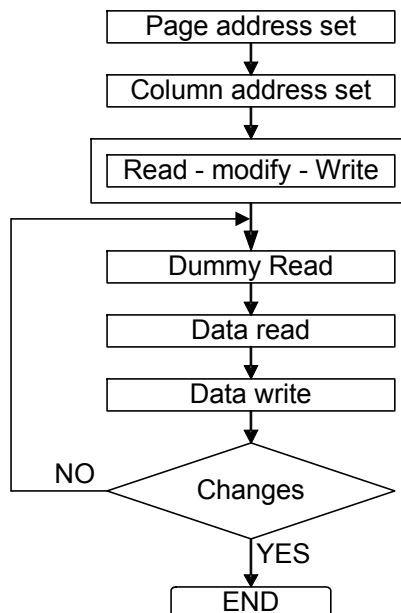
A0	WR(R/W)	D7	D6	D5	D4	D3	D2	D1	D0
0	0	0	0	0	0	0	1	1	0

Read/modify/write

This command is used paired with the "END" command. Once this command has been input, the display data read command does not change the column and row address, but only the display data write command increments (+1) the address depend on V register setting. This mode is maintained until the END command is input. When the END command is input, the address returns to the address it was at when the read/modify/write command was entered. This function makes it possible to reduce the load on the MPU when there are repeating data changes in a specified display region, such as when there is a blanking cursor.

A0	WR(R/W)	D7	D6	D5	D4	D3	D2	D1	D0
0	0	0	0	0	0	0	1	1	1

* Even in read/modify/write mode, other commands aside from display data read/write commands can also be used.



ST7549T

H[1:0]=[0:1]

Display configuration

Top/bottom row mode set data order

A0	WR(R/W)	D7	D6	D5	D4	D3	D2	D1	D0
0	0	0	0	0	0	1	DO	X	X

Flag	Description
DO	DO=0:LSB is on top DO=1:MSB is on top See page 20

System Bias

Select LCD bias ratio of the voltage required for driving the LCD.

A0	WR(R/W)	D7	D6	D5	D4	D3	D2	D1	D0
0	0	0	0	0	1	0	BS ₂	BS ₁	BS ₀

BS ₂	BS ₁	BS ₀	Bias	Recommend Duty
0	0	0	11	1:100
0	0	1	10	1:81
0	1	0	9	1:65/1:68
0	1	1	8	1:49
1	0	0	7	1/40:1/36
1	0	1	6	1/24
1	1	0	5	1:18/1:16
1	1	1	4	1:10/1:9/1:8

LCD bias voltage

Symbol	Bias voltage for 1/9 bias	Symbol	Bias voltage for 1/9 bias
V0 (V _{OP})	V0 (V _{OP})	V3	2/9 X V0
V1	8/9 X V0	V4	1/9 X V0
V2	7/9 X V0	VSS	VSS

Set start line

Sets the line address of display RAM to determine the initial display line instruction. The RAM display data is displayed at the top of row (COM0) of LCD panel.

A0	WR(R/W)	D7	D6	D5	D4	D3	D2	D1	D0
0	0	0	1	S ₅	S ₄	S ₃	S ₂	S ₁	S ₀

S ₅	S ₄	S ₃	S ₂	S ₁	S ₀	Line address
0	0	0	0	0	0	0
0	0	0	0	0	1	1
0	0	0	0	1	0	2
0	0	0	0	1	1	3
:	:	:	:	:	:	:
1	1	1	1	0	0	61
1	1	1	1	0	1	62
1	1	1	1	1	0	62
1	1	1	1	1	1	63

ST7549T

Set V_{OP} value:

A0	WR(R/W)	D7	D6	D5	D4	D3	D2	D1	D0
0	0	1	V_{OP6}	V_{OP5}	V_{OP4}	V_{OP3}	V_{OP2}	V_{OP1}	V_{OP0}

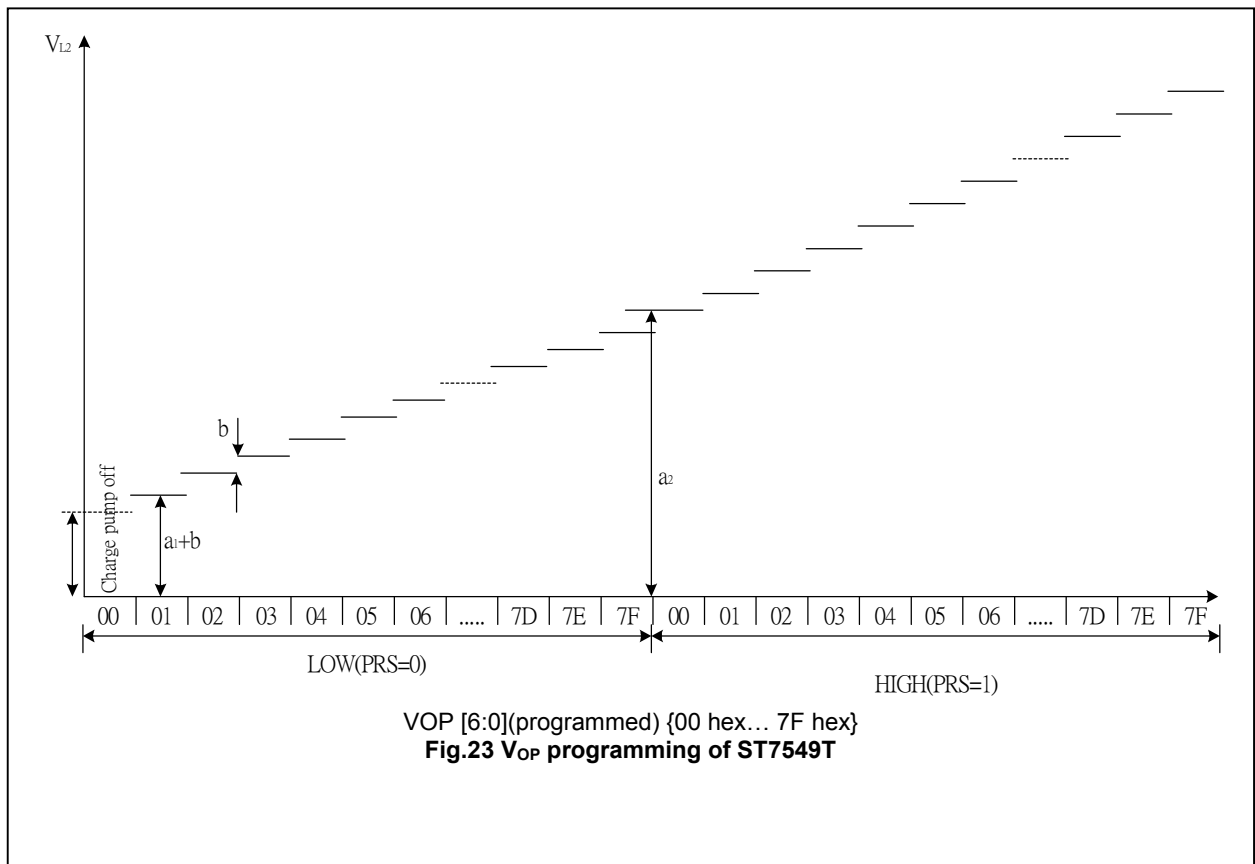
The operation voltage V_{OP} can be set by software.

$$V_0 = (a + V_{OP} \times b) \quad (1)$$

The parameters are explained in table 4. The maximum voltage that can be generated is depending on the VDD1 voltage and the display load current. Two overlapping V_0 ranges are selectable via the command "Booster control". For the LOW (PRS=0) range $a=a1$ and for the HIGH (PRS=1) range $a=a2$ with steps equal to "b" in both ranges. Note that the charge pump is turned off if V_{OP} [6;0] and the bit PRS are all set to zero

Table 4 Typical values for parameter for the HV-Generator programming

SYMBOL	VALUE	UNIT
a1	2.94 (PRS=0)	V
a2	6.75 (PRS=1)	V
b	0.03	V



ST7549T

H[1:0]=[1:0]

Partial screen mode

A0	WR(R/W)	D7	D6	D5	D4	D3	D2	D1	D0
0	0	0	0	0	0	0	1	0	PS

Flag	Description
PS	Full display mode or partial screen mode selection PS=0:Full display mode with MUX 1:68 PS=1:Partial screen mode with MUX 1:17 or MUX 1:33

When enter Partial screen mode , COMS also works. The DDRAM position of COMS is at page9(D0)

Partial screen size

This instruction can select partial screen size

A0	WR(R/W)	D7	D6	D5	D4	D3	D2	D1	D0
0	0	0	0	0	0	1	0	0	WS

Flag	Description
WS	WS=0:partail screen mode with MUX 1:17(16 Common + COMS) WS=1:Partial screen mode with MUX 1:33(32 Common + COMS)

Display part

This instruction can select partial screen modes

A0	WR(R/W)	D7	D6	D5	D4	D3	D2	D1	D0
0	0	0	0	0	1	0	DP ₂	DP ₁	DP ₀

Flag	Status			Description	
				Display common	DDRAM position
DP ₂ DP ₁ DP ₀	0	0	0	Start from common 0	Start from page 0
	0	0	1	Start from common 8	Start from page 1
	0	1	0	Start from common 16	Start from page 2
	0	1	1	Start from common 24	Start from page 3
	1	0	0	Start from common 32	Start from page 4
	1	0	1	Start from common 40	Start from page 5
	1	1	0	Start from common 48	Start from page 6
	1	1	1	Start from common 56	Start from page 7

The range of display common and DDRAM depends on the "WS" register . For example , if WS=1 and DP[2:0]=001 ,then display common is common 8 to common 39 and DDRAM position is page 1 to page4 and COMS is at page 9 . Moreover the bottom of DP[2:0] is common 66, when the range is over common66,there will be no more common output to display
H[1:0]=[1:1]

Reset

This instruction resets initial display line, column address, page address, and common output status select to their initial status .This instruction cannot initialize the LCD power supply, which is initialized by the RESB pin.

A0	WR(R/W)	D7	D6	D5	D4	D3	D2	D1	D0
0	0	0	0	0	0	0	0	1	1

Frame frequency

A0	WR(R/W)	D7	D6	D5	D4	D3	D2	D1	D0
0	0	0	0	0	0	1	FR ₂	FR ₁	FR ₀

This command is used to set the frame frequency.

FR ₂	FR ₁	FR ₀	FR frequency
0	0	0	55 Hz ±15%
0	0	1	65 Hz ±15%
0	1	0	68 Hz ±15%
0	1	1	70 Hz ±15%
1	0	0	73 Hz ±10%
1	0	1	76 Hz ±15%
1	1	0	80 Hz ±15%
1	1	1	137 Hz ±15%

ST7549T

Release N-line inversion

ST7549T returns to the frame inversion condition from the N-line inversion condition.

A0	WR(R/W)	D7	D6	D5	D4	D3	D2	D1	D0
0	0	0	1	0	NL4	NL3	NL2	NL1	NL0

Set N-line inversion

Sets the inverted line number within range of 3 to 33 to improve the display quality by controlling the phase of the internal LCD AC signal (M)

Note: The N-line inversion mode will be disabled when partial display mode enter. After the partial display mode end, the N-line inversion mode will return as it was.

NL4	NL3	NL2	NL1	NL0	Selected n-line inversion
0	0	0	0	0	0-line inversion (frame inversion)
0	0	0	0	1	3-line inversion
0	0	0	1	0	4-line inversion
0	0	0	1	1	5-line inversion
:	:	:	:	:	:
1	1	1	0	1	31-line inversion
1	1	1	1	0	32-line inversion
1	1	1	1	1	33-line inversion

Booster Efficiency & Booster stages

A0	WR(R/W)	D7	D6	D5	D4	D3	D2	D1	D0
0	0	1	0	0	1	BE1	BE0	PC1	PC0

Booster Efficiency

The ST7549T incorporates software configurable Booster Efficiency. It could be used with Voltage multiplier to get the suitable V_{OUT} and Power consumption .Using lower Booster Efficiency level will get the lower V_{OUT} & lower Power consumption. *Default setting is Level 2.(suggest level)*

Flag	Description		
BE[1:0]	BE1	BE0	
	0	0	Booster Efficiency Level 4
	0	1	Booster Efficiency Level 3
	1	0	Booster Efficiency Level 2(default)
	1	1	Booster Efficiency Level 1

Booster stages

The ST7549T incorporates a software configurable voltage multiplier. After reset (RESB), the default voltage multiplier is related to "CP" pin(see page 11). Other voltage multiplier factors are set via this command .

Flag	Description		
PC1, PC0	PC1	PC0	
	0	0	2*voltage multiplier(Booster X2)
	0	1	3*voltage multiplier(Booster X3)
	1	0	4*voltage multiplier(Booster X4)
	1	1	5*voltage multiplier(Booster X5)

Self Test/Identification Data Read(Only used under 3-LINE interface)

These command set SDAOUT to Diver TxData-mode and enable to read the status of B1...B4 (ID1...ID4) from output of multiplexer inside the driver.

A0	D7	D6	D5	D4	D3	D2	D1	D0	Description
0	1	1	0	1	1	0	1	0	Read the status of the B1 (ID1)
0	1	1	0	1	1	0	1	1	Read the status of the B2 (ID2)
0	1	1	0	1	1	1	0	0	Read the status of the B3 (ID3)
0	1	1	0	1	1	1	0	1	Read the status of the B4 (ID4)

10. COMMAND DESCRIPTION

Referential Instruction Setup Flow: Initializing with the built-in Power Supply Circuits

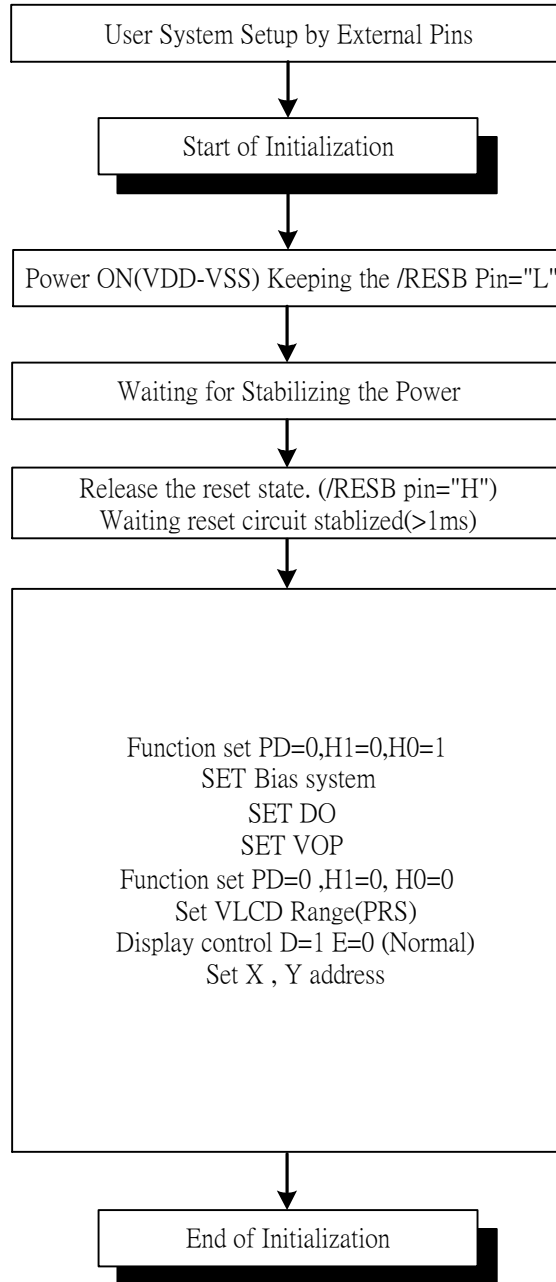
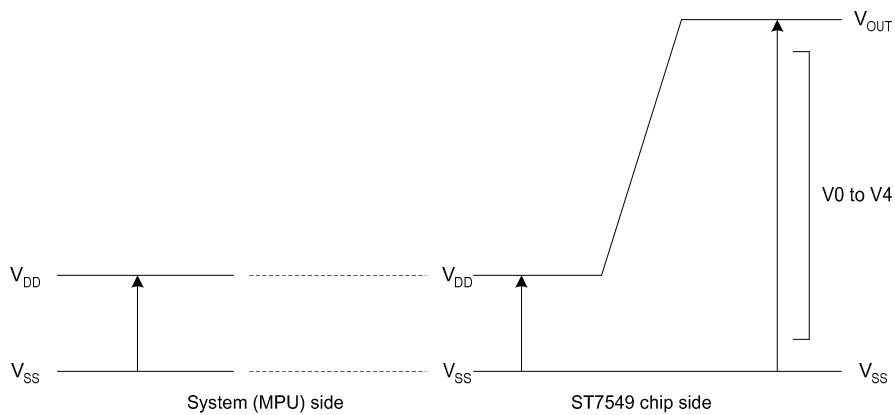


Fig.24 Initializing with the Built-in Power Supply Circuits

11. LIMITING VALUES

In accordance with the Absolute Maximum Rating System; see notes 1 and 2.

Parameter	Symbol	Conditions	Unit
Power Supply Voltage	VDD1	-0.3 ~ 3.6	V
Power supply voltage	VDD2	-0.3 ~ 3.6	V
Power supply voltage (V _{DD} standard)	V _{OUTOUT} , V _{OUTIN} , V ₀	-0.3~13.5	V
Power supply voltage (V _{DD} standard)	V1, V2, V3, V4	0.3 to V _{OUTIN}	V
Input voltage	CSB,RESB,A0,/WR,/RD,D7~D0	-0.5 ~ 5	V
Operating temperature	TOPR	-30 to +85	°C
Storage temperature	TSTR	-65 to +150	°C



Notes

- Stresses over those listed in Limiting Values may cause permanent damage to the device.
- Parameters are valid over operating temperature range unless otherwise specified. All voltages are with respect to V_{SS} unless otherwise noted.
- Insure that the voltage levels of V1, V2, V3, and V4 are always such that
 $V_{OUTIN} \geq V_0 \geq V_1 \geq V_2 \geq V_3 \geq V_4 \geq V_{SS}$

12. HANDLING

Inputs and outputs are protected against electrostatic discharge in normal handling. However, to be totally safe, it is desirable to take normal precautions appropriate to handling MOS devices (see "Handling MOS devices").

13. DC CHARACTERISTICS

$V_{DD1} = 1.7\text{ V to }3.3\text{ V}$; $V_{SS} = 0\text{ V}$; $T_{amb} = -30^{\circ}\text{C to }+85^{\circ}\text{C}$; unless otherwise specified.

Item	Symbol	Condition	Rating			Units	Applicable Pin	
			Min.	Typ.	Max.			
Operating Voltage (1)	V_{DD1}		1.7	—	3.3	V	V_{DD1}	
Operating Voltage (2)	V_{DD2}	(Relative to V_{SS})	2.4	—	3.3	V	V_{DD2}	
High-level Input Voltage	V_{IHC}		$0.7 \times V_{DD}$	—	VDD	V		
Low-level Input Voltage	V_{ILC}		VSS	—	$0.3 \times V_{DD}$	V		
High-level Output Voltage	V_{OHC}	$I_{OUT} = -500\mu\text{A}$; $V_{DD} = 1.7\text{V}$	$0.7 \times V_{DD}$	—	VDD	V		
Low-level Output Voltage	V_{OLC}	$I_{OUT} = 500\mu\text{A}$; $V_{DD} = 1.7\text{V}$	VSS	—	$0.3 \times V_{DD}$	V		
Input leakage current	I_{LI}		-1.0	—	1.0	μA		
Output leakage current	I_{LO}		-3.0	—	3.0	μA		
Liquid Crystal Driver ON Resistance	R_{ON}	$T_a = 25^{\circ}\text{C}$ (Relative to V_{SS})	$V_{OUTIN} = 13.0\text{ V}$	—	2.0	—	K Ω	SEGN COMn *6
			$V_{OUTIN} = 8.0\text{ V}$	—	3.2	—		
Frame frequency	FR		65.7	73	80.3	Hz		

Item	Symbol	Condition	Rating			Units	Applicable Pin	
			Min.	Typ.	Max.			
Internal Power	Input voltage	V_{DD1}	(Relative To V_{SS})	1.7	—	3.3	V	
	Supply Step-up output voltage Circuit	V_{OUTOUT}	(Relative To V_{SS})	4.5	—	13.5	V	V_{OUTOUT}
	Voltage regulator Circuit Operating Voltage	V_{OUTIN}	(Relative To V_{SS})	4.5	—	13.5	V	V_{OUTIN}

ST7549T

Dynamic Consumption Current : During Display, with the Internal Power Supply ON Current consumed by total ICs(bare die)

Test pattern	Symbol	Condition	Rating			Units	Notes
			Min.	Typ.	Max.		
Display Pattern SNOW	ISS	VDD = 3.0 V, Booster X4 V0 – VSS = 9.0 V Bias=1/9	—	300	400	μA	
Power Down	ISS	Ta = 25°C	—	0.01	2	μA	
Display Pattern SNOW (Continues)	ISS	VDD = 3.0 V, Booster X4 V0 – VSS = 9.0 V Bias=1/9 Data write frequency: 1M Hz	—	350	450	μA	

Notes to the DC characteristics

1. The maximum possible VOUT voltage that may be generated is dependent on voltage, temperature and (display) load.
2. Internal clock
3. Power-down mode. During power down all static currents are switched off.
4. If external VOUT_{IN}, the display load current is not transmitted to I_{DD}.
5. V_{OUT} external voltage applied to VOUT_{IN} pin; VOUT_{IN} disconnected from VOUT_{OUT} (no connect)

14. TIMING CHARACTERISTICS

System Bus Read/Write Characteristics 1 (For the 8080 Series MPU)

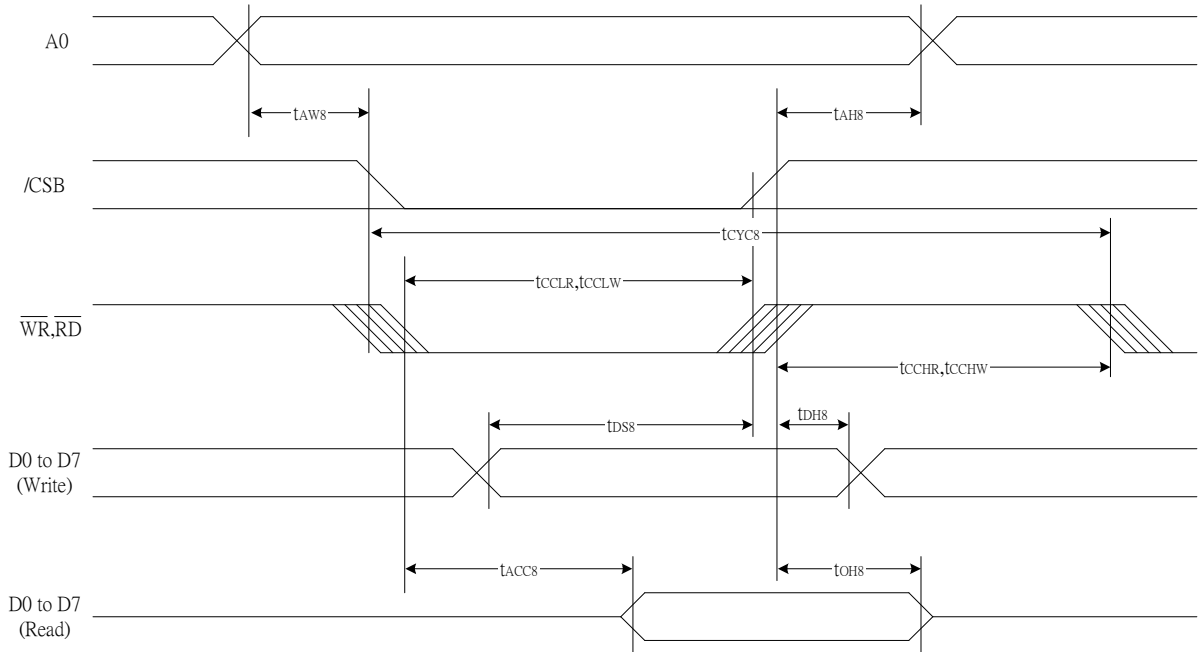


Figure 26.

(VDD = 3.3V , Ta = -30~85 °C)

Item	Signal	Symbol	Condition	Rating		Units
				Min.	Max.	
Address hold time	A0	tAH8		10	—	ns
Address setup time		tAW8		100	—	
System cycle time		tCYC8		400	—	
Enable L pulse width (WRITE)	WR	tCCLW		80	—	
Enable H pulse width (WRITE)		tCCHW		80	—	
Enable L pulse width (READ)	RD	tCCLR		140	—	
Enable H pulse width (READ)		tCCHR		80	—	
WRITE Data setup time	D0 to D7	tDS8		80	—	
WRITE Address hold time		tDH8		10	—	
READ access time		tACC8	CL = 100 pF	—	70	
READ Output disable time		tOH8	CL = 100 pF	10	50	

(VDD = 2.8V, Ta = -30~85°C)

Item	Signal	Symbol	Condition	Rating		Units
				Min.	Max.	
Address hold time	A0	tAH8		15	—	ns
Address setup time		tAW8		150	—	
System cycle time		tCYC8		600	—	
Enable L pulse width (WRITE)	WR	tCCLW		220	—	
Enable H pulse width (WRITE)		tCCHW		180	—	
Enable L pulse width (READ)	RD	tCCLR		220	—	
Enable H pulse width (READ)		tCCHR		180	—	
WRITE Data setup time	D0 to D7	tDS8		120	—	
WRITE Address hold time		tDH8		15	—	
READ access time		tACC8	CL = 100 pF	—	140	
READ Output disable time		tOH8	CL = 100 pF	10	100	

(VDD = 1.8V, Ta = -30~85°C)

Item	Signal	Symbol	Condition	Rating		Units
				Min.	Max.	
Address hold time	A0	tAH8		30	—	ns
Address setup time		tAW8		200	—	
System cycle time		tCYC8		1000	—	
Enable L pulse width (WRITE)	WR	tCCLW		360	—	
Enable H pulse width (WRITE)		tCCHW		280	—	
Enable L pulse width (READ)	RD	tCCLR		360	—	
Enable H pulse width (READ)		tCCHR		280	—	
WRITE Data setup time	D0 to D7	tDS8		200	—	
WRITE Address hold time		tDH8		30	—	
READ access time		tACC8	CL = 100 pF	—	240	
READ Output disable time		tOH8	CL = 100 pF	10	200	

*1 The input signal rise time and fall time (tr, tf) is specified at 15 ns or less. When the system cycle time is extremely fast, (tr + tf) ≤ (tCYC8 – tCCLW – tCCHW) for (tr + tf) ≤ (tCYC8 – tCCLR – tCCHR) are specified.

*2 All timing is specified using 20% and 80% of VDD as the reference.

*3 tCCLW and tCCLR are specified as the overlap between CSB being “L” and WR and RD being at the “L” level.

System Bus Read/Write Characteristics 1 (For the 6800 Series MPU)

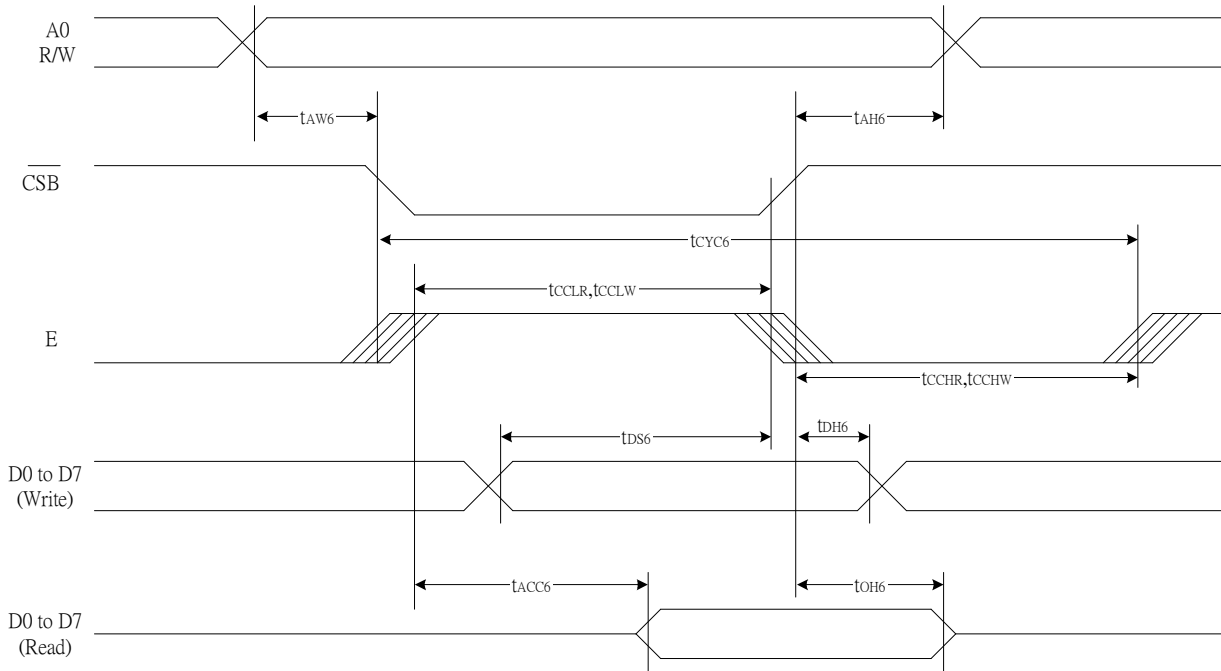


Figure 27.

(VDD = 3.3V, Ta = -30~85°C)

Item	Signal	Symbol	Condition	Rating		Units
				Min.	Max.	
Address hold time	A0	tAH6		10	—	ns
Address setup time		tAW6		80	—	
System cycle time		tCYC6		240	—	
Enable L pulse width (WRITE)	WR	tEWLW		80	—	
Enable H pulse width (WRITE)		tEWHW		80	—	
Enable L pulse width (READ)	RD	tEWLR		80	—	
Enable H pulse width (READ)		tEWHR		140	—	
WRITE Data setup time	D0 to D7	tDS6		80	—	
WRITE Address hold time		tDH6		10	—	
READ access time		tACC6	CL = 100 pF	—	70	
READ Output disable time		tOH6	CL = 100 pF	10	50	

(VDD = 2.8V , Ta = -30~85°C)

Item	Signal	Symbol	Condition	Rating		Units
				Min.	Max.	
Address hold time	A0	tAH6		15	—	ns
Address setup time		tAW6		100	—	
System cycle time		tCYC6		400	—	
Enable L pulse width (WRITE)	WR	tEVLW		220	—	
Enable H pulse width (WRITE)		tEWHW		180	—	
Enable L pulse width (READ)	RD	tEWLR		220	—	
Enable H pulse width (READ)		tEWHR		180	—	
WRITE Data setup time	D0 to D7	tDS6		120	—	
WRITE Address hold time		tDH6		15	—	
READ access time		tACC6	CL = 100 pF	—	140	
READ Output disable time		tOH6	CL = 100 pF	10	100	

(VDD = 1.8V , Ta = -40~85°C)

Item	Signal	Symbol	Condition	Rating		Units
				Min.	Max.	
Address hold time	A0	tAH6		30	—	ns
Address setup time		tAW6		150	—	
System cycle time		tCYC6		640	—	
Enable L pulse width (WRITE)	WR	tEVLW		360	—	
Enable H pulse width (WRITE)		tEWHW		280	—	
Enable L pulse width (READ)	RD	tEWLR		360	—	
Enable H pulse width (READ)		tEWHR		280	—	
WRITE Data setup time	D0 to D7	tDS6		200	—	
WRITE Address hold time		tDH6		30	—	
READ access time		tACC6	CL = 100 pF	—	240	
READ Output disable time		tOH6	CL = 100 pF	10	200	

*1 The input signal rise time and fall time (tr, tf) is specified at 15 ns or less. When the system cycle time is extremely fast, (tr + tf) ≤ (tCYC6 – tEVLW – tEWHW) for (tr + tf) ≤ (tCYC6 – tEWLR – tEWHR) are specified.

*2 All timing is specified using 20% and 80% of VDD as the reference.

*3 tEVLW and tEWLR are specified as the overlap between CSB being “L” and E.

SERIAL INTERFACE(4-Line Interface)

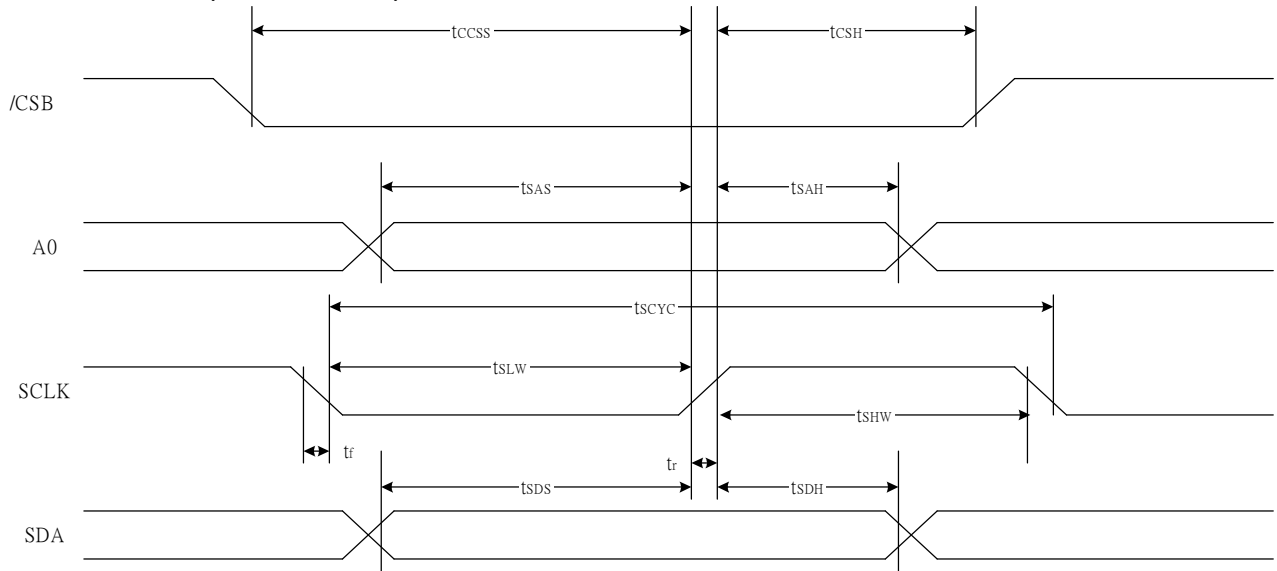


Fig 28.

(VDD = 3.3V , Ta = -30~85°C)

Item	Signal	Symbol	Condition	Rating		Units
				Min.	Max.	
Serial Clock Period	SCL	tSCYC		150	—	ns
SCL "H" pulse width		tSHW		75	—	
SCL "L" pulse width		tSLW		75	—	
Address setup time	A0	tSAS		20	—	
Address hold time		tSAH		100	—	
Data setup time	SI	tSDS		20	—	
Data hold time		tSDH		10	—	
CS-SCL time	CSB	tCSS		20	—	
CS-SCL time		tCSH		140	—	

(VDD = 2.8V , Ta = -30~85°C)

Item	Signal	Symbol	Condition	Rating		Units
				Min.	Max.	
Serial Clock Period	SCL	tSCYC		300	—	ns
SCL "H" pulse width		tSHW		150	—	
SCL "L" pulse width		tSLW		150	—	
Address setup time	A0	tSAS		30	—	
Address hold time		tSAH		150	—	
Data setup time	SI	tSDS		30	—	
Data hold time		tSDH		20	—	
CS-SCL time	CSB	tCSS		30	—	
CS-SCL time		tCSH		200	—	

(V_{DD}=1.8V, Ta=-30~85°C)

Item	Signal	Symbol	Condition	Rating		Units
				Min.	Max.	
Serial Clock Period	SCL	tSCYC		500	—	ns
SCL "H" pulse width		tSHW		250	—	
SCL "L" pulse width		tSLW		250	—	
Address setup time	A0	tSAS		60	—	
Address hold time		tSAH		250	—	
Data setup time	SI	tSDS		60	—	
Data hold time		tSDH		50	—	
CS-SCL time	CSB	tCSS		40	—	
CS-SCL time		tCSH		350	—	

*1 The input signal rise and fall time (tr, tf) are specified at 15 ns or less.

*2 All timing is specified using 20% and 80% of VDD as the standard.

SERIAL INTERFACE(3-Line Interface)

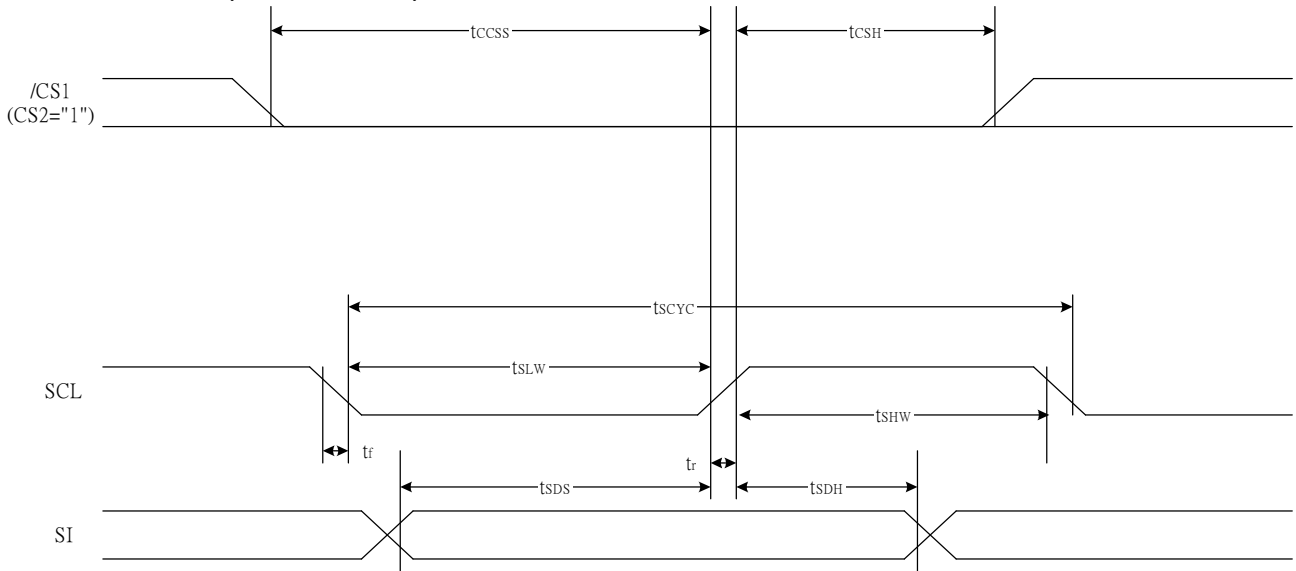


Fig 28.

($V_{DD}=3.3V, T_a=-30\sim 85^{\circ}C$)

Item	Signal	Symbol	Condition	Rating		Units
				Min.	Max.	
Serial Clock Period	SCL	tSCYC		150	—	ns
SCL "H" pulse width		tSHW		75	—	
SCL "L" pulse width		tSLW		75	—	
Data setup time	SI	tSDS		20	—	
Data hold time		tSDH		10	—	
CS-SCL time	CSB	tCSS		20	—	
CS-SCL time		tCSH		140	—	

($V_{DD}=2.8V, T_a=-30\sim 85^{\circ}C$)

Item	Signal	Symbol	Condition	Rating		Units
				Min.	Max.	
Serial Clock Period	SCL	tSCYC		300	—	ns
SCL "H" pulse width		tSHW		150	—	
SCL "L" pulse width		tSLW		150	—	
Data setup time	SI	tSDS		30	—	
Data hold time		tSDH		20	—	
CS-SCL time	CSB	tCSS		30	—	
CS-SCL time		tCSH		200	—	

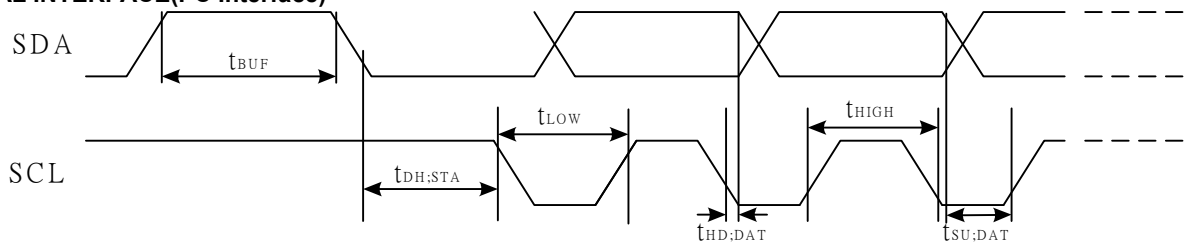
(V_{DD}=1.8V, Ta=-30~85°C)

Item	Signal	Symbol	Condition	Rating		Units
				Min.	Max.	
Serial Clock Period	SCL	tSCYC		500	—	ns
SCL "H" pulse width		tSHW		250	—	
SCL "L" pulse width		tSLW		250	—	
Data setup time	SI	tSDS		60	—	
Data hold time		tSDH		50	—	
CS-SCL time	CSB	tCSS		40	—	
CS-SCL time		tCSH		350	—	

*1 The input signal rise and fall time (tr, tf) are specified at 15 ns or less.

*2 All timing is specified using 20% and 80% of VDD as the standard.

SERIAL INTERFACE(I²C Interface)



(V_{DD}=3.3V, Ta=-30~85°C)

Item	Signal	Symbol	Condition	Rating		Units
				Min.	Max.	
SCL clock frequency	SCL	FSCLK		-	400	kHZ
SCL clock low period	SCL	TLOW		1.3	-	us
SCL clock high period	SCL	THIGH		0.6	-	us
Data set-up time	SI	TSU;Data		100	-	ns
Data hold time	SI	THD;Data		0	0.9	us
SCL,SDA rise time	SCL	TR		20+0.1Cb	300	ns
SCL,SDA fall time	SCL	TF		20+0.1Cb	300	ns
Capacitive load represented by each bus line		Cb		-	400	pF
Setup time for a repeated START condition	SI	TSU;SUA		0.6	-	us
Start condition hold time	SI	THD;STA		0.6	-	us
Setup time for STOP condition		TSU;STO		0.6	-	us
Tolerable spike width on bus		TSW		-	50	ns
BUS free time between a STOP and START condition	SCL	TBUF		1.3		us

15. RESET TIMING

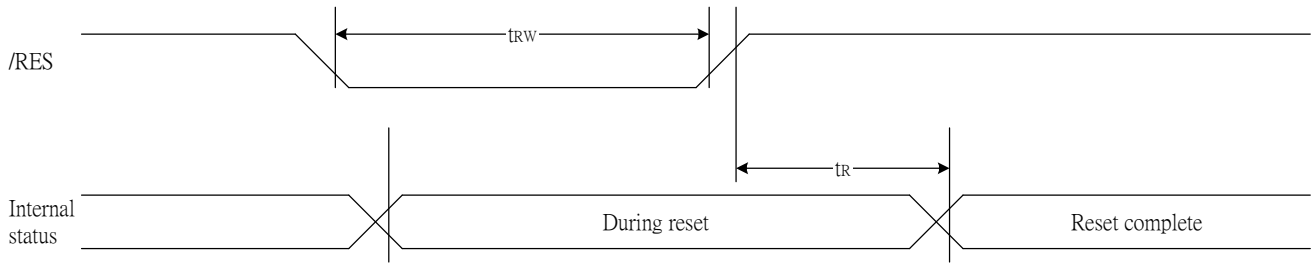


Fig 29.

(VDD = 3.3V , Ta = -30 to 85°C)

Item	Signal	Symbol	Condition	Rating			Units
				Min.	Typ.	Max.	
Reset time		tR		—	—	1	us
Reset "L" pulse width	RESB	tRW		1	—	—	us

(VDD = 2.8V , Ta = -30 to 85°C)

Item	Signal	Symbol	Condition	Rating			Units
				Min.	Typ.	Max.	
Reset time		tR		—	—	2.0	us
Reset "L" pulse width	RESB	tRW		2.0	—	—	us

(VDD = 1.8V , Ta = -30 to 85°C)

Item	Signal	Symbol	Condition	Rating			Units
				Min.	Typ.	Max.	
Reset time		tR		—	—	3.0	us
Reset "L" pulse width	RESB	tRW		3.0	—	—	us

APPLICATION NOTE

ST7549T

Resolution : 68(67COM+ICON)*102(SEG)

Interface : 6800 series

Internal analog circuit

Internal OSC

Booster : X5

Bias ratio default : 1/9

(bias ratio can be changed by instruction)

C=1.0 uF R=10 KΩ

OSC : Vdd

T8 : Vdd

T9 : Vdd

T10 : Vdd

T11 : Vss

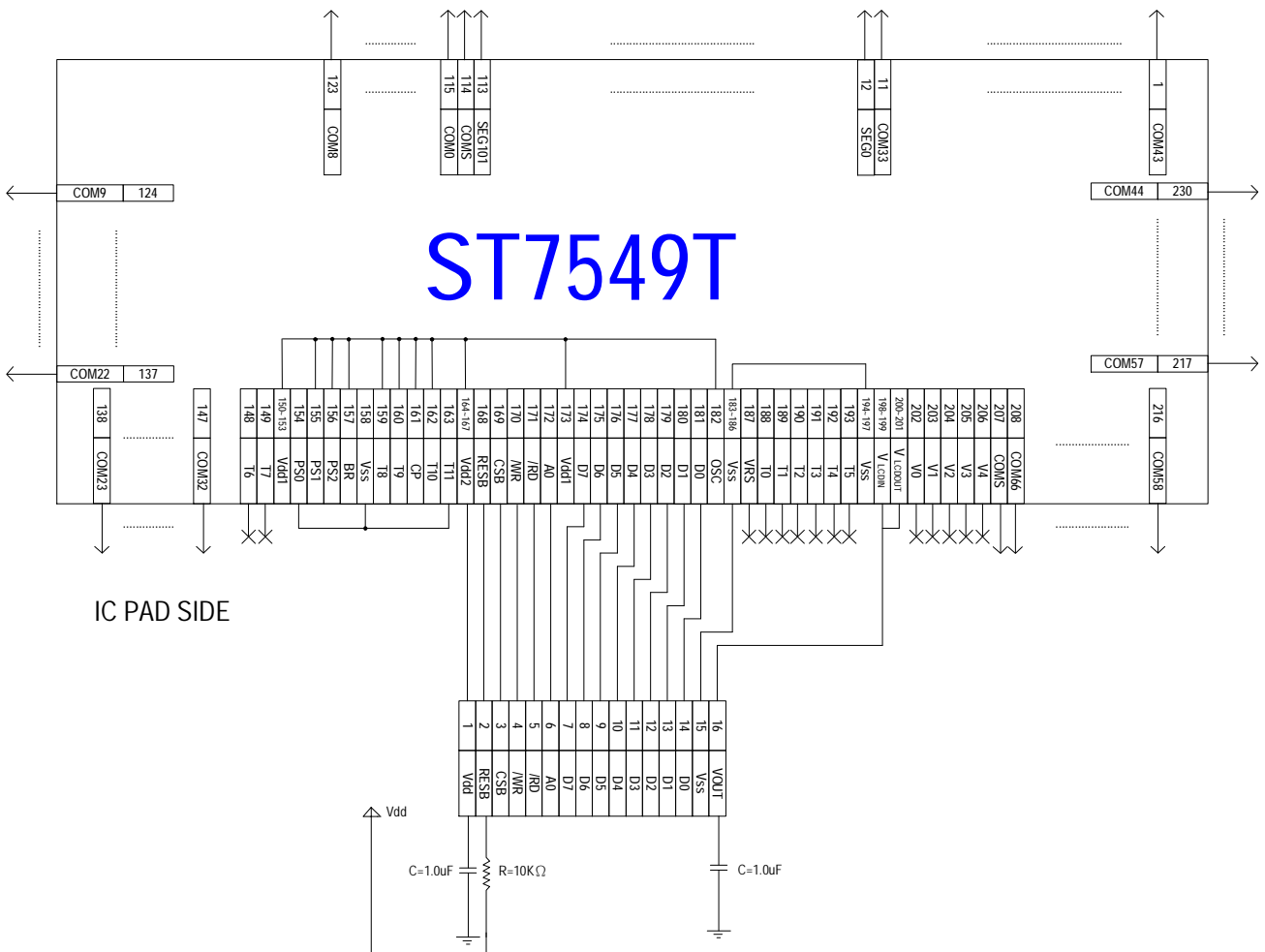
PS0 : Vss

PS1 : Vdd

PS2 : Vdd

CP : Vdd

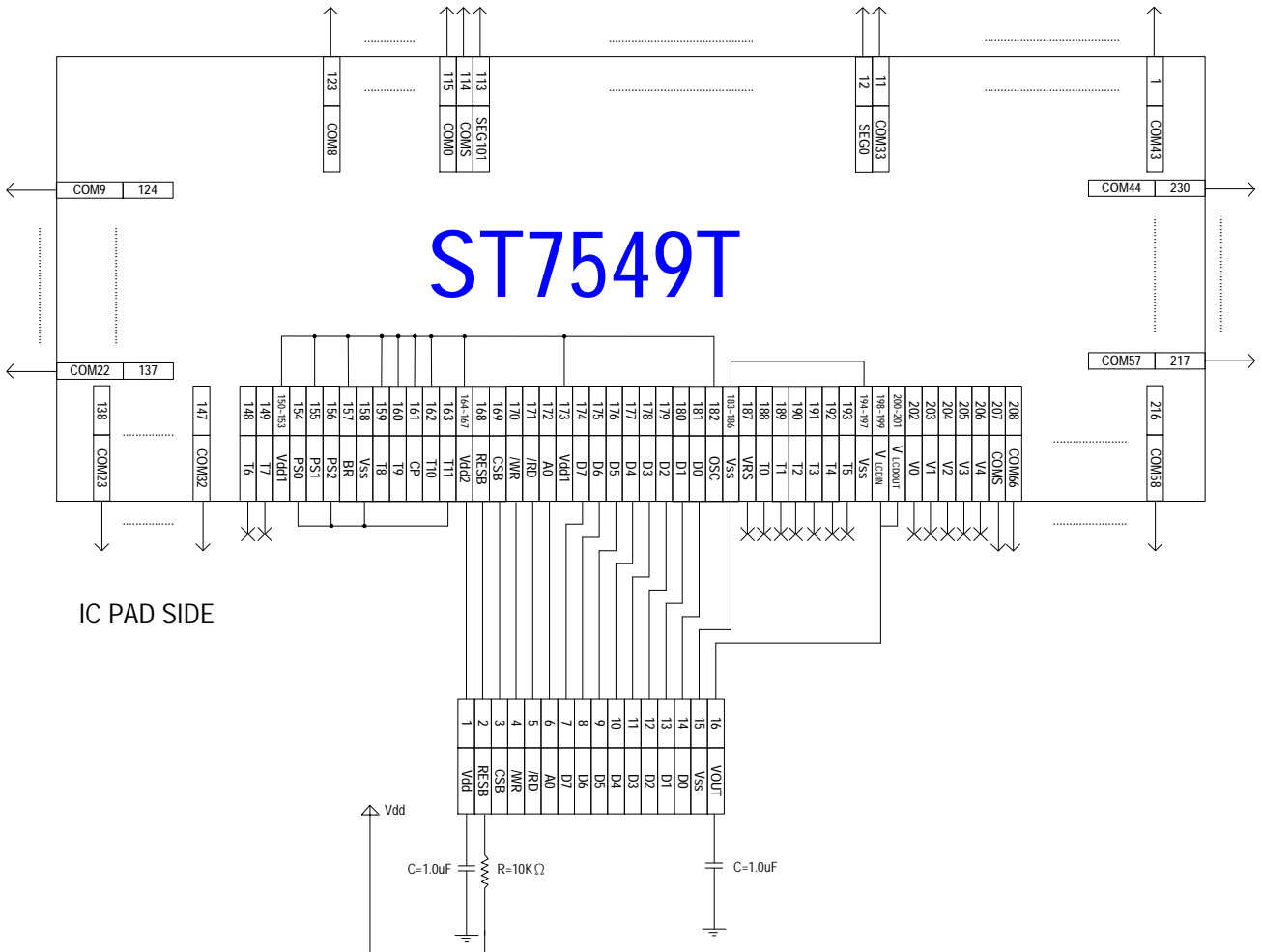
BR : Vdd



ST7549T

Resolution : 68(67COM+ICON)*102(SEG)
 Interface : 8080 series
 Internal analog circuit
 Internal OSC
 Booster : X5
 Bias ratio default : 1/9
 (bias ratio can be changed by instruction)
 C=1.0 uF

OSC : Vdd
 T8 : Vdd
 T9 : Vdd
 T10 : Vdd
 T11 : Vss
 PS0 : Vss
 PS1 : Vdd
 PS2 : Vss
 CP : Vdd
 BR : Vdd



ST7549T

Resolution : 68(67COM+ICON)*102(SEG)

Interface : 4-line

Internal analog circuit

Internal OSC

Booster : X5

Bias ratio default : 1/9

(bias ratio can be changed by instruction)

C=1.0 uF R=10 KΩ

OSC : Vdd

T8 : Vdd

T9 : Vdd

T10 : Vdd

T11 : Vss

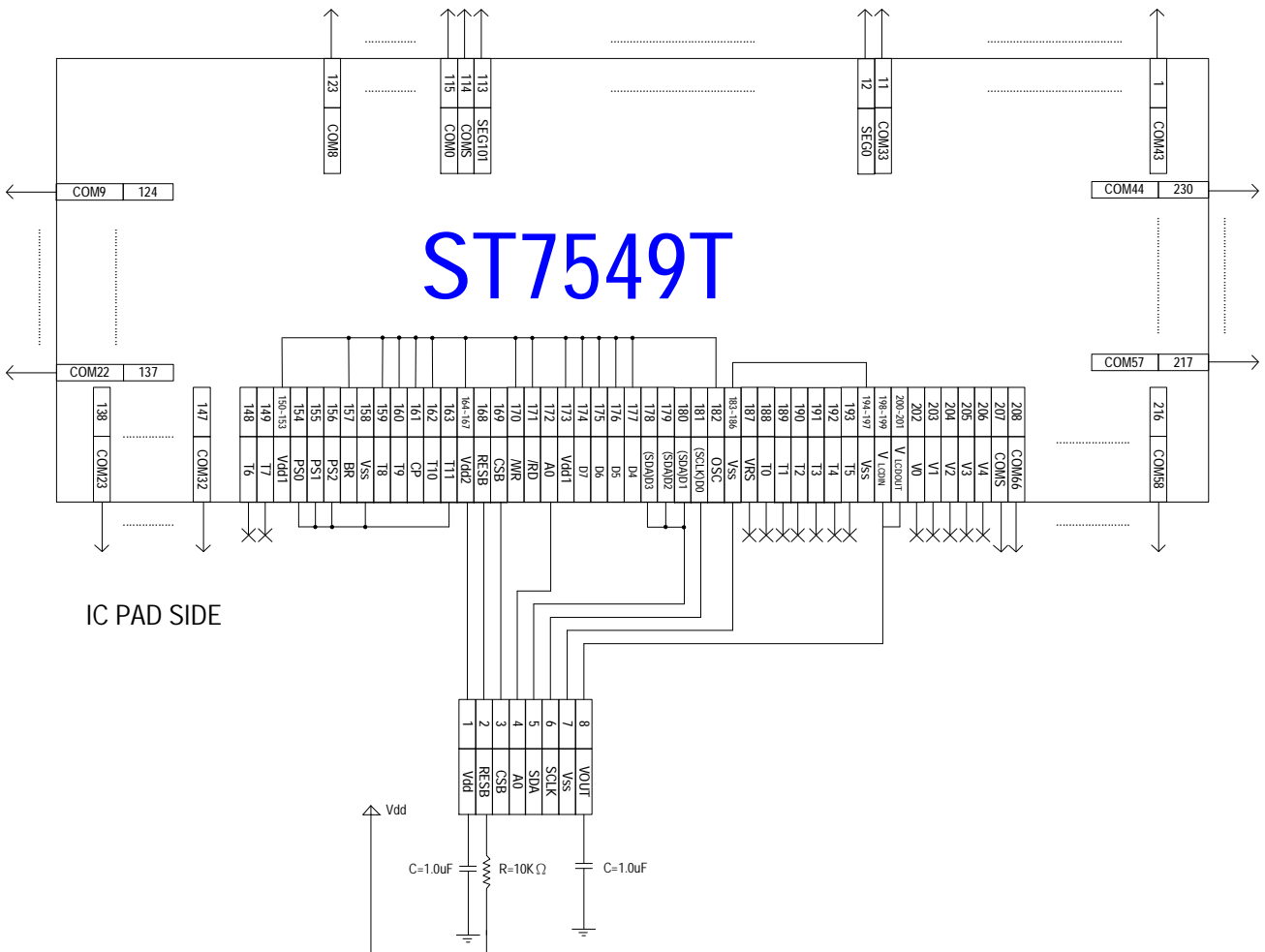
PS0 : Vss

PS1 : Vss

PS2 : Vss

CP : Vdd

BR : Vdd



ST7549T

Resolution : 68(67COM+ICON)*102(SEG)

Interface : 3-line

Internal analog circuit

Internal OSC

Booster : X5

Bias ratio default : 1/9

(bias ratio can be changed by instruction)

C=1.0 uF R=10 KΩ

OSC : Vdd

T8 : Vdd

T9 : Vdd

T10 : Vdd

T11 : Vss

PS0 : Vss

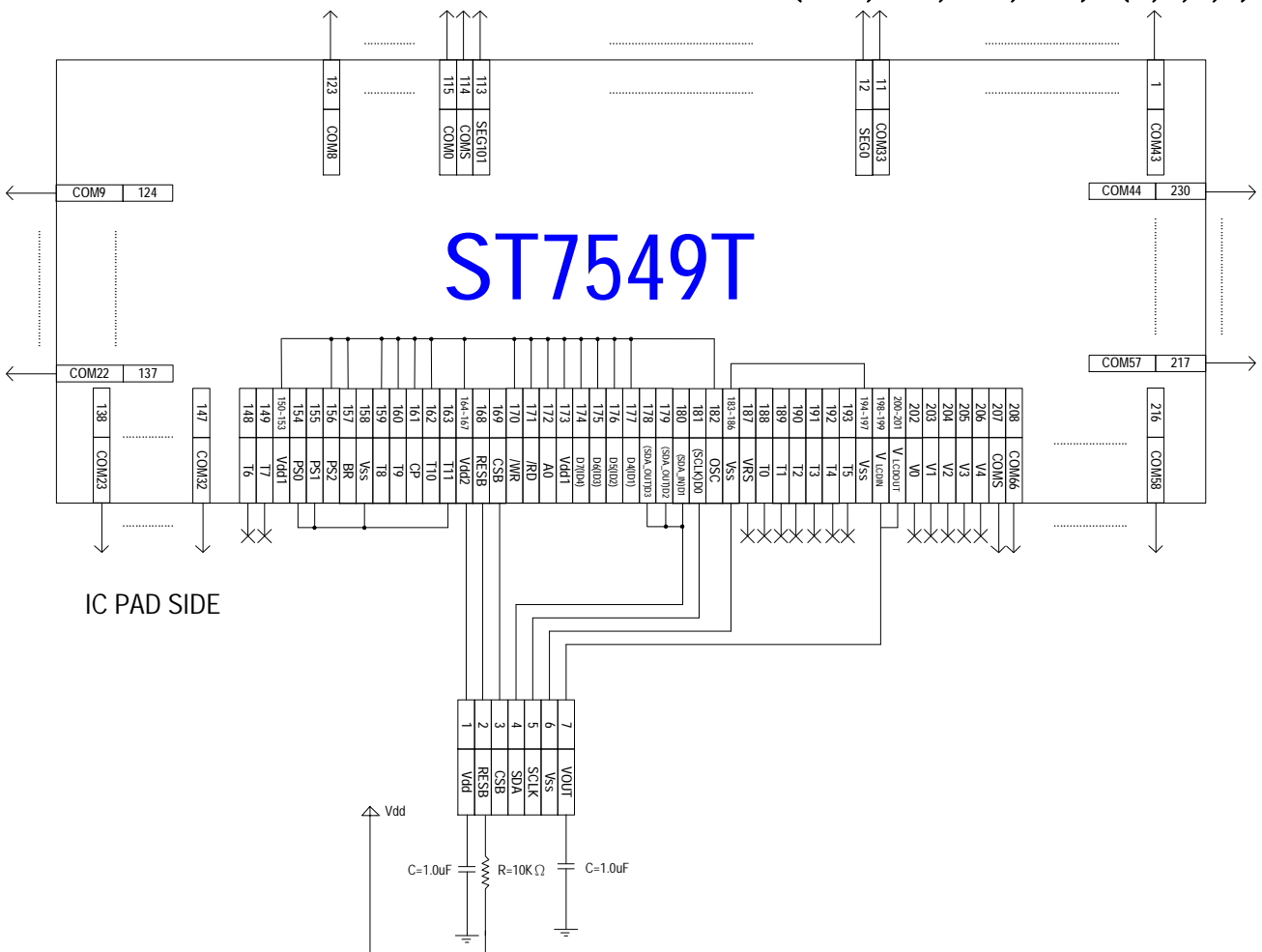
PS1 : Vss

PS2 : Vdd

CP : Vdd

BR : Vdd

(ID1,ID2,ID3,ID4)=(1,1,1,1)



ST7549T

Resolution : 68(67COM+ICON)*102(SEG)

Interface : I2C

Internal analog circuit

Internal OSC

Booster : X5

Bias ratio default : 1/9

(bias ratio can be changed by instruction)

SA[1:0]:= (0,0)

(SA[1:0] are slave address of I2C)

C=1.0 uF R=10 KΩ

OSC : Vdd

T8 : Vdd

T9 : Vdd

T10 : Vdd

T11 : Vss

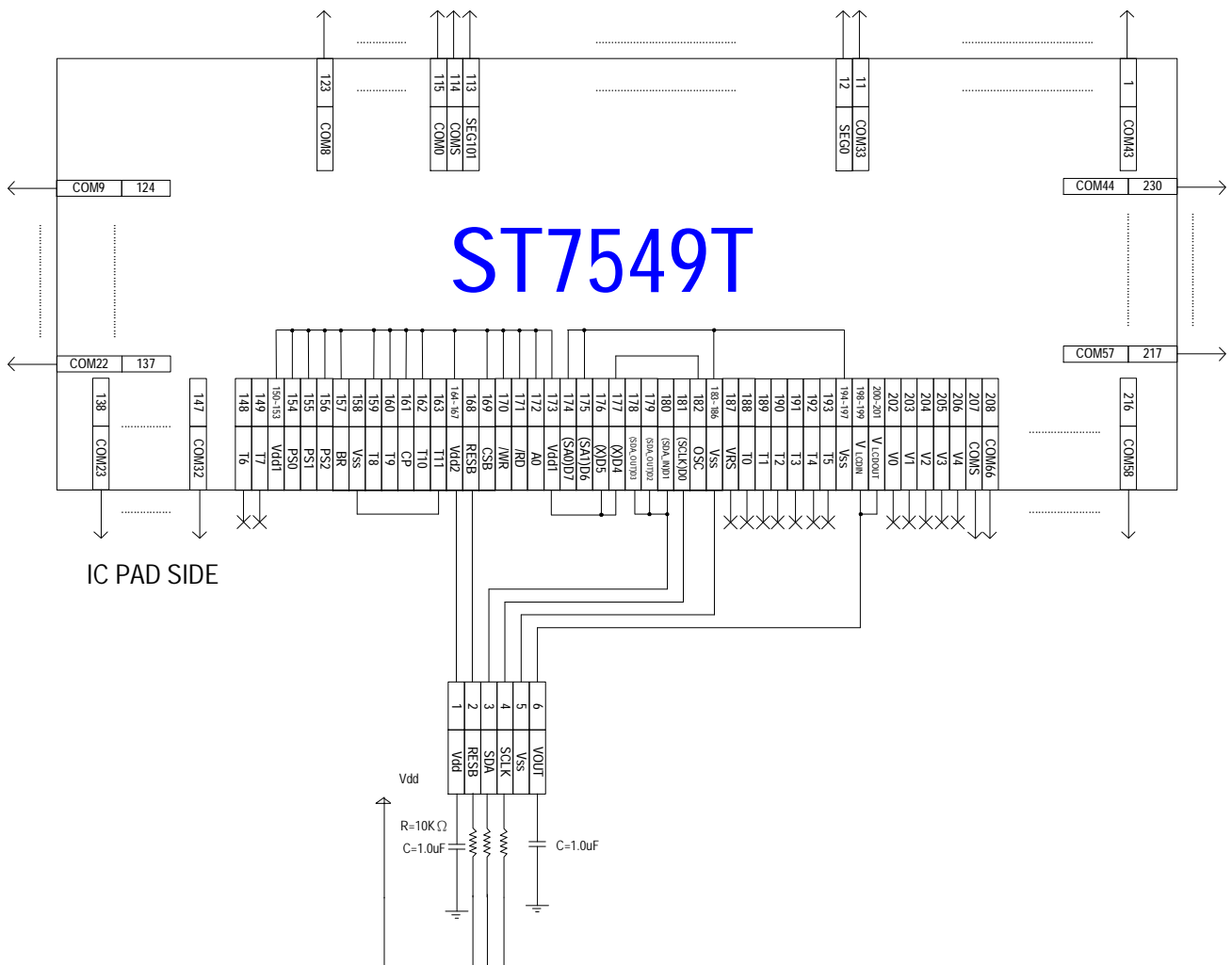
PS0 : Vdd

PS1 : Vdd

PS2 : Vdd

CP : Vdd

BR : Vdd



History

Version	History	Date
1.1	Change the IC thickness to 480um from version 1.1	2005/11/28
1.2	<ul style="list-style-type: none">● Modify function description● Modify V_{LCD}, V_0, V_{OP}, V_{OUT}	2005/11/30
1.3	<ul style="list-style-type: none">● Update Part Number to ST7459T-G2 (for thickness 480 um)● Add Frame Rate range.	2005/12/06